



INTERNATIONAL WARRANTY

This warranty is granted by PARKER® and applies in all countries other than the US and Canada, where a separate warranty applies. Your PARKER® writing instrument is guaranteed for two years from the date of original purchase against defects in materials or workmanship. If found to be defective within the warranty period, your PARKER® product will be repaired or replaced free of charge. This warranty does not cover routine maintenance, or damage resulting from the failure to maintain the product in accordance with instructions provided by PARKER®. This warranty also does not cover ordinary wear and tear arising from use of the product, or damage that may arise from accidental or intentional misuse or abuse, alteration or customization, or repair by unauthorized persons. This warranty also does not cover damage that is caused by the use of inks or refills other than those made by PARKER®. Except as provided herein and to the extent permitted by law, PARKER® makes no other warranties, express or implied, and PARKER® specifically excludes warranties of merchantability and fitness for a particular purpose. PARKER®'s liability under this warranty shall be limited to repair or replacement of the writing instrument and PARKER® shall not be responsible under this warranty for any damages and/or incidental or consequential damages, whether or not foreseeable, unless such damages result from the willful act or omission, or gross negligence, of PARKER®. Other rights and remedies controlled by applicable law are preserved. Some products may be out of production or may be unable to be repaired. In that circumstance, PARKER® reserves the right to substitute a product of comparable value and style. For service under this warranty, please return your pen to any authorized PARKER® service centre, along with proof of purchase, such as a dated receipt showing the purchase of the product claimed. This warranty gives you specific legal rights. You may also have other rights as a matter of law which vary from state to state and country to country and which are unaffected by this warranty, including (but not limited to) the legal warranties covering any consequences of defects whether or not visible in the product. **ATTENTION:** Pen caps can obstruct breathing. Keep out of mouth. This product is not intended for use by anyone under 14 years of age.

SPECIAL PROVISIONS FOR AUSTRALIA

The following provisions shall apply in addition to the INTERNATIONAL WARRANTY if the sale of the PARKER® product occurred in Australia. Our goods come with guarantees that cannot be excluded under the Australian Consumer Law. You are entitled to a replacement or refund for major failure and compensation for any other reasonably foreseeable loss or damage. You are also entitled to have the goods repaired or replaced if the goods fail to be of acceptable quality and the failure does not amount to a major failure. Any repair or replacement will be at PARKER®'s expense and free of charge to you. Refer to www.parkerpen.com to find your local service centre contact information.

LIMITED WARRANTY

This warranty is granted by PARKER® and applies in the US and Canada. Your PARKER® writing instrument is guaranteed for two years from the date of original purchase against defects in materials or WORKMANSHIP. If found to be defective within the warranty period, your PARKER® product will be repaired or replaced free of charge. This warranty may be extended by registering your PARKER® writing instrument at www.parkerpen.com.

This warranty does not cover routine maintenance, or damage resulting from the failure to maintain the product in accordance with instructions provided by PARKER®.

This warranty also does not cover ordinary wear and tear arising from use of the product, or damage that may arise from accidental or intentional misuse or abuse, alteration or customization, or repair by unauthorized persons. This warranty also does not cover damage that is caused by the use of inks or refills other than those made by PARKER®.

Except as provided herein, and to the extent permitted by law, PARKER® makes no other warranties, express or implied, and PARKER® specifically

excludes warranties of merchantability and fitness for a particular purpose. PARKER®'s liability under this warranty shall be limited to repair or replacement of the writing instrument and PARKER® shall not be responsible under this warranty for any damages and/or incidental or consequential damages, whether or not foreseeable.

Some products may be out of production or may be unable to be repaired. In that circumstance, PARKER® reserves the right to substitute a product of comparable value and style.

For service under this warranty, please return your pen to any authorized PARKER® service centre, along with the original guarantee certificate duly completed by an authorized dealer (or proof of purchase, such as a dated receipt showing the purchase of the product claimed). This warranty gives you specific legal rights. You may also have other rights as a matter of law which vary from state to state and country to country and which are unaffected by this warranty, including (but not limited to) the legal warranties covering any consequences of defects whether or not visible in the product.

ATTENTION: Pen caps can obstruct breathing. Keep out of mouth. This product is not intended for use by anyone under 14 years of age.

PARKER® ACCESSORIES AND AFTER SALES SERVICE

A full range of inks, refills, leads and erasers is available for use with PARKER® writing instruments and should always be used to ensure peak product performance. Service facilities are available through your local authorised service centres.

ADVICE ON USE AND MAINTENANCE

Periodically flush out your fountain pen with cold water.

To find out more: www.parkerpen.com

©2022 EUROPE BRANDS S.À.R.L.
NEWELL EUROPE SÀRL, 1214 VERNIER, SWITZERLAND

(UK) NEWELL RUBBERMAID UK SERVICES,
LICHFIELD, STAFFS, WS13 8SS, UK

(EU) NEWELL POLAND SERVICES, POZNAN 61-894, POLAND

DISTRIBUTED IN THE US BY/ DISTRIBUÉ AUX ÉTATSUNIS PAR:
NEWELL OFFICE BRANDS, 6655 PEACHTREE DUNWOODY
ROAD, ATLANTA, GA 30328 USA PK

We would love to hear from you/N'hésitez pas à nous contacter.
After Sales Service/Service AprèsVente : www.parkerpen.com

CONSUMER CARE

Austria: +431206091071

Netherlands: +31202061335

Belgium: +3222008267

Switzerland: +41445118340

UK: +442030276892/93

Italy: +390291483961

Germany: +4969380789901/02

Spain: +34912718151

Portugal: +351217810496

France: +33228032531

Poland: +48616398005

US: 8002378736

Canada: 18003877882
ext. 291 5729

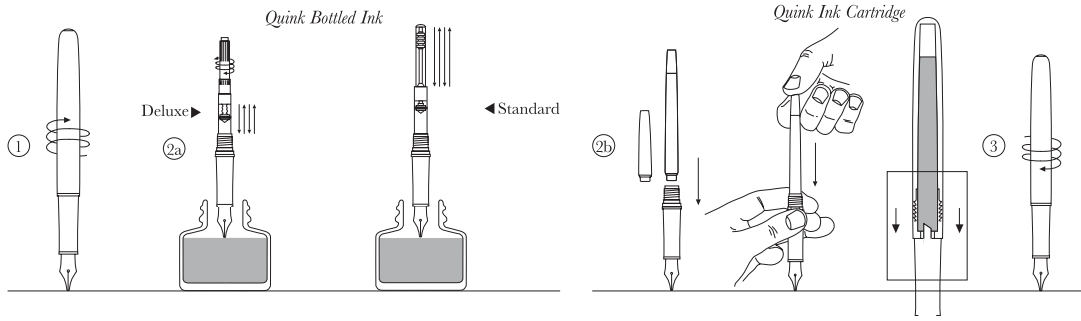
Australia: 1800 633 868

New Zealand: 0800 396 669

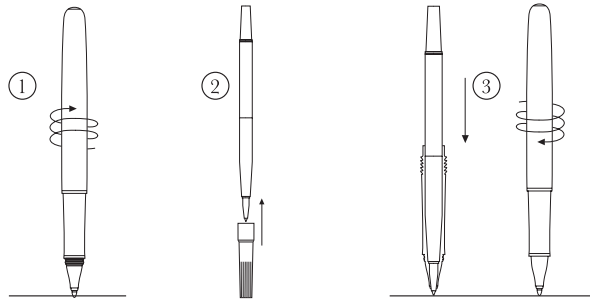
China: 4008213690

Latin America: 0800 200 1010

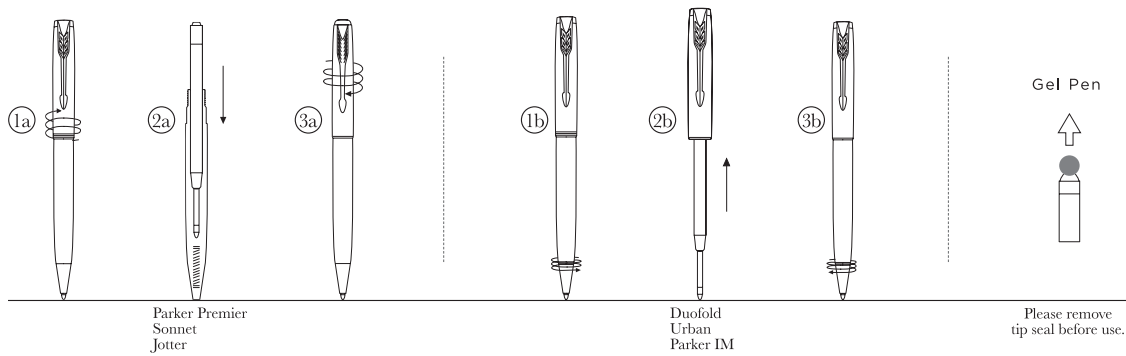
FOUNTAIN PEN



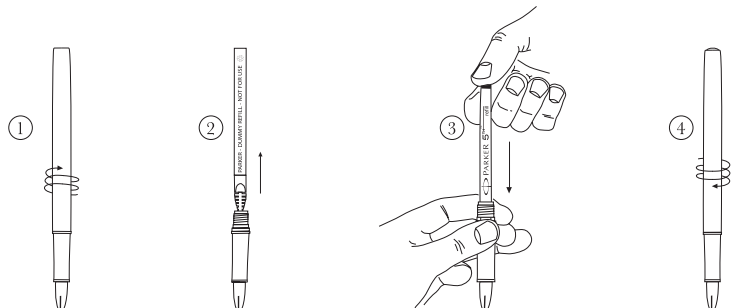
ROLLER



BALLPOINT / GEL PEN



PARKER 5TH™



PARKER

EST 1888