

oslo

curtain automation

SERIES 84



OSLO Series 84 Curtain Automation

Now automation technology provides push button lifestyle solutions for your home, apartment, office, hotel or villa...

Oslo Curtain Motors are designed to meet all the requirements of modern living. It's sleek design is coupled with ease of use and state of the art functions including electronic limit settings, built in wireless receiver and the ability to connect to your home or office network.

**5 YEAR
WARRANTY**

**POWERFUL
100kg CAPACITY**

**EASY
INSTALLATION**

Features

- Powerful 100 kilogram operating capacity
- Electronic Limits - Installation is easy as the electric limit is set when resistance is met. No more fiddley adjustments
- Touch Start - Pulling the curtain to close or open will automatically activate the motor
- Power Off Manual Operation - If the power is off the curtains can still be operated manually
- Built in Radio Receiver
- Silent Design
- Compatible & Multi-Functional - Built in Receiver compatible with a range of transmitters or integrates with home/office automation system
- Each motor is manufactured and tested to ISO 9001 Standards
- Manufacturer is ISO 14001 Environmentally Accredited

Functionality, power, automation, style & quietness...

Oslo Series 84 has it all, and the system is easy to install.

Straight or curved track

Both straight track and curved track are available to suit various applications and requirements.

Straight Track



Curved Track



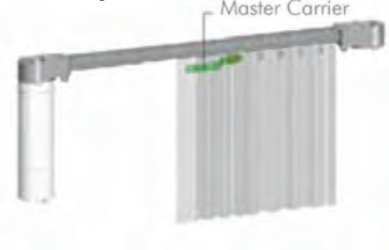
90° Bend Track | 300mm radius



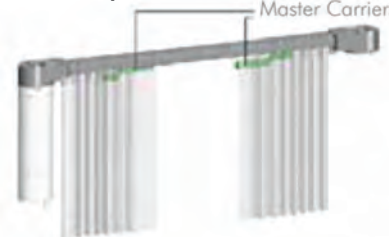
One-way Draw or Centre Open

Oslo Series 84 offers the option of either one-way draw or centre open for flexibility and style to suit any requirements.

One-way Draw

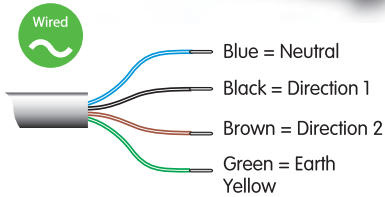
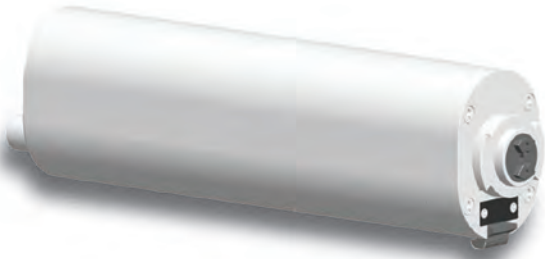


Centre Open



4-Core Curtain Motor

8402 - 100kg Curtain Motor 4-Core

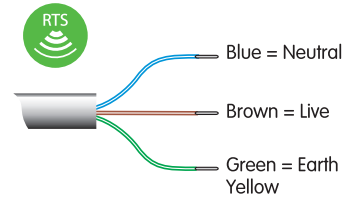


4-Core Motor

These motors can be used with building automation systems such as C-BUS and Dynalite etc.

RTS Curtain Motor

8401 - 100kg Curtain Motor RTS



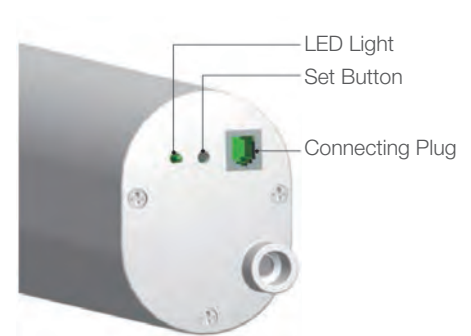
RTS Motor

The built in receiver means these motors can be used with a range of controllers

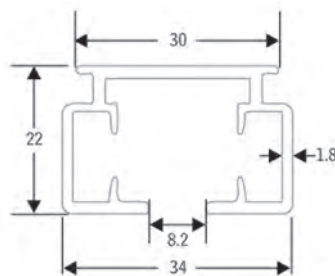
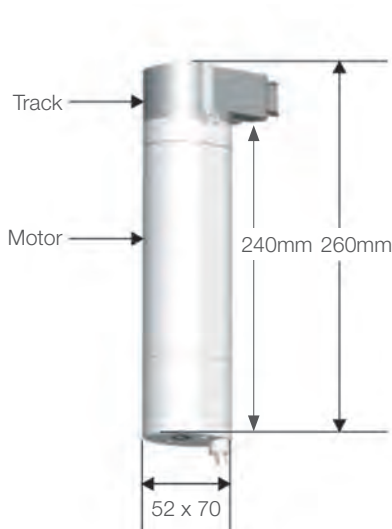
Technical Information

Specifications	8402 4-Core & 8401 RTS
Rated Curtain Weight	100 Kilograms
Rated Input Power	75 Watts
Open/close Speed	20 (cm/sec)
Input Rated Voltage	230 Volts
Frequency	50 Hertz
Rated Current	0.34 Amps
Running Time	4 Minutes
Protection Class	IP20
Maximum Range of Revolutions	∞
Motor Weight	1.1 Kilograms

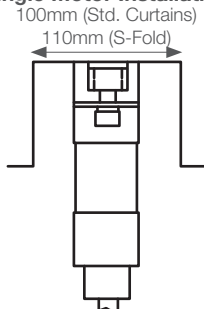
Motor Buttons



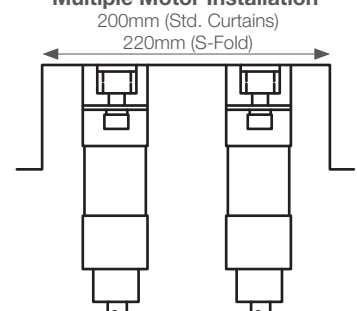
Track & Motor Dimensions



Single Motor Installation



Multiple Motor Installation

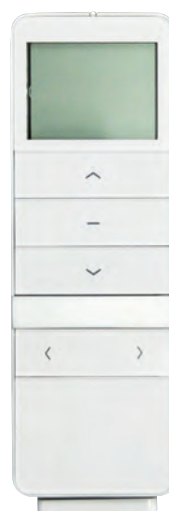


OSLO Series 84 Control System Solutions

Connect the Oslo Series 84 motors to a home/office automation system or use one the many elegant remote controls to manage the comfort of your rooms. The range of remote controls are designed to be easy to use and functional, whilst remaining discrete and attractive to suit any décor.

Hand Held & Wall Mounted RTS Solutions

- Specialty Curtain Motor Controller
- Double controller will operate both the sheer and block out curtains
- Each channel can control up to 20 receivers
- Battery usage life > 3 years
- Transmitter range: Outdoor 200 meters, indoor 35 meters
- Controller frequency: 433.92 MHz \pm 100KHz
- Controller power: 10mW -



Europe CE certificate



Europe wireless emission frequency certificate



ISO9001 quality management system certificate



ISO14000 environment management system certificate



Please note: Not all states carry the same product range.

Queensland

6/149 North Road
Woodridge QLD 4114
T 07 3208 5546
E sales@osloqld.com.au

Victoria

4/10 Centre Road
Hallam VIC 3803
T 03 9703 1155
E trackco@tpg.com.au

South Australia

11/22 Ware Street
Thebarton SA 5031
T 08 8352 7688
E ijs@m2data.com.au

New Zealand

18 Darragh Road, Feilding
T +64 6 353 0444
E david@oslo.co.nz

New South Wales

9/19 Chifley Street
Smithfield NSW 2164
T 02 9725 5277
E info@oslonsw.com.au

Tasmania

7 Chesterman Street
Moonah TAS 7009
T 03 6272 3400
E helen.armstrong@sanptyltd.com

Western Australia

3/17 Gibberd Road
Balcatta WA 6021
T 08 9240 1234
E orders@traxwest.com.au

