

# Series 8000 Motorised Track



## Series 8000 Quoting

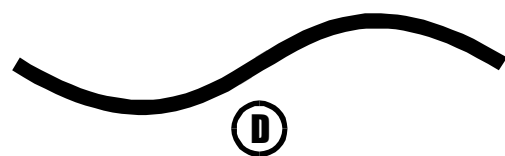
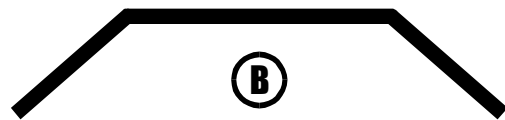
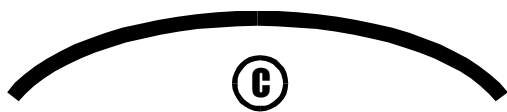
To make pricing of motorised tracks easy we are able to quickly give you a price for any system over the phone. Simply contact the office with the following information:

1. Finished track length
2. Curtain fullness or weight  
e.g. medium heavy
3. Bracketing -face fix or ceiling fix
4. Type of switching - Standard in line switch  
Radio remote  
C-BUS computer control

It's as simple as that!



## Series 8000 Track Bending



A. & B. can be bent to 90 degrees on a minimum of 350mm radius.

C. & D. can be bent on a continuous curve.

# Series 8000

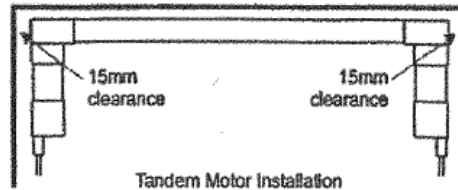
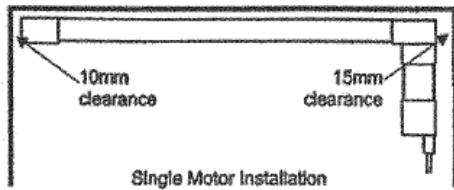
## Pelmet Fitting Dimensions



### Overall Track Length

To allow for the installation of motors onto the track, the overall length of the track must be shorter than the wall to wall measurements, and inside pelmets, by the following amounts.

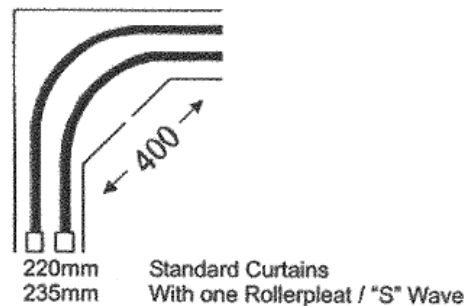
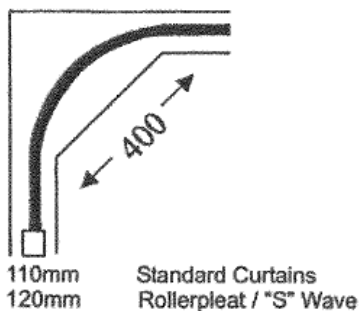
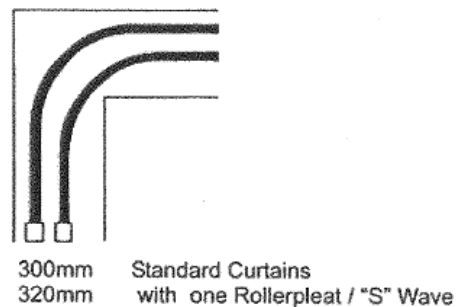
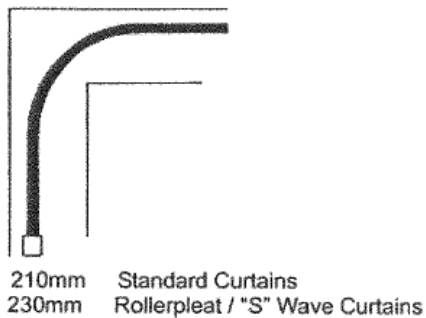
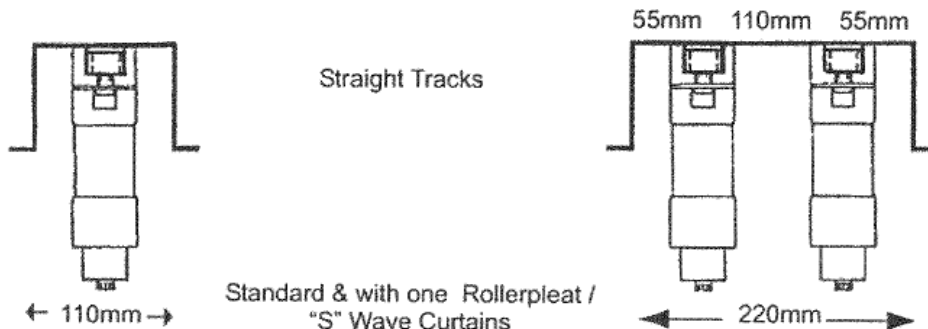
Single motor track – less 25mm  
 Tandem motor track – less 30mm

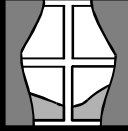


### Pelmet Measurements

The pelmet measurements below are a suggested minimum size for a standard weight curtains. Heavier curtains will require a larger pelmet.

Note: All measurements are given for a 350mm radius bend. Larger radius bends will require wider pelmets.





# Series 8000

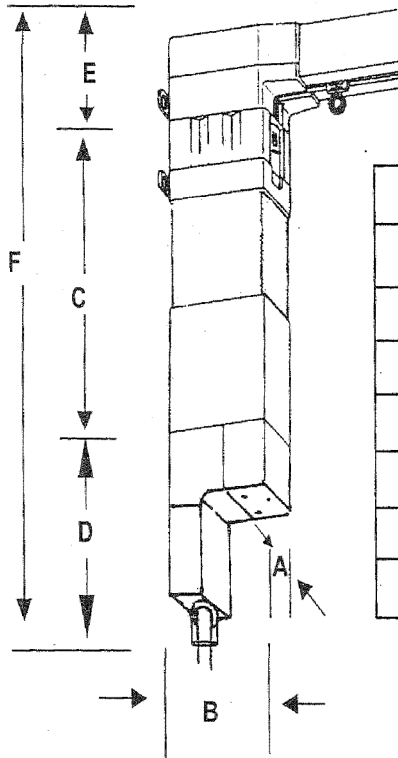
## Motorised Tracking System

	<p>8020 8020W</p>	<p>Silver White</p>	<p>Track Section 6.50m length Track Section 6.50m length</p>	
	<p>8002 8008 8009</p>		<p>45 Watt Motor 80 Watt Motor 80 Watt Drive &amp; Slave Motor Combination</p>	
	<p>8073</p>	<p>White</p>	<p>Drive Unit</p>	
	<p>8074</p>	<p>White</p>	<p>Idler Unit Small</p>	
	<p>8077</p>	<p>White</p>	<p>Drive Belt 100mtr</p>	
	<p>8031 8032</p>	<p>White White</p>	<p>Roller Carrier Standard (swivel) Roller Carrier Heavy Duty (non swivel)</p>	
	<p>8038 8039 8036 8037</p>	<p>Silver Silver Silver Silver</p>	<p>Master Carrier Short Arm Left Master Carrier Short Arm Right Master Carrier Long Arm Left Master Carrier Long Arm Right</p>	
	<p>8053W 8053 8053L 8053LW</p>	<p>White Silver Silver White</p>	<p>Ceiling Bracket Ceiling Bracket Ceiling Bracket with Lug Ceiling Bracket with Lug</p>	
	<p>8055 8055W</p>	<p>Silver White</p>	<p>Wall Bracket Wall Bracket</p>	



# Series 8000

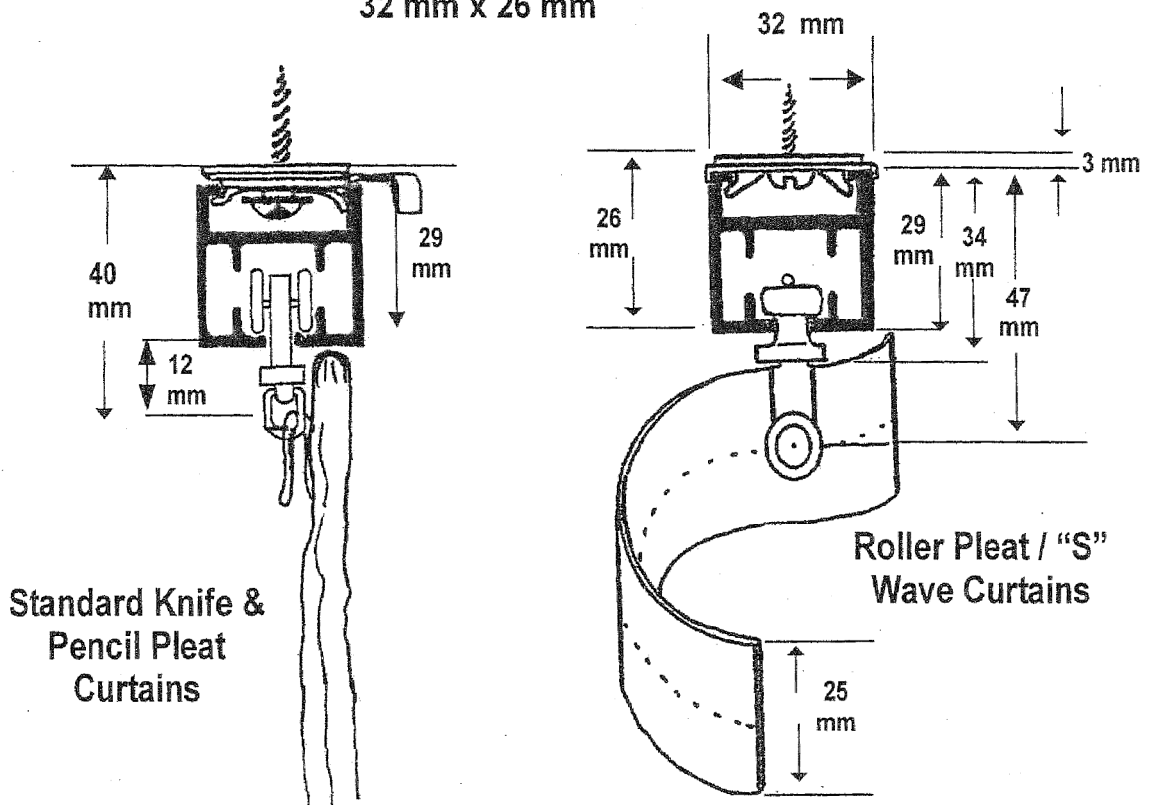
## Motor Dimensions



**MOTOR DIMENSIONS**

	30 Watt	45 Watt	60 Watt	80 Watt
A	50	50	50	50
B	60	60	60	60
C	200	230	230	260
D	70	70	70	70
E	40	40	40	40
F	310	340	340	370
Measurement in mm				

**TRACK DIMENSIONS**  
32 mm x 26 mm

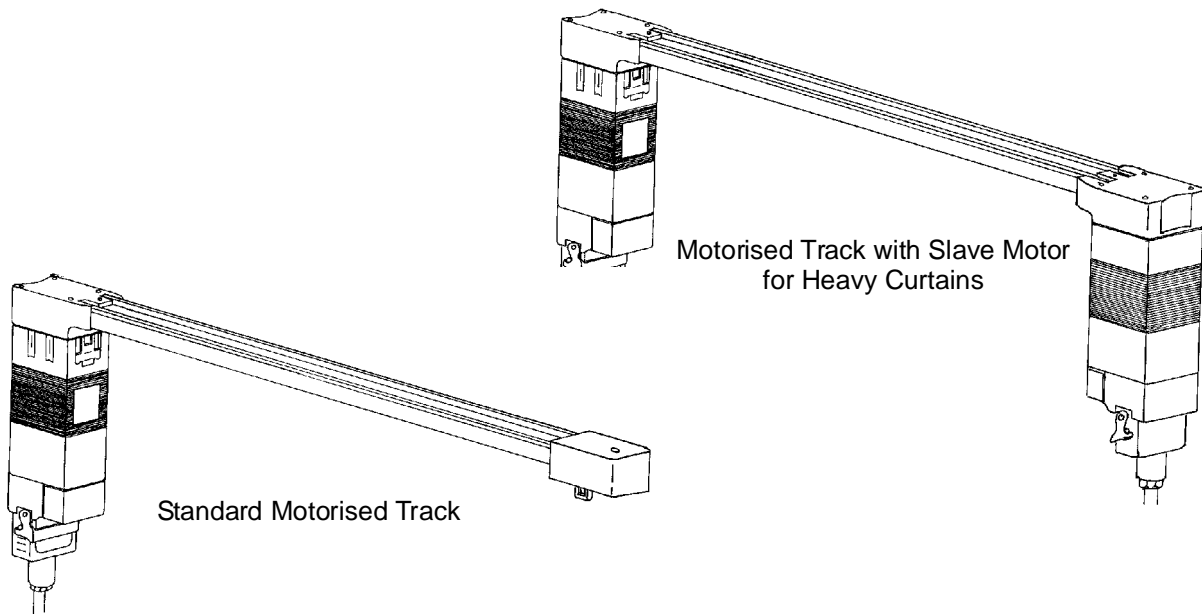


**Standard Knife & Pencil Pleat Curtains**

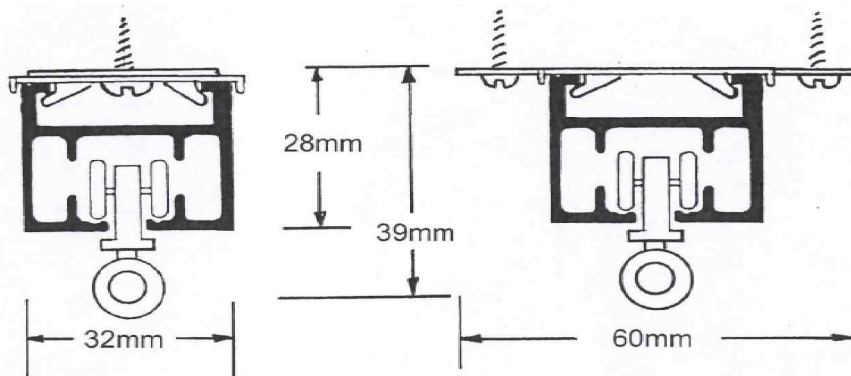
**Roller Pleat / "S" Wave Curtains**

# Series 8000

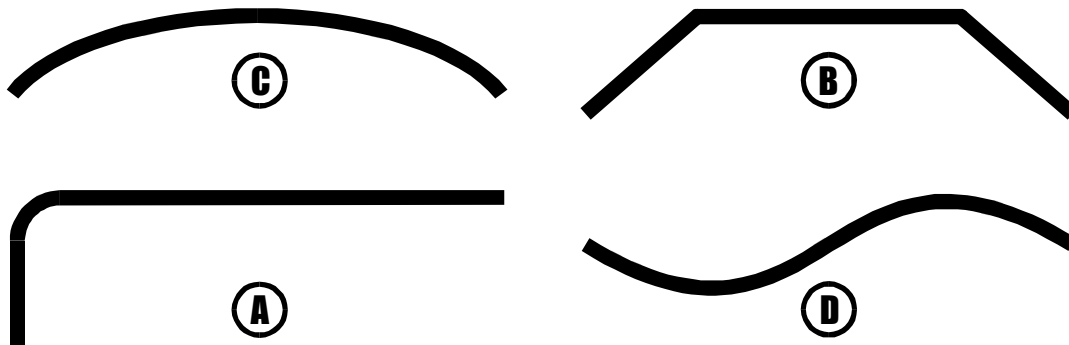
## Motorised Tracking System



### Bracket Dimensions



### Track Bending



A. & B. can be bent to 90 degrees on a minimum 350mm radius.  
C. & D. can be bent on a continuous curve.