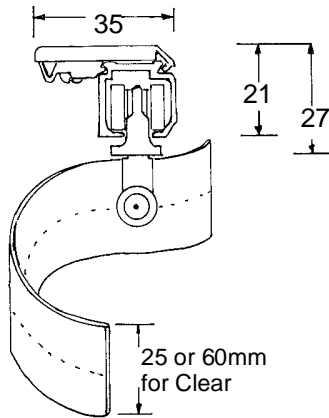


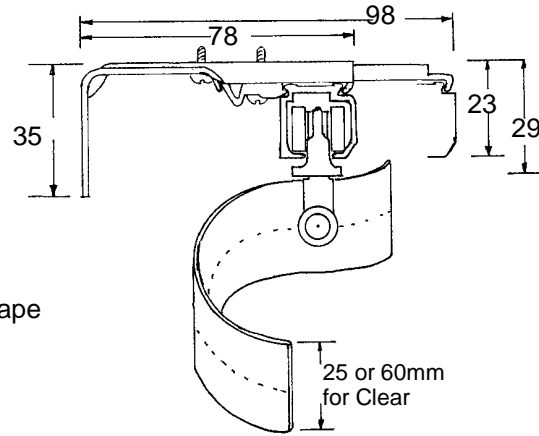


Bracket Dimensions



Small Ceiling Bracket
No 5253

Snap Tape
or
Clear Pocket Tape

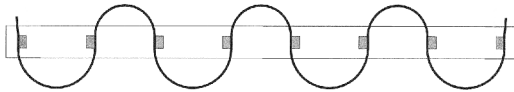


Single Centre Support Bracket
No 5255

S-Fold Layout Options

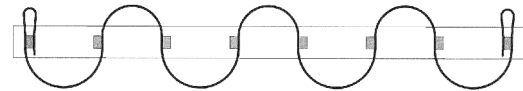
OPTION 1. Simple System

Simple System $\frac{1}{2}$ +Clear Wave Tape



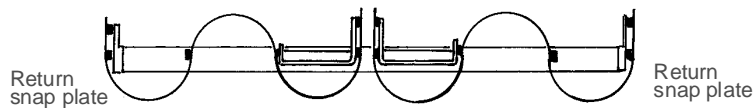
For the Clear Wave Tape the curtain does not return onto the 1st or Last Hook.

Simple System $\frac{1}{2}$ +Snap Tape



For the Snap Tape the Tape wraps around the 1st & Last Pendant.

OPTION 2. Using Return End Plates and Butt Master



Both ends return along the end snap plates. The drapes meeting in the centre are both facing each other giving a neat finish

OPTION 3. Cord Drawn