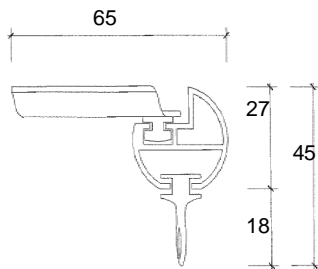
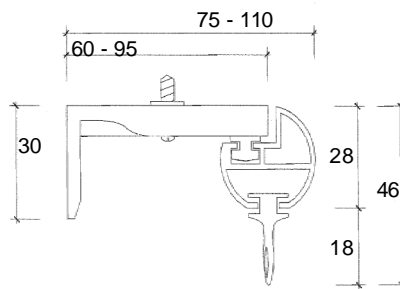


Series 65

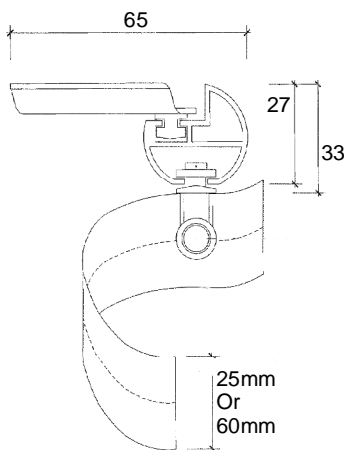
Bracket Dimensions



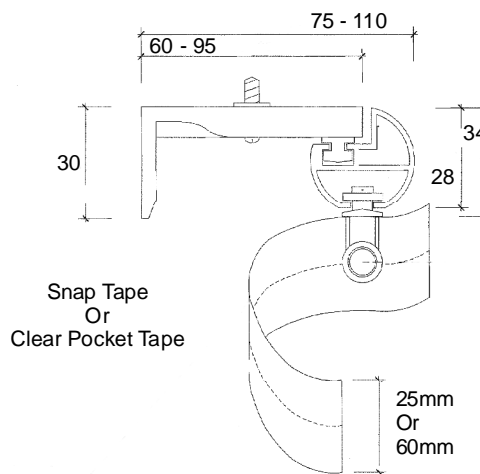
Chadwick Glider
Top Fix Section



Chadwick Glider
Face Fix Section



Chadwick S-Fold
Top Fix Section

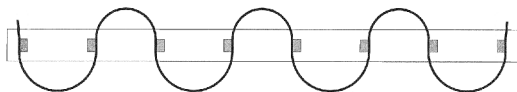


Chadwick S-Fold
Face Fix Section

Snap Tape
Or
Clear Pocket Tape

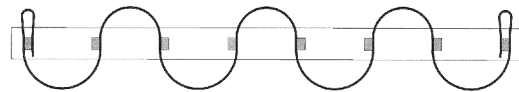
S-Fold Layouts

Simple System **A**+Clear Wave Tape



For the Clear Wave Tape the curtain does not return onto the 1st or Last Hook.

Simple System **B**+Snap Tape



For the Snap Tape the Tape wraps around the 1st & Last Pendant.