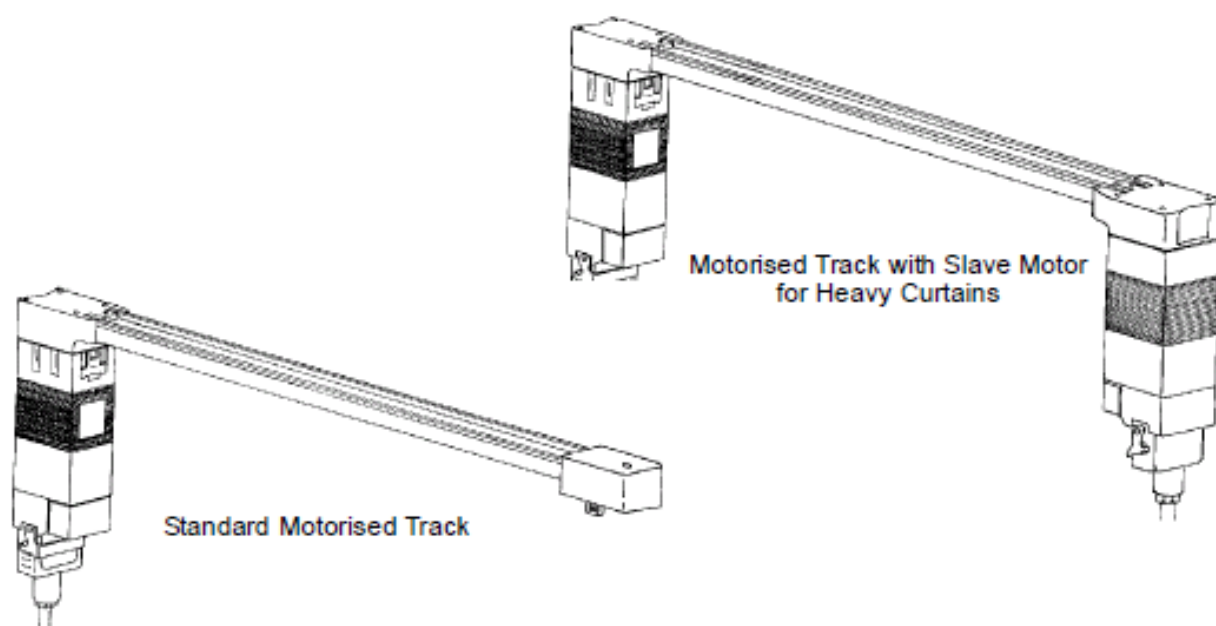


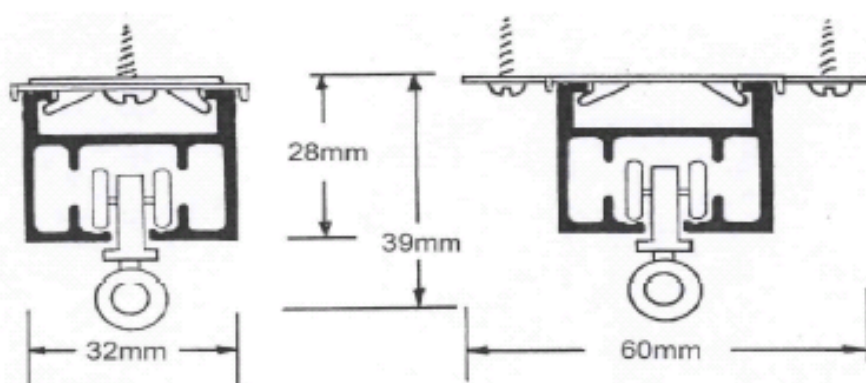
Series 8000

Motorised Tracking System

oslo
draperyhardware



Bracket Dimensions



Track Bending



A. & B. can be bent to 90 degrees on a minimum 350mm radius.
C. & D. can be bent on a continuous curve.