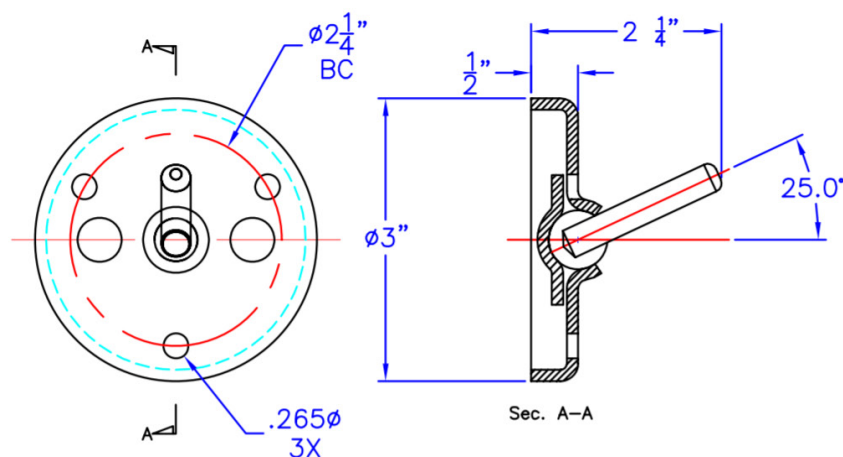
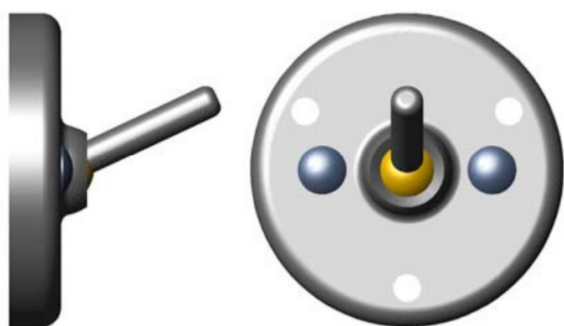




Technical Data/Install Guide Security Towel Hook, Exposed Mount

119773



Construction:

Flange: 11 gauge x 3" diameter type 304 stainless steel
Hook: 5/16" diameter stainless steel rod with pivoting ball joint that releases under excessive load.

Operation:

Hook with pivoting ball joint releases when excessive load is applied.
The hook can be rested by hand when required.

Installation:

Use flange to mark holes at desired height.
Flange has [3] mounting holes to receive 14 G x 1 1/2 Resytork Self Taper Screws
[requires T30 Drive Not Provided]

Caution: unit is only as strong as the anchoring devices and the wall in which it is mounted to.

Guide Specification:

Exposed mount security towel hook.
Hook releases when excessive load is applied.
Hook is reset when required.
One piece construction.
Satin #4 finish



ABOUT HIPAC

We are an Australian healthcare company that guarantees to stand behind all our medical products, both manufactured and imported, because we're here for the life of our products and clients.

PO Box 797, 36 Long St. Goulburn NSW 2580, Australia
P. +61 2 4823 0000 E. info@hipac.com.au

SYDNEY | MELBOURNE | BRISBANE | ADELAIDE | PERTH

hipac.com.au

ABN 27 600 353 688