



## Single Variable-Focus 24" LED Surgical Light Fixture

Aurora Four

AUA5 AUA5TV

### Technical Data

Fixture Weight: 55 kg

Moment Load: 576 N'm

Minimum Ceiling Height: 2531mm

Maximum Ceiling Height: 3151mm

Electrical: 100-240VAC, 95-175VA, 50/60 Hz, 1 phase

Max Intensity at 1 meter [lux]: @4100K = 160,000  
@4500K = 140,500

CRI: @4100K = 95 @4500K = 96

Color Temperature: @4100K @4500K

Total Irradiance [watts/m<sup>2</sup>]: @4100K = 532.3  
@4500K = 475.9

R9: @4100K = 91 @4500K = 95



Model AUA5

### Architectural Specification

The Aurora Four surgical lighting system consists of a ceiling mounted single radial arm system with a 24" [610mm] diameter lighthead. Continuous 360° rotation is provided at all fixture rotation points.

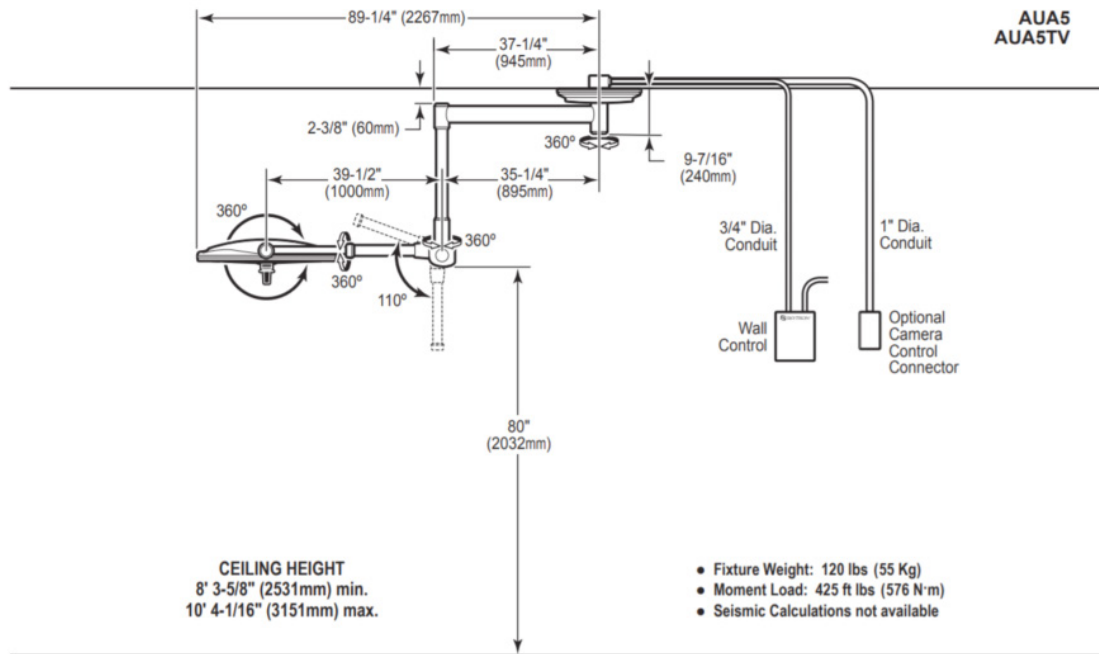
Standard lighthead is equipped with a sterilizable center handle that allows surgeon control of lighthead positioning, focus and intensity. A focus knob and positioning handles are provided on the side of the lighthead for non-sterile control.

The 24" [610mm] lighthead contains 5 focusable LED pods. Each focusable pod contains 7 individual LEDs with VSRD reflector technology. Lighthead also contains 12 fixed focus center mounted LEDs. Total system output is 160,000 lux at a color temperature of 4,100K. LED life expectancy is 40,000 hours.

SKYTRON Aurora Four series, model AUA5 or AUA5TV.



## Product Elevation View

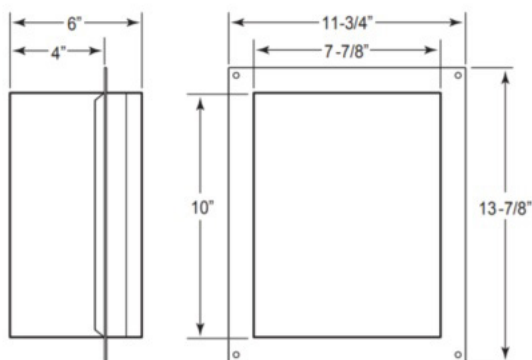


## Mounting

Refer to Installation Instructions for specific mounting structure guidelines, wiring and wall control installation details.

### Wall Control

– Required, Priced Separately –



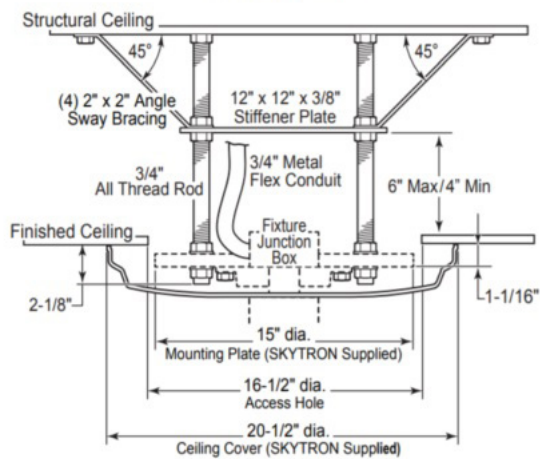
SIDE VIEW

BACK VIEW

(Not to Scale)

### Typical Mounting Structure

– Provided by Others –



## ABOUT HIPAC

We are an Australian healthcare company that guarantees to stand behind all our medical products, both manufactured and imported, because we're here for the life of our products and clients.

PO Box 797, 36 Long St. Goulburn NSW 2580, Australia  
P. +61 2 4823 0000 E. info@hipac.com.au

SYDNEY | MELBOURNE | BRISBANE | ADELAIDE | PERTH

[hipac.com.au](http://hipac.com.au)

ABN 27 600 353 688