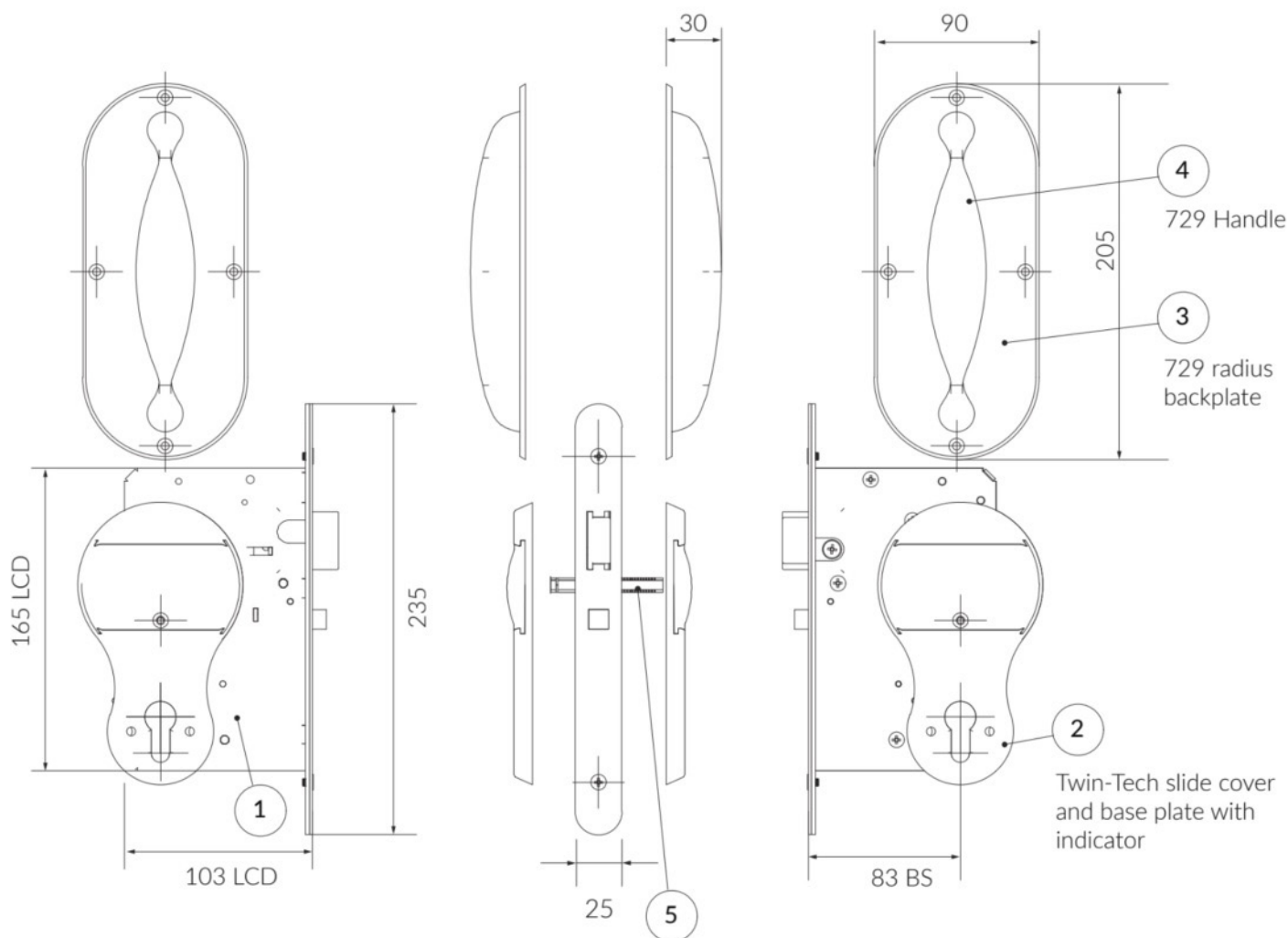




Anti-Ligature Auto Locking Nightlatch Lockset Primary & Secondary Override [Excludes Cylinder] PR-3S-86-729A



Internal View

External View

LCD = Lockcase Depth
 LCH = Lockcase Height
 BS = Backset

HIPAC CODES

- 136266 Without passage set
- 136318 With passage set

PARTS LIST

ITEM	QTY	PART NUMBER	PRIMERA CODE	ITEM	QTY	PART NUMBER	PRIMERA CODE
1	1	B200136	PR-6134ALNL-NHB	4	2	B310103	PR-4-729
2	2	B310341	PR-4-TTAP	5	1	B200704	PR-6704-SPIN-UNI
3	2	B411202	PR-5-B411202				

Note: Item 4 & 5 when together becomes PR-4-729A



Anti-Ligature Auto Locking Nightlatch Lockset Primary & Secondary Override [Excludes Cylinder] PR-3S-86-729A

Material

Handle & Turn/Pull Dish: Die-cast Mazak handle. Electro-plated SSS finish.
Flat Backplate: 3mm Chamfered mild steel. Electro-plated SSS finish.
Roller Bolt Deadlock: Predominantly manufactured from steel.

Fixings

6 lobe pin-torx anti-tamper security screws.

Maintenance

Lubrication: Premkem white grease with PTFE [Not the Cylinder]
Cleaning: Proprietary baby oil and soft cloth.

Standards

ITEM	PART NUMBER	PRIMERA CODE	DHF T001:2013
1	B310341	PR-4-TTAP-SSS	PASSED A4
2	B310103	PR-4-729	PASSED A4
3	B411102	PR-5-B411202	PASSED A4

Certifications

CE: Lockcase:	BS/EN 12209:2013	[British Standards Institute]
Fire Testing:	BS/EN 1634-1	[Exova Warrington Fire]



ABOUT HIPAC

We are an Australian healthcare company that guarantees to stand behind all our medical products, both manufactured and imported, because we're here for the life of our products and clients.

PO Box 797, 36 Long St. Goulburn NSW 2580, Australia
P. +61 2 4823 0000 E. info@hipac.com.au

SYDNEY | MELBOURNE | BRISBANE | ADELAIDE | PERTH

hipac.com.au

ABN 27 600 353 688