



Variable Focus LED Surgical Light Stellar XL Extended Hub

STX-EH

Architectural Specification

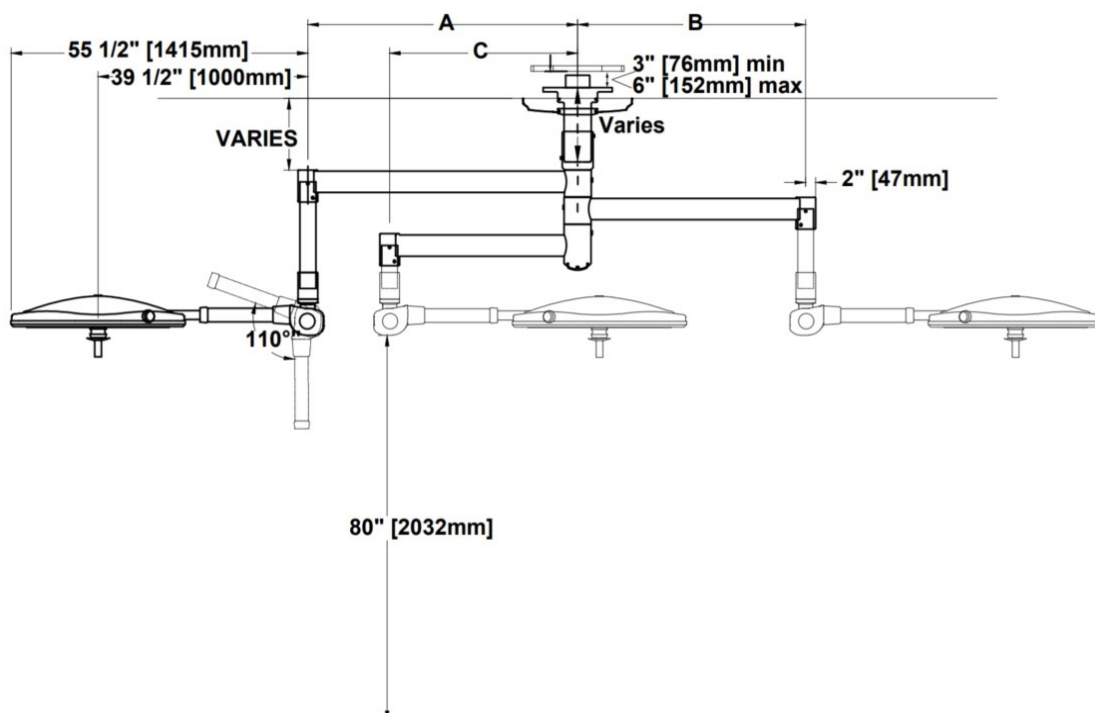
A Stellar XL series LED extended hub surgical light installation consists of a ceiling mounted radial arm system with up to three 24" [610mm] diameter lighthead(s) and continuous 360° rotation at all fixture rotation points. Extended Hub length arm models longer than 1285mm have 340° rotation capability with adjustable stops. Configurations range from a single arm light combination to up to three arms and lights.

A standard lighthead is 24" [610mm] wide with five focusable LED pod. Each pod contains seven individual LEDs and Vertical Segmented Reflector Design (VSRD) technology. Total system output is 160,000 lux per light at a color temperature of 3696K. A standard lighthead is equipped with a sterilizable center handle for sterile light control and focus. A focus knob and positioning handles are provided on the side of the lighthead for non-sterile control.

The LEDs will operate approximately 40,000 hours before illuminance degrades to a level determined unsuitable by the user and will require replacement.



Product Dimensions [Not to scale]

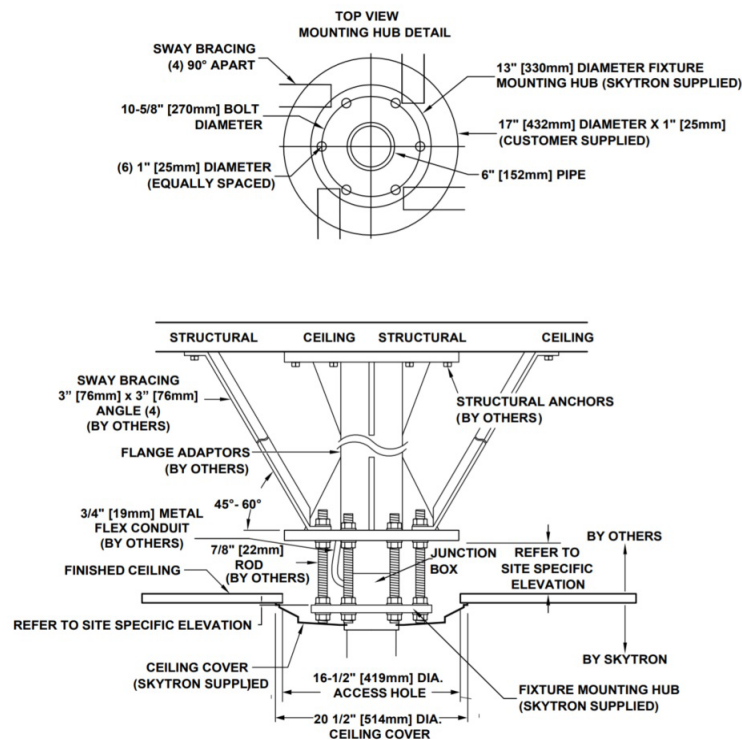




Product Specs

Standard Models	A Arm Length	B Arm Length	C Arm Length	Rotation	Weight	Moment Load
STX5-EH-895	895mm	N/A	N/A	360°	103kg	576 N·m
STX5-EH-1090	1090mm	N/A	N/A	360°	104.2kg	604 N·m
STX5-EH-1285	1285mm	N/A	N/A	360°	105.4kg	684 N·m
STX-EH-1500	1500mm	N/A	N/A	340°	114.2kg	829 N·m
STX5-EH-2000	2000mm	N/A	N/A	340°	117.2kg	1069 N·m
STX55-EH-895/700	895mm	700mm	N/A	360°	153.4kg	970 N·m
STX55-EH-1090/895	1090mm	895mm	N/A	360°	155.7kg	1125 N·m
STX55-EH-1285/1090	1285mm	1090mm	N/A	360°	158.1kg	1500 N·m
STX55-EH-1500/1300	1500mm	1300mm	N/A	340°	186.7kg	1550 N·m
STX55-EH-2000/1500	2000mm	1500mm	N/A	340°	190.9kg	1877 N·m
STX555-EH	1500mm	1090mm	895mm	360°	211.3kg	1789 N·m

Mounting Structure



ABOUT HIPAC

We are an Australian healthcare company that guarantees to stand behind all our medical products, both manufactured and imported, because we're here for the life of our products and clients.

PO Box 797, 36 Long St. Goulburn NSW 2580, Australia
P. +61 2 4823 0000 E. info@hipac.com.au

SYDNEY | MELBOURNE | BRISBANE | ADELAIDE | PERTH

hipac.com.au

ABN 27 600 353 688