



Variable Focus LED Surgical Light Stellar XL-LFS LFS

Datasheet



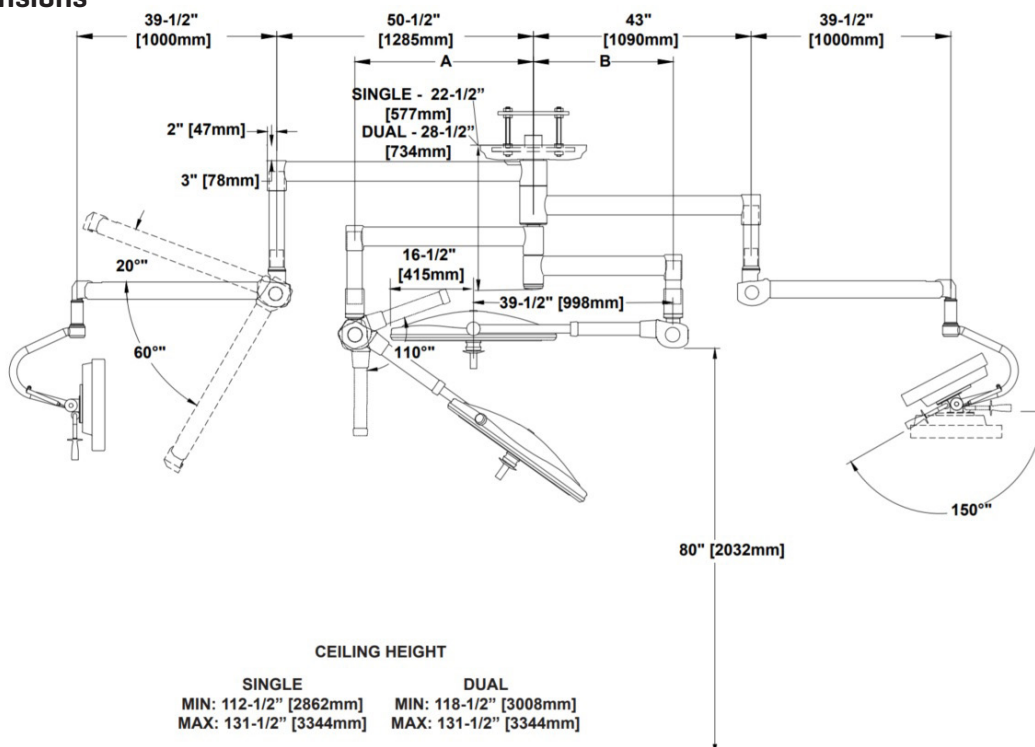
Architectural Specification

A Stellar XL series LED surgical light installation consists of a ceiling mounted radial arm system with two flat screen monitor mounts and up to two 610mm [24"] diameter lighthead(s). Flat Screen monitor mount arms provides 340° rotation at upper most arm with adjustable stops. Each monitor mount provides 540° of rotation, 150° of tilt, and can hold a flat screen monitor of up to 20 pounds [9 kg]. All light fixture rotation points can rotate a continuous 360°. Configurations range from two monitor arms with one arm and light up to two arms and lights.

A standard lighthead is 610mm [24"] wide with five focusable LED pods. Each pod contains seven individual LEDs with Vertical Segmented Reflector Design (VSRD) technology. Total system output is 160,000 lux per light at a color temperature of 3696K. Each lighthead is equipped with a sterilizable center handle for sterile positioning and focus. The side of the light includes a focus knob and positioning handles for non-sterile control.

The LEDs will operate approximately 40,000 hours before illuminance degrades to a level determined unsuitable by the user and will require replacement.

Product Dimensions

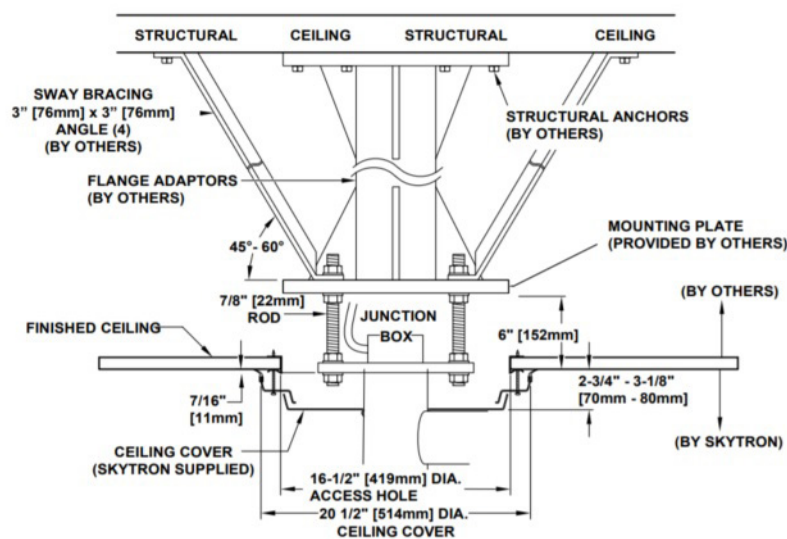
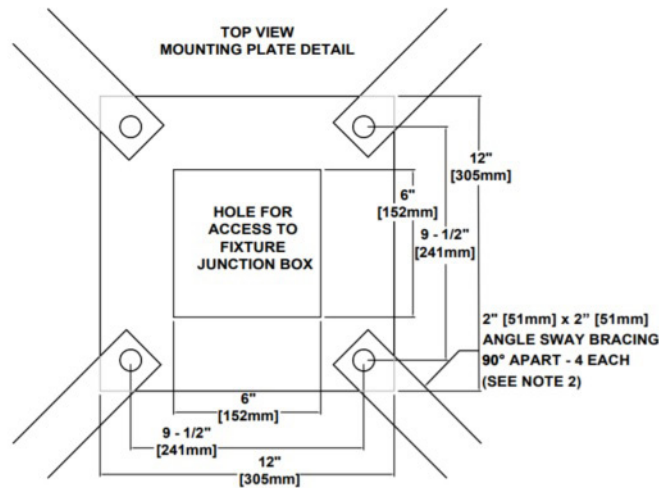




Product Specs

LFS Models	A Arm Length	B Arm Length			Rotation	Weight	Moment Load
LFSLFSSTX5	1285mm	1090mm	895mm	N/A	340°/360°	201.8kg	1783 N·m
LFSLFSSTX55	1285mm	1090mm	895mm	700mm	340°/360°	263kg	1935 N·m

Mounting Structure



ABOUT HIPAC

We are an Australian healthcare company that guarantees to stand behind all our medical products, both manufactured and imported, because we're here for the life of our products and clients.

PO Box 797, 36 Long St. Goulburn NSW 2580, Australia
P. +61 2 4823 0000 E. info@hipac.com.au

SYDNEY | MELBOURNE | BRISBANE | ADELAIDE | PERTH

hipac.com.au

ABN 27 600 353 688