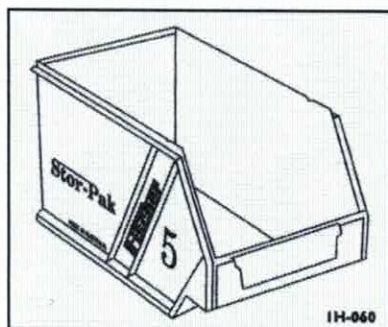
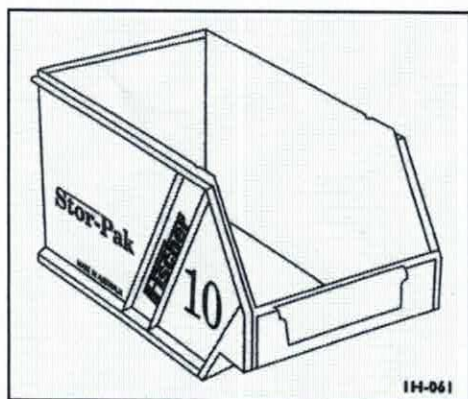


STOR-PAK CONTAINERS

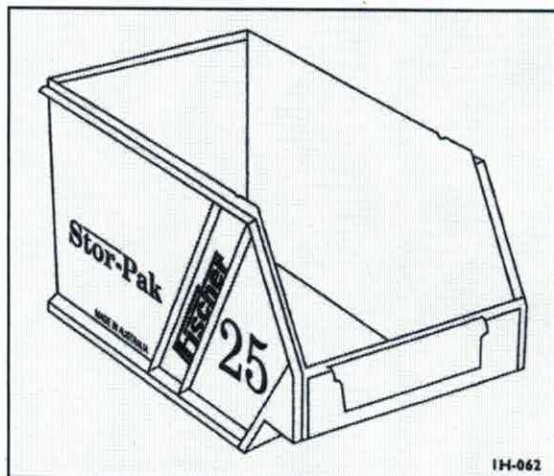
SMALL PARTS STORAGE & HANDLING SYSTEM



Stor-Pak 5 ~ 0.5 Litre
100mm x 115mm x 60mm

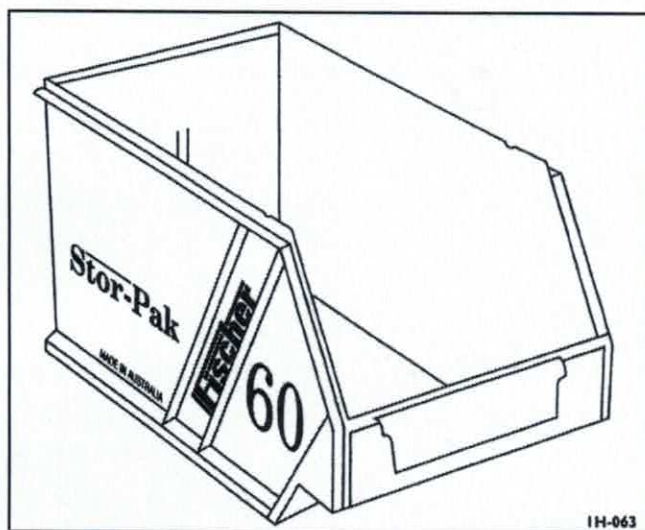


Stor-Pak 10 ~ 1.0 Litre
100mm x 170mm x 85mm



Stor-Pak 25 ~ 2.5 Litre
133mm x 220mm x 125mm

- ✓ The ultimate in practical storage systems.
- ✓ Available in six sizes (from 0.5 litre to 24 litre) to accommodate small bits as well as bulky items.
- ✓ Available in four colours (blue, green, red and yellow) to enable colour coding for more efficient warehousing and stock handling.
- ✓ Produced in tough and durable polypropylene.
- ✓ Angled front provides easy picking access.
- ✓ Dividers available for Stor-Pak 60, 120 and 240 for extra storage versatility.
- ✓ A.B.S. Louvre panels complete the range.
- ✓ Available in kits.

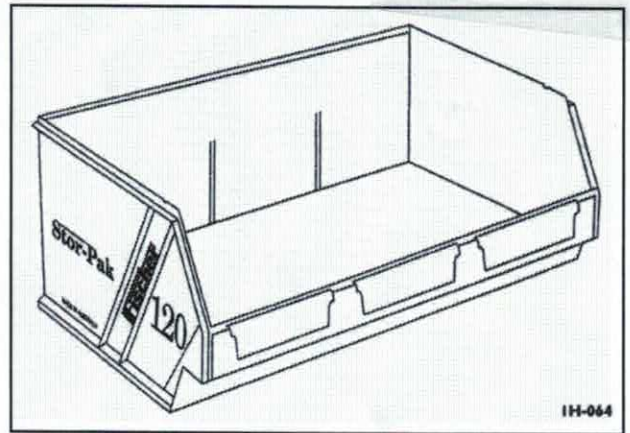


Stor-Pak 60 ~ 6.0 Litre
200mm x 275mm x 165mm
Divider to suit Stor-Pak 60 Code: IH-058

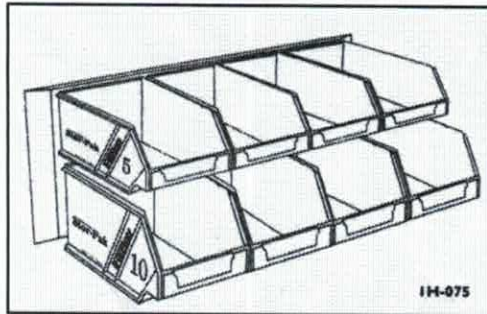
Distributed By



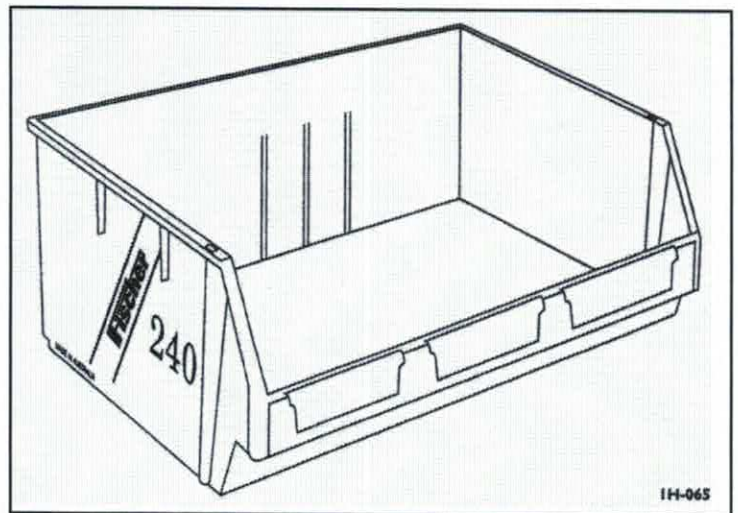
Special louvre panel grip at the back of each Stor-Pak Bin ensures bin sits strongly and securely onto the panel.



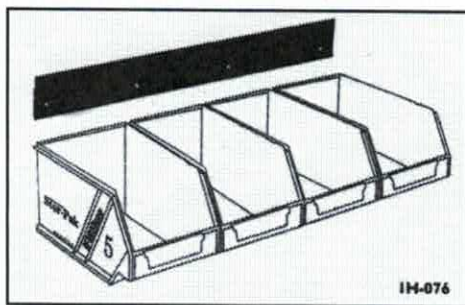
Stor-Pak 120 ~ 12.0 Litre
410mm x 275mm x 165mm
Divider to suit Stor-Pak 120 Code: IH-058



Starter Stor-Pak Kit



Stor-Pak 240 ~ 24.0 Litre
410mm x 440mm x 210mm
Divider to suit Stor-Pak 240 Code: IH-057
Stor-Pak 240 also available in clear



Small Stor-Pak Kit

CODE	DESCRIPTION	WIDTH	DEPTH	HEIGHT	CAPACITY	MAX LOAD (kg)	CTN. QTY	
IH-060	STOR-PAK 5	100mm	115mm	60mm	0.5 Litre	2	12	
IH-061	STOR-PAK 10	100mm	170mm	85mm	1.0 Litre	5	6	
IH-062	STOR-PAK 25	133mm	220mm	125mm	2.5 Litre	9	6	
IH-063	STOR-PAK 60	200mm	275mm	165mm	6.0 Litre	14	6	
IH-064	STOR-PAK 120	410mm	275mm	165mm	12.0 Litre	18	5	
IH-065	STOR-PAK 240	410mm	440mm	210mm	24.0 Litre	27	1	
IH-075	STARTER STOR-PAK KIT	Contains 4 x Stor-Pak Bin 5, 4 x Stor-Pak Bin 10 & 1 Plastic Louvre Panel.						1
IH-076	SMALL STOR-PAK KIT	Contains 4 x Stor-Pak Bin 5 & 1 Plastic Bracket.						6
IH-077	MEDIUM STOR-PAK KIT	Contains 4 x Stor-Pak Bin 10 & 1 Plastic Bracket.						6