

**CX C-SERIES HYDRAULIC EXCAVATORS**  
**CX145C SR | CX235C SR**

**CASE**  
CONSTRUCTION



**COMPACT**  
**PERFORMANCE**

[www.casece.com](http://www.casece.com)

**EXPERTS FOR THE REAL WORLD**  
**SINCE 1842**

# CX C-SERIES HYDRAULIC EXCAVATORS



## FULL SPECIFICATION EXCAVATORS

Building on the proven success of the C-Series crawler excavator range, Case has developed the Short Radius CX145C SR and CX235C SR, taking performance and productivity to a new level. Featuring the Case Intelligent Hydraulic System, the CX145C SR and CX235C SR deliver maximum economy and productivity from a compact yet powerful design, reducing operating costs of customers and boosting productivity.

## OPERATOR CONTROL

The new ROPS cab provides automotive levels of reduced noise and improved operator comfort. Visibility, space and seating have been improved and a new full-colour monitor delivers essential information and a camera feed for maximum safety and efficiency.

## SHORT SWING RADIUS

The short swing radius allows excellent operation even in confined spaces. The new CX145C SR and CX235C SR are the perfect machines for road construction, bridges projects and in urban construction sites, any jobsite where space is limited.

The new CASE SR machines are designed to increase productivity, giving the operator easier operation with performance, without the risk of machine damage, in other words superior safety on the job site.

## ENERGY EFFICIENCY

The Case Intelligent Hydraulic System (CIHS) incorporates a host of energy saving, performance enhancing functions, to boost efficiency and machine output. In combination with powerful, fuel-efficient Tier 4 Interim diesel engines, this leads to fuel savings of up to 17% for the CX235C SR and up to 9% for the CX145C SR. A simple operating mode dial delivers three working modes with speed priority set to provide maximum horsepower and hydraulic output. A Powerboost function provides an 8 second boost for maximum digging performance.

Boom Economy Control increases energy efficiency during swing and boom lower operations, while Swing Relief Control further optimises energy use when slewing. Automatic Economy Control cuts energy use when the operating levers are in the neutral position and Spool Stroke Control delivers improved controllability in digging and levelling tasks.

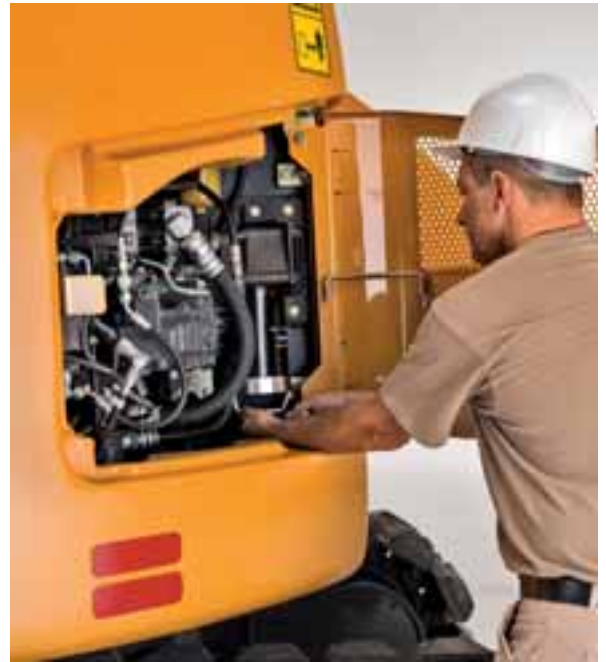
The machines feature automatic engine idling and automatic engine shut down, to further cut unnecessary fuel use when not working. Pump Torque Variable Control provides perfect control of the engine and hydraulic system, further boosting economy. Despite this focus on reduced consumption, the SR excavators boast a 5% improvement in cycle times with a 6% improvement in lifting performance, from the previous models.

## ROBUST QUALITY

The short radius machines continue a Case tradition of robust design and high quality build. By bringing together the highest quality components and materials, in a machine that has been designed to work productively, Case has further improved reliability and durability, reducing ownership costs and cutting downtime for the customer.



# CX C-SERIES HYDRAULIC EXCAVATORS

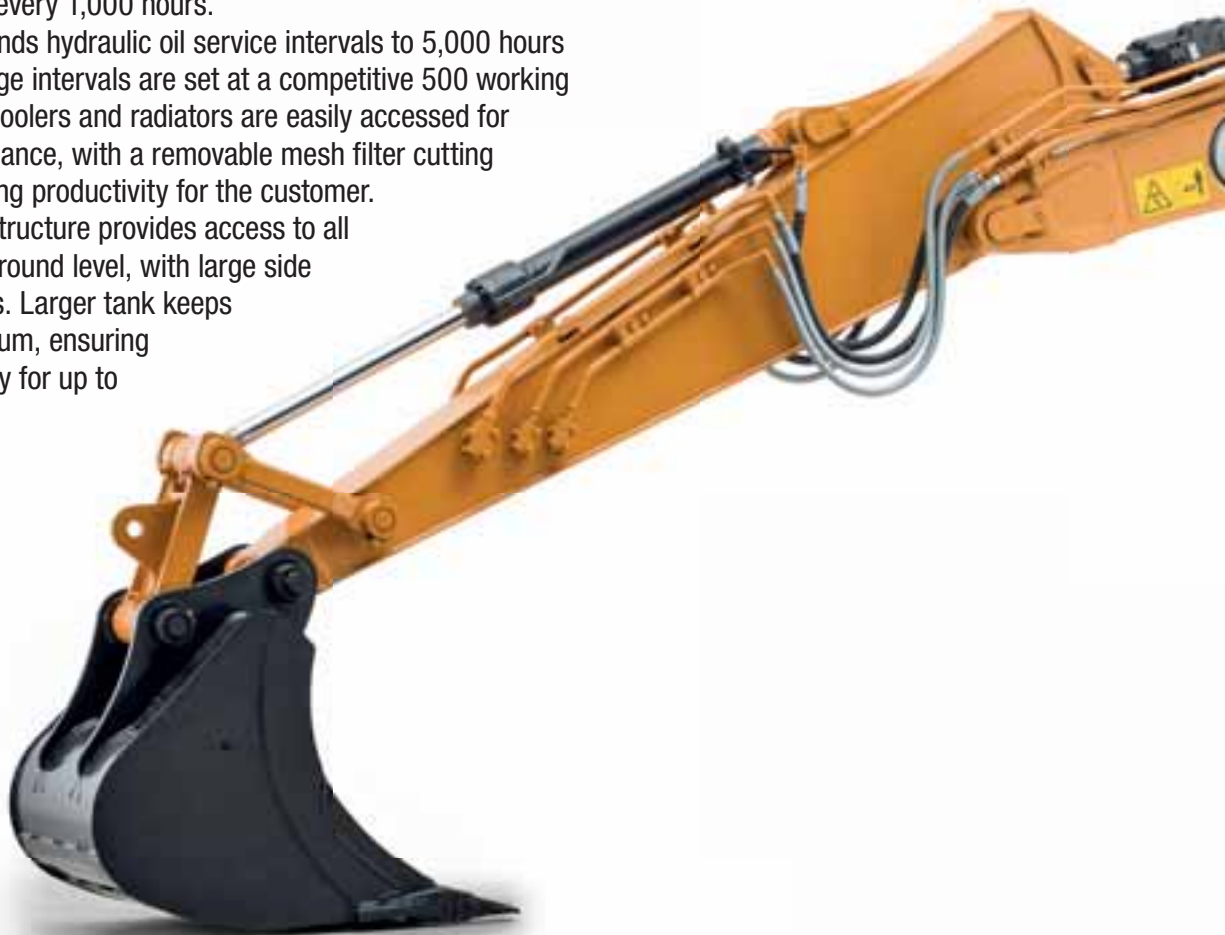


## SIMPLIFIED MAINTENANCE

All filters are grouped together for easy access, reducing service time. In addition remote greasing points and standard EMS bushings cut greasing intervals to every 1,000 hours.

A synthetic filter extends hydraulic oil service intervals to 5,000 hours while engine oil change intervals are set at a competitive 500 working hours. Side-by-side coolers and radiators are easily accessed for cleaning and maintenance, with a removable mesh filter cutting downtime and boosting productivity for the customer.

A redesigned upper structure provides access to all service points from ground level, with large side opening access doors. Larger tank keeps downtime to a minimum, ensuring maximum productivity for up to two working days.





\* Image may include optional rather than standards fittings - Consult your Case dealer



# CX C-SERIES HYDRAULIC EXCAVATORS

## OPERATOR COMFORT AND SAFETY

Case SR excavators take operator comfort to the next level, with a new 7% larger ROPS and FOPS Level 2 cab that delivers an almost automotive noise level.

An improved air conditioning system (28% more airflow and 20% increase in performance), multi-adjustable suspension seating, increased foot space, cup holder and storage compartments deliver the most productive working environment possible.

Visibility is improved and the Case machines feature a new full-colour Multifunction Display. This extra large LED screen provides important machine information in a clear, easy to use menus format.

Rear and side view cameras can be viewed using a split-screen facility, while vital machine data remains clearly visible.

An ECO gauge provides a constant real-time recording of fuel consumption, allowing the operator to reduce power and conserve fuel when possible, improving efficiency and productivity. The monitor also provides access to on-board diagnostics, reducing downtime for service and maintenance.







## THE CASE DEALER: YOUR PROFESSIONAL PARTNER

Your success starts with world-class Case machinery and attachments.

Your Case dealer will help you work smarter and faster by selecting equipment that delivers performance and operator comfort.

Your dealer has the knowledge and experience necessary to help you choose the right attachments so you can...

- **Work faster and extend equipment life.**
- **Increase machine utilization.**
- **Increase your capabilities.**

Let your Case dealer service your machine on the jobsite.

You'll be back on the job faster.

Advantages include...

- **Responsive job site service to keep your equipment running.**
- **Increase machine uptime.**
- **Certified service staff and improved parts availability.**





## **PARTS**

When you're looking for superior parts options to maximize the performance and lower the operating costs of your Case machinery, turn to CNH Industrial Genuine Parts to keep you equipped for success.

CNH Industrial Genuine Parts fit better, install faster and last longer and in an industry where "high impact" and "heavy lifting" are the norm, the smallest mechanical differences can lead to big problems.

CNH Industrial Genuine Parts from Case are manufactured from superior materials and specifically designed for Case construction equipment to continually and reliably withstand the punishment of everyday construction. So steer clear of mechanical problems and future breakdowns, by choosing CNH Industrial Genuine Parts from Case. They're the only parts that are field-tested and proven to keep your Case equipment performing its best.

## **SERVICE. RELY ON CASE TO DELIVER FOR YOU**

Your commitment to your operation is evident every day, but that doesn't minimize the enormous pressure you face to reduce operating costs and improve productivity. So when you're on the job, make sure you have top-notch service and support of Case behind you every step of the way.

With our factory trained technicians, you can ensure that top-notch service professionals are working on your maintenance needs, so you can focus on your business and the big job challenges ahead, not on the tasks of servicing your equipment.

With your Case Service, you get more than mere oil changes. A Case Service ensures your Case equipment receives a thorough service that meets all requirements of its service schedules and properly maintains it for the day-in, day-out punishment of construction work.

Don't give another thought to time-consuming maintenance tasks. Simply rest easy and make certain that your service needs are taken care of by a Case factory trained technician.

When the unexpected occurs, you need to know your equipment is protected.  
At Case Construction we understand the importance of your machinery being in good working order when it counts.

ProCover is designed to help keep your equipment working well beyond the manufacturer's base warranty period while taking away the concerns of the cost and inconvenience of mechanical failure.

## WHAT ARE THE ADVANTAGES OF PROCOVER?

### PEACE OF MIND

Provides protection beyond the Manufacturer's Base Warranty Period.

### FLEXIBLE OPTIONS

Plans can be customised to meet individual needs.

### DEPENDABLE SERVICE

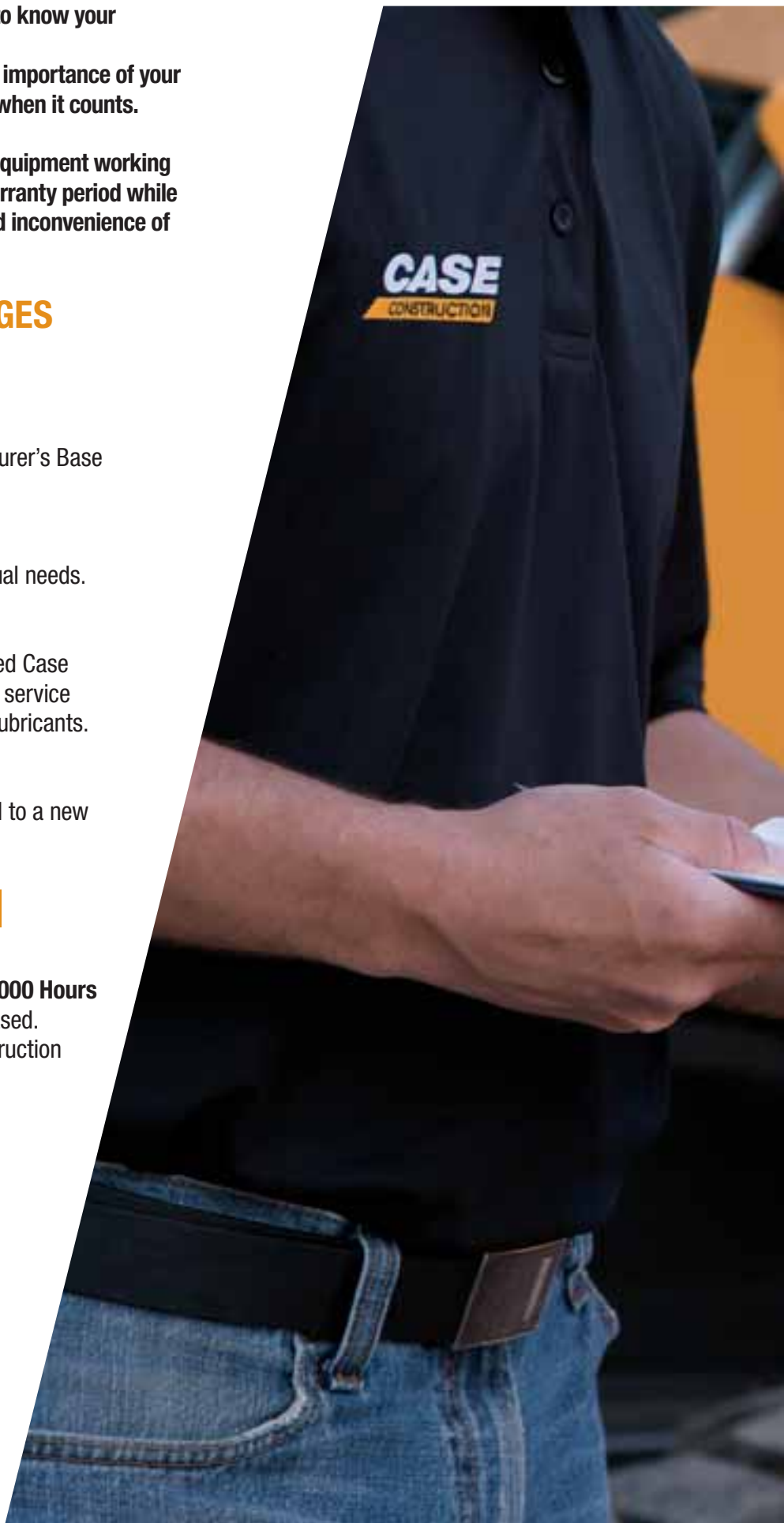
Eligible repairs completed by an authorised Case Construction Dealership and their trained service technician's using genuine OEM parts & lubricants.

### TRANSFERABLE PROTECTION

New Equipment Plans may be transferred to a new owner at no charge

## COVERAGE

- **STANDARD PROTECTION PLAN**     **3 Years / 5000 Hours**  
Additional years/hours can be purchased.  
Please contact your local Case Construction dealer for further information.



# STANDARD PROCOVER PLUS PROTECTION PLAN

## CONSTRUCTION EQUIPMENT MASTER PARTS SCHEDULE

This plan provides coverage for the components listed below when a failure occurs due to a defect in material or workmanship, and may provide coverage for additional components not listed when the damage is caused by or resulting from a covered failure of a listed component.

### PREMIER COMPONENTS COVERED

ENGINE AND ALL INTERNAL LUBRICATED COMPONENTS WITHIN	TRANSMISSIONS/AXLES/HYDROSTATICS	ELECTRICAL	HYDRAULICS
Accessory Gears	Axle Housing	Alternator	Accumulator And Related Relief Valve
Air Intake Hose	Axle Shaft	Gauges	Brake Accumulator
Camshaft	Clutch Discs (Wet Only)	Horn	Brake Pressure Sensor
Camshaft Bearings	Clutch Plates (Wet Only)	Indicators	Brake Pump, Brake Valve
Camshaft Drive Gear	Control Rods	Instruments	Differential Lock Valve
Catalytic Converter	Counter Shaft Clutch	Electronic Joysticks	Fan Pumps And Motors
Charge Air Cooler	Differential Housing	Electric Motors	Hydraulic Cylinders
Cold Start Enrichment Systems	Differential Pinion Gear / Ring Gear	Factory Installed Telematics	Hydraulic Hoses and Piping
Connecting Rods & Bearings	Drive Axle Hub	Sensors	Hydraulic Motors
Crankshaft Bearings & Gear	Drive Shaft Support Bearing	Solenoid Valves	Hydraulic Oil Coolers
Crankshaft Including Front And Rear Crankshaft Seals	Drive Shaft with Universal Joints	Starter And Starter Solenoid	Hydraulic Pumps
Cylinder Heads/ Head Gaskets	Electronic Transmission Controller and Valve	Switches	Hydraulic Reservoir
Cylinder Liners	Enclosed Oil Immersed Chains and Sprockets	Traction Control System	Hydraulic Valves
Diesel Exhaust Fluid Tank and Dispensing System	External Oil Lines	Voltage Regulator	Internal O-Rings and Bonded Washers
Diesel Particulate Filter	Filler Tubes (Transmission)	Wiring Harnesses	Pilot Control
EGR System Manifold	Final Drive Pinion	Wiring Harnesses Exclusions	Pressure Reducing Valves
Electronic Engine Control Module	Final Drive Planetary Gears	Rubbing, Chafing, Loose Or Corroded Connections	Unloading Valves
Engine Block	Front Wheel Drive Sensors	<b>FACTORY INSTALLED HEATAND AIR CONDITIONING</b>	<b>STRUCTURAL</b>
Engine Mounts And Supports	Hydraulic Drive / Travel Motor	Accumulator	Backhoe Booms
Engine Oil Cooler	Hydraulic Drive Pump	Clutch	Backhoe/Excavator Dipper Sticks
Engine Speed Controls, Linkages, and Cables	Hydraulic Transmission-Control Valve	Compressor	C Frame
Exhaust Manifold and Muffler	Hydrostatic Motor	Condenser	Car Body
Fan And Fan Drive	Hydrostatic Transmission Charge Pump	Dryer	Chassis
Filter Mount	Hydrostatic Transmission Pump	Evaporator	Circle Frame
Flywheel, Ring Gear	Hydrostatic/Hydraulic Pump Drives	Expansion Valve	Engine Frame
Front And Rear Engine Covers And Seals	Internal Lubricated Clutch Housings	Heater Core	Equipment Frame
Front Damper	Internal Transmission Control Linkage	Hoses	Excavator Booms
Fuel Lines	Internal Wet Service Brakes	Pulley	Falling Object Protection Structure (FOPS)
Fuel Tank	MFWD Axle/Differential Assembly including Driveshaft and U Joint	Seals & Gaskets	Forklift Masts
Fuel Transfer Pump & Gasket	Planetary Gear Carrier	Temperature Control Programmers and Valves	Inner and Outer Dipper Arms of the Extendable Boom (Backhoe Loader)
Injection Pump	Pneumatic Valves	<b>OPERATOR AREA</b>	Main Frame
Injectors	Rotary Hydraulic Manifold	Covers and Panels	Rollover Protection Structure (ROPS)
Intake and Exhaust Manifold And Gaskets	Splitter Drive/Drop Box	Exterior/Interior Door/Panel Latches, Hinges & Struts	Swing Frame
Oil Filler Tube	Steering Clutches (Wet)	Exterior/Interior Moldings	Swing Tower Castings (Backhoe Loader)
Oil Lines	Swing Motor And Swing Gear Box	Knobs for Switches and Handles	Track Frame
Oil Pan And Gasket	Torque Converter	Mirrors	Wheel Loader/Skid steer Loader Arms
Oil Pump	Torque Converter Pump	Seat Frame & Suspension	
Pistons & Rings	Transfer Drive		
Pre-Cleaner/Air Cleaner Housing	Transmission Case		
Pressure/Temperature Sensors & Sending Units	Transmission Gears, Bearings, & Shafts		
Pulleys	Transmission Pump		
Radiator	Travel & Swing Sections (only) Of Main Control Valve		
Rocker Arm Assembly	Travel Control Valve		
Selective Catalytic Reduction System	Turntable Bearing		
Thermostats	Undercarriage Roller And Idler Seals And Bearings		
Timing Gears	Undercarriage Tensioners		
Turbocharger And Gasket	UNDERCARRIAGE EXCLUSIONS:		
Valve Cover And Gasket	Sprocket, Tracks, Pads, Bolts, Chains, Or Any Failure Due To Wear, Or Breakage Caused By Wear		
Water Piping			
Water Pumps			

# CX C-SERIES

## HYDRAULIC EXCAVATORS

### ENGINE

Model \_\_\_\_\_ Tier 4 interim certified ISUZU AM-4JJ1X  
 Type \_\_\_\_\_ Water-cooled, 4-cycle diesel, 4-cylinder in line,  
 High pressure common rail system (electric control), Turbocharger with air  
 cooled intercooler, DPD system  
 Number of cylinders \_\_\_\_\_ 4  
 Bore/Stroke \_\_\_\_\_ 95.4 x 104.9 mm  
 Horsepower ISO 9249 \_\_\_\_\_ 74.9 kW at 2000 min-1  
 Maximum torque ISO 9249 \_\_\_\_\_ 359 Nm at 1600 min-1

### HYDRAULIC SYSTEM

Max oil flow \_\_\_\_\_ 2 x 129 l/min @ 2000 min-1  
 2 variable displacement axial piston pumps with regulating system  
 Working circuit pressure \_\_\_\_\_  
 Boom/Arm/Bucket \_\_\_\_\_ 34.3 MPa  
 Boom/Arm/Bucket (with auto power up) \_\_\_\_\_ 36.3 MPa  
 Swing circuit \_\_\_\_\_ 28.0 MPa  
 Travel circuit \_\_\_\_\_ 34.3 Mpa

### SWING

Maximum swing speed \_\_\_\_\_ 10.6 min-1

### WEIGHT

With 2.50 m Arm, 0.5 m<sup>3</sup> bucket, operator, lubricant, coolant and full fuel tank and top guard OPG level 2

CX145C SR BLADE	WEIGHT (kg)
500 mm grouser shoe	14,200

With 2.10 m Arm , 0.45 m<sup>3</sup> bucket, operator, lubricant, coolant and full fuel tank and top guard OPG level 2

CX145C SR BLADE OFFSET BOOM	WEIGHT (kg)
500 mm grouser shoe	14,900

### TRAVEL

Travel motor \_\_\_\_\_ Fixed displacement axial piston motor  
 Max travel speed \_\_\_\_\_ 5.6 km/h (Automatic travel speed shifting)  
 Low travel speed \_\_\_\_\_ 3.4 km/h  
 Gradeability \_\_\_\_\_ 70% (35°)  
 Drawbar pull \_\_\_\_\_ 116 kN

### ELECTRICAL SYSTEM

Circuit \_\_\_\_\_ 24 V  
 Alternator \_\_\_\_\_ 50 Amp

### UNDERCARRIAGE

Number of carriers rollers (each side) \_\_\_\_\_ 1  
 Number of track rollers (each side) \_\_\_\_\_ 7  
 Number of shoes (each side) \_\_\_\_\_ 43  
 Type of shoe \_\_\_\_\_ Triple grouser shoe

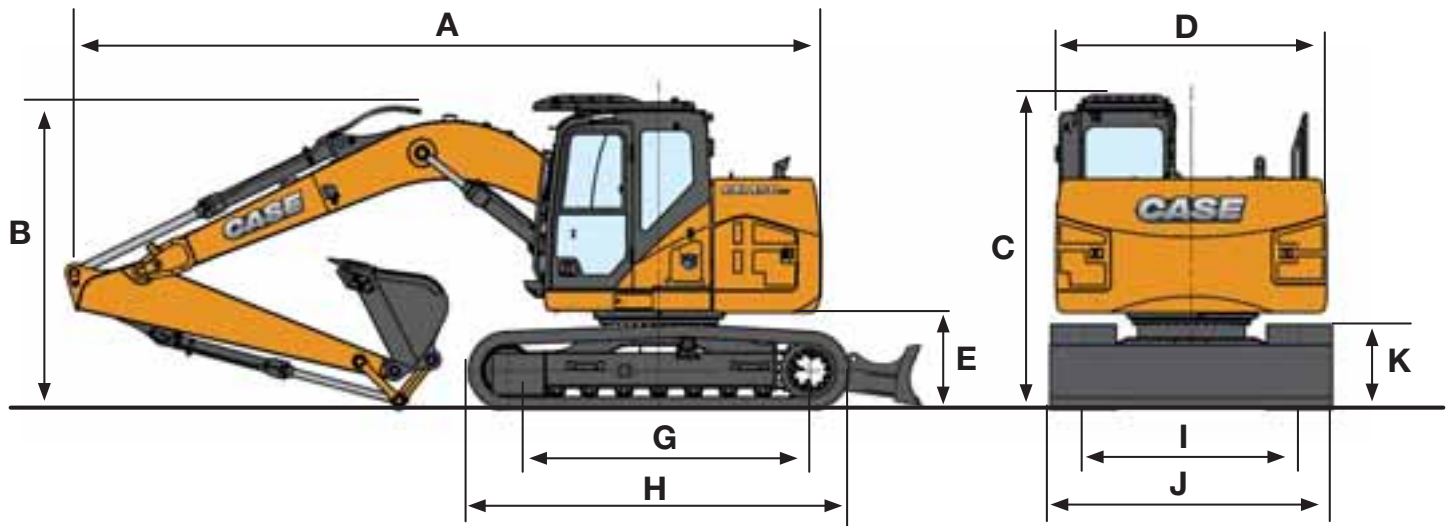
### CAPACITIES

Fuel tank \_\_\_\_\_ 320 ltr  
 Hydraulic system \_\_\_\_\_ 252ltr  
 Cooling system \_\_\_\_\_ 15.3 ltr

# SPECIFICATIONS

## CX145C SR

### GENERAL DIMENSIONS



#### CX145C SR BLADE

ARM 2.50 m

Overall length (without attachment)	4160 mm
A Overall length (with attachment)	7880 mm
B Overall height (with attachment)	2900 mm
C Cab height	2900 mm
D Upper structure overall width	2490 mm
Swing (rear end) radius)	1490 mm
E Clearance height under upper structure	880 mm
F Minimum ground clearance	440 mm
G Wheel base (Center to center of wheels)	2790 mm
H Crawler overall length	3500 mm
I Track gauge	1990 mm
J Undercarriage overall width (with 600 mm shoes)	2490 mm
K Crawler tracks height	790 mm

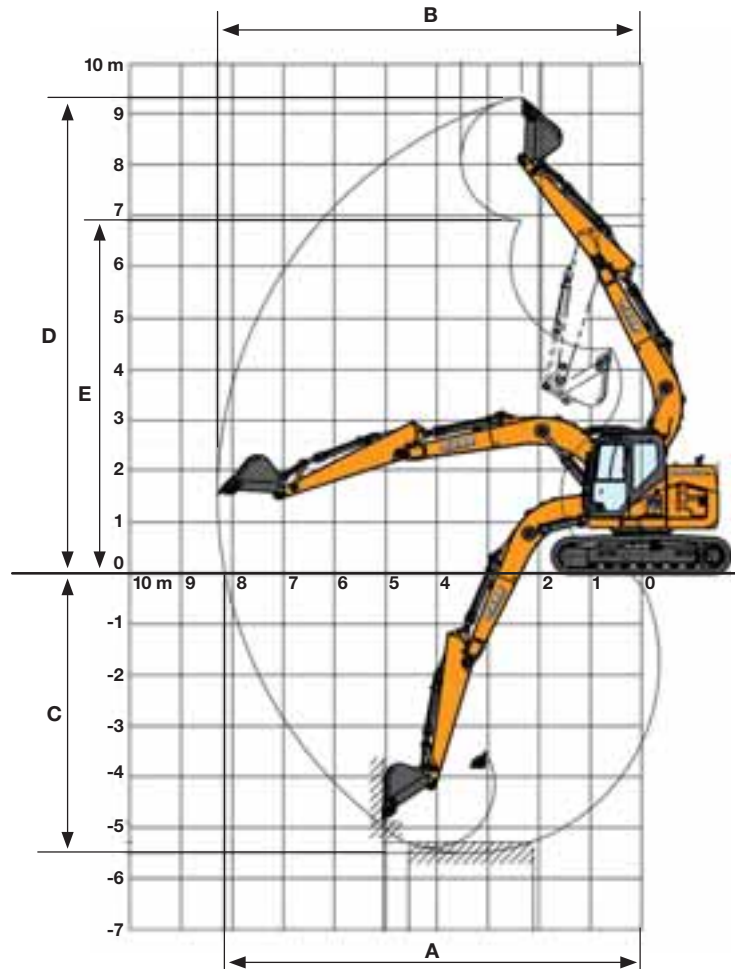
### BLADE DIMENSIONS AND RANGE

#### CX145C SR BLADE / OFFSET BOOM

Blade dimensions (width x height)	2,490 x 570 mm
Blade range (up/down)	510 x 520 mm

# CX C-SERIES HYDRAULIC EXCAVATORS

## PERFORMANCE DATA



### CX145C SR BLADE

ARM 2.50 m

Boom length	4630 mm
Bucket radius	1200 mm
Bucket wrist action	178°
A Maximum reach at GRP	8170 mm
B Maximum reach	8310 mm
C Max. digging depth	5540 mm
D Max. digging height	8770 mm
E Max. dumping height	6390 mm

## DIGGING FORCE

With 0.5 m<sup>3</sup> bucket (ISO 6015)

### CX145C SR BLADE

ARM 2.50 m

Arm digging force	62 kN
- with auto power up	66 kN
Bucket digging force	90 kN
- with auto power up	95 kN

# LIFTING CAPACITY

## CX145C SR

Front 360°	REACH						
	0 m	1.5 m	3.0 m	4.5 m	6.0 m	7.5 m	At max reach m

### CX145C SR. BLADE DOWN. Standard arm. 2.50 m arm length, 0.50 m<sup>3</sup> bucket, 500G shoes, max reach 8.29 m

7.5 m						2360 *	2360 *					1290 *	1290 *	5.24	
6.0 m						2950 *	2950 *	2320 *	2320 *			1090 *	1090 *	6.70	
4.5 m						3680 *	3680 *	2930 *	2320	1090 *	1090 *	1030 *	1030 *	7.52	
3.0 m				7190 *	6990	5210 *	3580	3860 *	2200	2300 *	1460	1030 *	1030 *	7.92	
1.5 m				9690 *	6280	6250 *	3300	4660 *	2070	2760 *	1400	1100 *	1100 *	8.00	
0 m			2760 *	2760 *	8330 *	5780	6640 *	3070	4790 *	1960	2470 *	1350	1230 *	1230 *	7.77
-1.5 m			5160 *	5160 *	9610 *	5730	6420 *	2970 *	4560 *	1910			1490 *	1430	7.22
-3.0 m			8080 *	8080 *	7820 *	5850	5360 *	3030	3430 *	1980			2040 *	1820	6.26
-4.5 m					4370 *	4370 *	2560 *	2560					2110 *	2110 *	4.69

### CX145C SR. BLADE UP. Standard arm. 2.50 m arm length, 0.50 m<sup>3</sup> bucket, 500G shoes, max reach 8.29 m

7.5 m						2360 *	2360 *					1290 *	1290 *	5.24	
6.0 m						2950 *	2950 *	2320 *	2320 *			1090 *	1090 *	6.70	
4.5 m						3680 *	3680 *	2930 *	2320	1090 *	1090 *	1030 *	1030 *	7.52	
3.0 m				7190 *	6990	5210 *	3580	3860 *	2200	2300 *	1460	1030 *	1030 *	7.92	
1.5 m				9690 *	6280	6250 *	3300	4660 *	2070	2760 *	1400	1100 *	1100 *	8.00	
0 m			2760 *	2760 *	8330 *	5780	6640 *	3070	4790 *	1960	2470 *	1350	1230 *	1230 *	7.77
-1.5 m			5160 *	5160 *	9610 *	5730	6420 *	2970	4560 *	1910			1490 *	1430	7.22
-3.0 m			8080 *	8080	7820 *	5850	5360 *	3030	3430 *	1980			2040 *	1820	6.26
-4.5 m					4370 *	4370 *	2560 *	2560 *					2110 *	2110 *	4.69

\* Lift capacities are taken in accordance with SAE J1097 / ISO 10567 / DIN 15019-2

Lift capacities shown in kg do not exceed 75% of the tipping load or 87% of the hydraulic lift capacity

Capacities that are marked with an asterisk (\*) are hydraulic limited

If the machine is equipped with a quick coupler, subtract the weight of the quick coupler from the load shown in the table to calculate the real lift capacity

# CX C-SERIES

## HYDRAULIC EXCAVATORS

### ENGINE

Model \_\_\_\_\_ Tier 4 interim certified ISUZU AM-4HK1X  
Type \_\_\_\_\_ Water-cooled, 4-cycle diesel, 4-cylinder in line,  
High pressure common rail system (electric control), Turbocharger with air  
cooled intercooler, DPD system  
Number of cylinders \_\_\_\_\_ 4  
Bore/Stroke \_\_\_\_\_ 115 x 125 mm  
Horsepower ISO 9249 \_\_\_\_\_ 119.3 kW at 1800 min<sup>-1</sup>  
Maximum torque ISO 9249 \_\_\_\_\_ 621 Nm at 1500 min<sup>-1</sup>

### HYDRAULIC SYSTEM

Max oil flow \_\_\_\_\_ 2 x 211 l/min @ 1800 min<sup>-1</sup>  
2 variable displacement axial piston pumps with regulating system  
Working circuit pressure \_\_\_\_\_  
Boom/Arm/Bucket \_\_\_\_\_ 34.3 MPa  
Boom/Arm/Bucket (with auto power up) \_\_\_\_\_ 36.4 MPa  
Swing circuit \_\_\_\_\_ 29.4 MPa  
Travel circuit \_\_\_\_\_ 34.3 Mpa

### SWING

Maximum swing speed \_\_\_\_\_ 11.8 min<sup>-1</sup>

### WEIGHT

With 2.94 m Arm, 0.8 m<sup>3</sup> bucket, operator, lubricant, coolant, full fuel tank

CX235C SR BLADE	WEIGHT (kg)
600 mm grouser shoe	25,200

### TRAVEL

Travel motor \_\_\_\_\_ Variable displacement axial piston motor  
Max travel speed \_\_\_\_\_ 5.0 km/h (Automatic travel speed shifting)  
Low travel speed \_\_\_\_\_ 3.2 km/h  
Gradeability \_\_\_\_\_ 70% (35°)  
Drawbar pull \_\_\_\_\_ 201 kN

### ELECTRICAL SYSTEM

Circuit \_\_\_\_\_ 24 V  
Alternator \_\_\_\_\_ 50 Amp

### UNDERCARRIAGE

Number of carriers rollers (each side) \_\_\_\_\_ 2  
Number of track rollers (each side) \_\_\_\_\_ 8  
Number of shoes (each side) \_\_\_\_\_ 49  
Type of shoe \_\_\_\_\_ Triple grouser shoe

### CAPACITIES

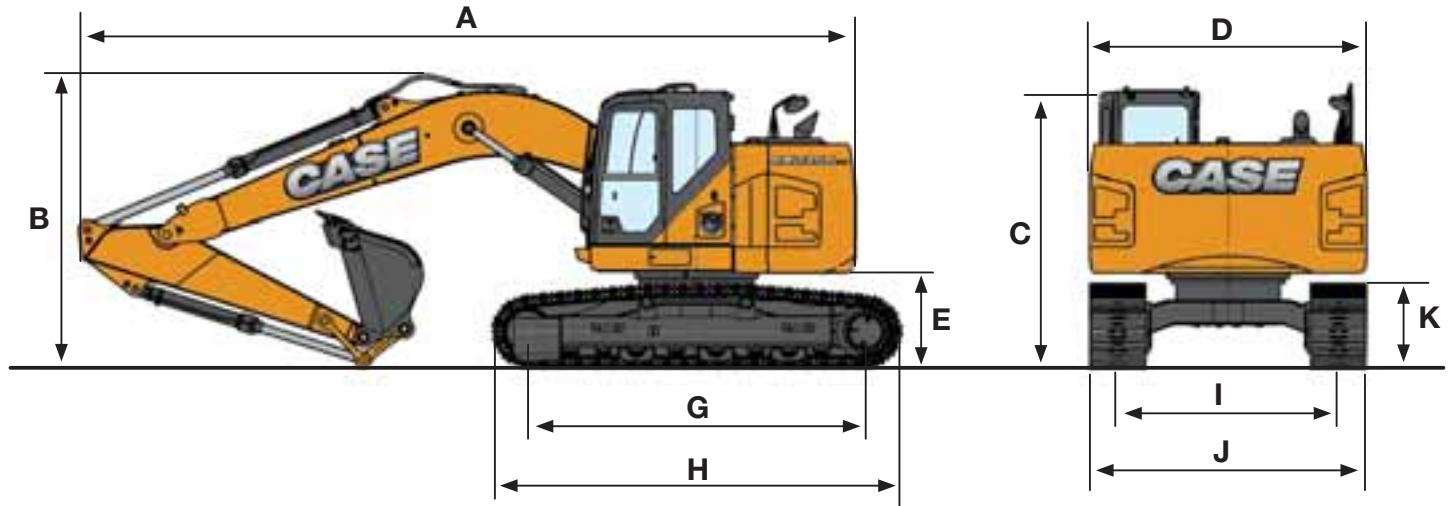
Fuel tank \_\_\_\_\_ 320 ltr  
Hydraulic system \_\_\_\_\_ 252 ltr  
Cooling system \_\_\_\_\_ 30.9 ltr



# SPECIFICATIONS

## CX235C SR

### GENERAL DIMENSIONS



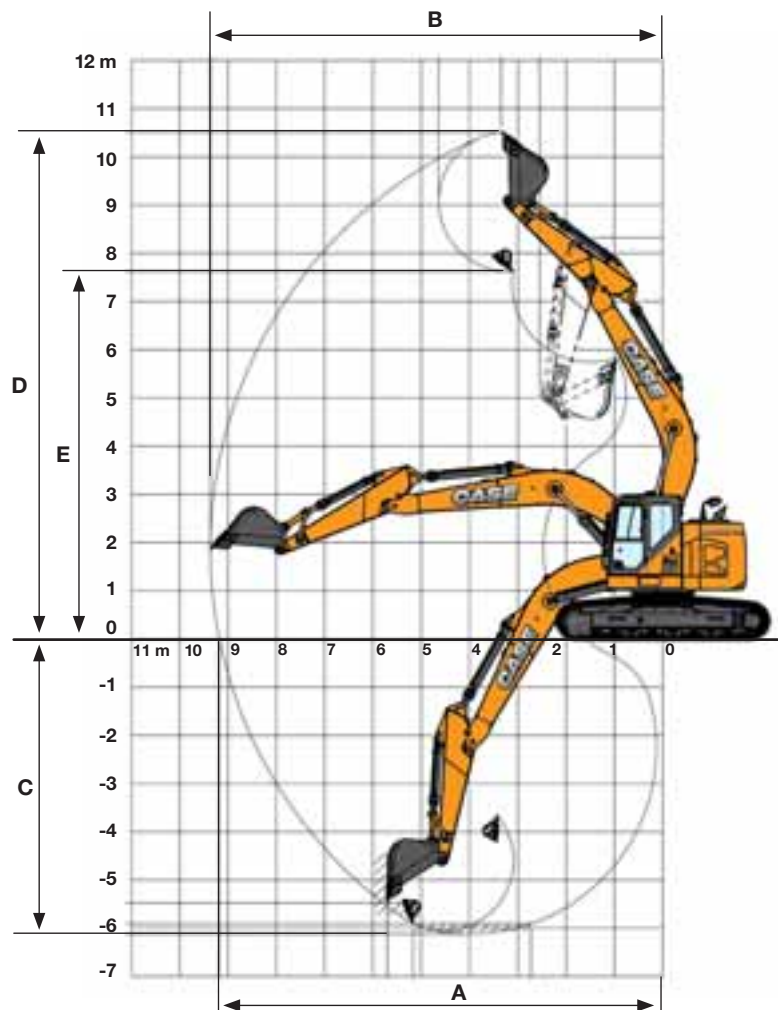
#### CX235C SR BLADE

ARM 2.94 m

	Overall length (without attachment)	4700 mm
A	Overall length (with attachment)	9210 mm
B	Overall height (with attachment)	3090 mm
C	Cab height	3000 mm
D	Upper structure overall width	2990 mm
	Swing (rear end) radius	1720 mm
E	Clearance height under upper structure	1020 mm
F	Minimum ground clearance	440 mm
G	Wheel base (Center to center of wheels)	3370 mm
H	Crawler overall length	4180 mm
I	Track gauge	2200 mm
J	Undercarriage overall width (with 500 mm shoes)	2800 mm
K	Crawler tracks height	920 mm

# CX C-SERIES HYDRAULIC EXCAVATORS

## PERFORMANCE DATA



### CX235C SR BLADE

ARM 2.94 m

Boom length	5700 mm
Bucket radius	1450 mm
Bucket wrist action	177°
A Maximum reach at GRP	9670 mm
B Maximum reach	9850 mm
C Max. digging depth	6650 mm
D Max. digging height	10860 mm
E Max. dumping height	7970 mm

## DIGGING FORCE

With 0.8 m<sup>3</sup> bucket (ISO 6015)

### CX235C SR BLADE

ARM 2.94 m

Arm digging force	103 kN
- with auto power up	110 kN
Bucket digging force	142 kN
- with auto power up	152 kN

# SPECIFICATIONS

## CX235C SR

Front 360°	REACH						
	1.5 m	3.0 m	4.5 m	6.0 m	7.5 m	9.0 m	At max reach m

### CX235C BLADE. Version Standard arm. 2.94 m arm length, 0.80 m<sup>3</sup> bucket, 600G shoes, max reach 9.85 m - Blade down

9.0 m							3090 *	3090 *					2470*	2470*	6.26
7.5 m							3950 *	3950 *	2960 *	2960*			2180*	2180*	7.76
6.0 m							4330 *	4330 *	3980 *	3430			2080*	2080*	8.69
4.5 m			5010 *	5010*	5760*	5760*	4980 *	4840 *	4520 *	3320	3040*	2330	2080*	2080*	9.24
3.0 m			10520 *	10520 *	7780*	7240	5980 *	4620	4990 *	3170	4020*	2260	2150*	2020	9.49
1.5 m			9670 *	9670 *	9420*	6720	6840 *	4330	5490 *	3010	4430*	2180	2290*	1980	9.48
0 m			8630 *	8630 *	10260*	6290	7390 *	4090	5780 *	2880	3820*	2130	2530*	2040	9.22
-1.5 m	6980 *	6980*	10790 *	10790 *	10310*	6150	7490 *	3960	5780 *	2820			2960*	2240	8.69
-3.0 m	9650 *	9650*	14520 *	12360	9890*	6220	7240 *	4010	5410 *	2900			3860*	2640	7.85
-4.5 m	14000 *	14000*	12320 *	12260 *	8590*	6450	6140 *	4250 *					4950*	3470	6.70

### CX235C BLADE. Version Standard arm. 2.94 m arm length, 0.90 m<sup>3</sup> bucket, 600G shoes, max reach 9.85 m - Blade up

9.0 m							3090 *	3090 *					2470*	2470*	6.26
7.5 m							3950 *	3950 *	2960 *	2960*			2180*	2180*	7.76
6.0 m							4330 *	4330 *	3980 *	3270			2080*	2080*	8.69
4.5 m			5010 *	5010*	5760*	5760*	4980 *	4660	4520 *	3160	3040*	2210	2080*	2080*	9.24
3.0 m			10520 *	10520 *	7780*	6970	5980 *	4410	4670	3010	3400	2140	2150*	1910	9.49
1.5 m			9670 *	9670 *	9420*	6380	6470	4110	4510	2860	3320	2060	2290*	1870	9.48
0 m			8630 *	8630 *	9910	5950	6210	3870	4370	2730	3260	2010	2530*	1930	9.22
-1.5 m	6980	6980	10790 *	10790 *	9730	5810	6070	3750	4290	2660			2960*	2120	8.69
-3.0 m	9650 *	9650*	14520 *	11600	9740	5890	6110	3800	4380	2750			3860	2500	7.85
-4.5 m	14280 *	14280*	12320 *	11700	8590*	6120	6210	4050					4950*	3290	6.70

\* Lift capacities are taken in accordance with SAE J1097 / ISO 10567 / DIN 15019-2

Lift capacities shown in kg do not exceed 75% of the tipping load or 87% of the hydraulic lift capacity

Capacities that are marked with an asterisk (\*) are hydraulic limited

If the machine is equipped with a quick coupler, subtract the weight of the quick coupler from the load shown in the table to calculate the real lift capacity



**CASE CONSTRUCTION EQUIPMENT**  
**CONTACT INFORMATION**  
**AUSTRALIA**  
**31-53 Kurrajong Road**  
**St. Marys nsw 2760**

**CASE** Customer Assistance  
**1300 99 CASE**

**NOTE:** CASE provides specific outfits for various countries and many optional fittings (OPT). The illustrations on this or other leaflets may relate to standard or optional fittings. Please consult your CASE dealer for any information in this regard and any possible updating on components. CNH Industrial reserves the right to modify machine specifications without incurring any obligation relating to such changes.

