

Series: AWM95
Australian Army commanders' diaries
[Vietnam]

Signals units

Item number: 6/2/54

Item: 104 Signal Squadron

Narrative

Annex

[1 Sep - 16 Oct 1971]

PART 3

COMMANDERS DIARIES
INSTRUCTIONS

AIM

1. The aim of a Commanders Diary is to provide data on which to base future improvements in Army training, equipment, organization and administration, and to furnish historians with a record of the activities of units and formations in operational and non-operational periods in peace and in war.

GENERAL

- 2. Entries are to be made daily on AF C 2118 (Adapted) each entry being initialled by the officer detailed to keep it.
- 3. Commanders Diaries will conform with the rules for drafting orders given in "Staff Duties (Australia)", Chapter 2, Section 12.

RESPONSIBILITY

During Non-operational Periods

4. A Commanders Diary is to be compiled by commanders of all formations.

During Operational Periods (1)

- 5. A Commanders Diary is to be compiled in duplicate by:
 - a. Commanders of all formations.
 - b. Each branch of the staff at formation headquarters commanded by a brigadier or above.
 - c. Heads of services not below the rank of lieutenant colonel.
 - d. Personal staffs and officers holding special appointments.
 - e. Unit commanders.
 - f. Commanders of a detachment of a unit when so ordered.

COMPILATION

- 6. Both original and duplicate copies are to consist of:
 - a. Cover (AF C 2119) (Adapted).
 - b. Index as printed on cover.
 - c. Narrative (AF C 2118) (Adapted).
 - d. Annexes as shown in the Index.
- 7. All details of the unit or formation (if a detachment is concerned, the name of the parent unit), period covered and enclosure numbers of the annexes are to be shown on the cover. If there has been a change of command since the last report, the date of assumption by the new commanding officer is to be included.
- 8. The annexes are to be assembled in the groups shown on the cover. If there are no enclosures for an annex NII will be entered on the cover. If additional annexes are convenient for a particular headquarters starting at B.

for operations form Annex "Z", "TOP SECRET the document. It is to be prepared and disposed of as

ITEMS

es as well as map references), establishment, equipment
d orders given.
e day's fighting, including company movements.
mmander with regard to equipment, tactics, organization

tential importance.
o officers, men and equipment.
pment captured.
employed in the time not accounted for. The type of

and to save work as much information as possible is to
uments issued and received, routine returns, etc. All
and the time of receipt or despatch is to be given.

he annexes, but need not give a precis of any of them.

(continued on back cover)

AWM 177
[6/2/Sep 71]

COMMANDERS DIARIES
TOP SECRET

DISPOSAL

13. **Original Commander's Diary.** This is to be forwarded monthly, unless otherwise ordered, by the seventh day of the succeeding month direct to AHQ.

14. **Duplicate Commander's Diary.** This must be clearly marked as a duplicate. It is to be sent separately from the original to AHQ one month after the original has been despatched but not before the former has been acknowledged.

15. When overseas, both copies of diaries are to be sent through the Army Records organization in the overseas theatre but at different times.

16. **TOP SECRET Supplementary Diaries.**

a. The documents referred to in Paragraph 9 together with a list of them made out on AF C 2118 (Adapted) must be placed in separate cover (AF C 2119) (Adapted). All details must be filled in and the cover clearly marked in red: "ANNEX Z — OFFICER ONLY". It may be convenient to group the papers by appendices.

b. Supplementary diaries must be forwarded under the normal rules for TOP SECRET correspondence, to AHQ. The inner envelope must be plainly marked:

TOP SECRET

ANNEX Z to

Commanders Diary of.....(Formation or Unit)

From.....to..... (Dates)

c. The duplicate supplementary diaries must be despatched as shown in Paragraph 14 as soon as receipt of the original has been acknowledged.

AWM 177
[6/2/Sep 71]

COMMANDERS DIARY NARRATIVE

L607 SE Asia sheets 6330, 6430, and

UNIT/FORMATION 104 Sig Sqn

MONTH AND YEAR Sep / Oct 71

REFERENCE MAP 6530 VIETNAM, Edition 3, 1:100,000

COMMANDING OFFICER Maj. A.G. ROBERTS

Place and grid reference	Date	Time	Event or information	Annex letter and enclosure number
Nui Dat	2-7 Sep 71		Visit by Maj N. Symons (CMF)	
Long Binh	6-28 Sep 71		Cpl N.W. Haskett attended VHF ops course at Long Binh	
Nui Dat	6 Sep 71		Aug monthly report issued	Annex L enc/I
Nui Dat	10 Sep 71		9 man fighting patrol to AO Kingsgrove	
Nui Dat	16 Sep 71		Last reinforcements received into unit	
Nui Dat	24 Sep 71		Visit by CSO AFV	
Vung Tau	27 Sep 71		Redeployment of det with 161 Recce Flt to Vung Tau Airbase	
Nui Dat	27 Sep 71		Estb VHF voice link JWTC, Nui Dat, Saigon for HQ AFV	
Nui Dat	30 Sep 71		RR System 69 deactivated and working channels transferred to System W56	
Baria	30 Sep 71		Completion of erection of 102 ft mast at sector HQ TOC Baria	
Nui Dat	30 Sep 71		Advance Party of 1 offr 8OR's departed	
Nui Dat	1 Oct 71		1 ATF comcen transferred to Veh mounted comcen provided by 110 Sig Sqn	
Nui Dat	2 Oct 71		Det with 3RAR withdrawn	
Bearcat	7 Oct 71		Det with RTAVF (Bearcat) withdrawn	
Vung Tau	7 Oct 71		Det deployed to Vung Tau to estb new 1 ATF CP	
Vung Tau	7 Oct 71		Det deployed to VC Hill as retransmission det	
NUI DAT	8 Oct 71		SOI's OCTOBER 71 ISSUED	ANNEX C, encl 3.

COMMANDERS DIARY NARRATIVE

MONTH AND YEAR Sep / Oct 71

REFERENCE MAP AS ABOVE

UNIT/FORMATION 104 Sig Sqn

COMMANDING OFFICER Maj A.G. ROBERTS

Place and grid reference	Date	Time	Event or information	Annex letter and enclosure number
Xuyen Moc	8 Oct 71		Det with LO at Xuyen Moc withdrawn	
Vung Tau	10 Oct 71		CP at Vung Tau estb and HQ 1 ATF (rear) joined 1 ATF comd net	
Nui Dat	11 Oct 71		Ebony swbd disconnected and replaced by one swbd SB-8G/PT	
Nui Dat	12 Oct 71		ACV 85C (comcen) deployed with 4 RAR/NZ (ANZAC) for VHF RTT link	
Nui Dat	12 Oct 71		Det with LO at Dat Do transferred to 2/43 ARVN Inf Bn Nui Dat	
Nui Dat/Vung Tau	16 Oct 71	1600 hrs	HQ 1 ATF (main) closed Nui Dat and reopened Vung Tau	
Nui Dat	16 Oct 71		Radio bunker on Nui Dat hill closed	
Nui Dat	16 Oct 71		Swbd SB-86/PT closed	
Nui Dat/Vung Tau	16 Oct 71	1600 hrs	Op committment of 104 Sig Sqn passed to a Rear Tp of 1 offr, 37 OR's under comd of 110 Sig Sqn for local admin	
Vung Tau	4 Nov 71		4 OR's crossed posted in theatre	
Vung Tau	6 Nov 71		1 offr 1 OR crossposted in theatre	
Vung Tau	6 Nov 71		Main Body of 1 offr, 60 OR's to embark HMAS Sydney	
VUNG TAU	3 Nov 71		SEP/OCT MONTHLY REPORT ISSUED	ANNEX 4, encl 2

C O N F I D E N T I A L

1 ATF SOI - OCTOBER

INDEX

C O N F I D E N T I A L

1 ATF SOI - OCTOBER

INDEX

Item No		Item No	
1	Index		
2	Distribution	17	RAAC Nets
3	Effective Date/Time of Changes	18	RAA Nets
4	General Instructions	19	RAE Nets
5	General Information	20	3 RAR Nets
6	Signals Despatch Services	21	4 RAR Nets
7	Reserved	22	Miscellaneous Nets
	<u>FREQUENCY SECTION</u>	23	(Issued to 104 Sig Sqn Dets only)
8	Frequency Designators	24	Reserved
9	Reserved		
	<u>RADIO SECTION</u>		<u>CODES SECTION</u>
10	1 ATF Net Callsigns	25	Operations and Numeral Codes
11	1 ATF Comd Net	26	Address Groups
12	1 ATF Secure Comd Net	27	Location Indicators
13	1 ATF Rear Comd Net	28	Personal Callwords
14	1 ATF Comd Net (HF)		
15	Comd 1 ATF Secure Net		
16	1 ATF Base Defence Net		

C O N F I D E N T I A L

Item 1

Page 1 of 2

C O N F I D E N T I A L

Item 1

Page 2 of 2

C O N F I D E N T I A L

1 ATF SOI - OCTOBER

EFFECTIVE DATE/TIME OF CHANGES

1. Period 1
From 010001H To 062400H
2. Period 2
From 070001H To 152400H
3. Period 3
From 160001H To 222400H
4. Period 4
From 230001H To 312400H

ANNEX C TO
R707-1-1
DATED 4 NOV 71.

C O N F I D E N T I A L

Item 3

Page 1 of 1

C O N F I D E N T I A L

1 ATF SOI - OCTOBER

FREQUENCY DESIGNATORS

	Period 1	Period 2	Period 3	Period 4
	1-6	7-15	16-22	23-31
31.60	60S	56F	60W	39T
34.95	60A	95A	56V	95Q
35.00	56U	84A	60V	28A
35.05	60T	39A	39U	95R
35.55	95B	56E	84B	28B
35.65	60U	60B	39V	95S
35.85	84T	39B	60R	39W
35.90	95C	72A	56D	95T
35.95	56T	39C	84C	39Z
36.45	60C	84U	56W	95U
36.70	95D	60D	39X	28C
37.00	60E	56C	60Q	95V
37.05	56A	72D	84D	39Y
37.15	95E	60F	56X	95W
37.35	99A	99A	99A	99A
37.45	72E	60X	56Y	39S
37.55	60G	56B	84E	95X
37.70	72F	60Y	56G	39R
38.40	95F	60H	60P	84X
38.90	60I	72G	84F	39Q
39.25	72H	56H	60J	84Y

C O N F I D E N T I A L

1 ATF SOI - OCTOBER

FREQUENCY DESIGNATORS

	Period 1	Period 2	Period 3	Period 4
	1-6	7-15	16-22	23-31
39.50	84S	60Z	72I	39P
39.95	95G	39D	56I	84Z
40.70	84R	60K	84G	39O
41.20	95H	72J	56J	95Y
41.25	60L	95Z	84H	56Z
41.35	72L	56K	84I	72Y
41.40	95I	39E	60M	72Z
42.50	84Q	60N	72K	39N
43.10	95J	72M	56M	72X
43.20	72N	56S	60O	39M
43.30	95L	56L	84J	72W
43.45	72O	39F	56N	39L
43.50	84P	95P	84K	72V
43.60	72P	39G	56O	39K
43.80	95M	56R	84L	72S
43.90	72Q	56P	84M	39J
43.95	84O	95O	39H	72T
44.20	72R	84V	56Q	39I
44.35	84W	95N	84N	72U
44.60	77J	80F	28Z	80S
44.90	28D	91B	77K	91D

C O N F I D E N T I A L

Item 8

Page 1 of 9

C O N F I D E N T I A L

Item 8

Page 2 of 9

C O N F I D E N T I A L

1 ATF SOI - OCTOBER

FREQUENCY DESIGNATORS

	Period 1	Period 2	Period 3	Period 4
45.05	10A	77I	80T	91E
45.20	91C	30A	77H	80U
45.25	28K	80V	91A	77G
45.60	91G	30B	10E	28Y
45.85	10B	77F	28S	91F
46.10	91H	28J	77L	10F
46.25	77E	91I	10D	80R
46.30	28E	77D	91J	10G
46.40	10C	80A	28L	80Q
46.55	80W	28I	10H	91K
46.80	77C	10J	91L	30D
47.35	28F	80B	91M	80P
47.45	10K	91N	77B	28X
47.90	80C	28H	91O	30E
47.95	80X	10L	91P	77A
48.70	28G	91Q	10M	91R
48.85	80Y	77Z	28R	10N
49.00	91S	30C	10O	80O
49.35	80Z	28M	77Y	91T
49.95	91V	10P	80D	77X
50.40	10Q	28N	91U	30F

C O N F I D E N T I A L

Item 8

Page 3 of 9

C O N F I D E N T I A L

1 ATF SOI - OCTOBER

FREQUENCY DESIGNATORS

	Period 1	Period 2	Period 3	Period 4
50.55	91W	10R	30G	77V
50.75	77W	80E	10S	80N
51.30	30H	10T	80G	28Q
51.65	91Y	30I	91X	77U
52.50	30J	77T	28O	30K
52.70	91Z	80H	10U	30L
52.85	16A	77S	30M	10V
54.20	30N	16B	77R	80M
54.60	16C	30U	28P	77Q
55.00	30O	16D	10W	16E
55.20	30P	77P	80I	30S
55.30	30V	28T	10X	80L
55.35	30Q	10Y	77O	16F
55.40	16H	80J	16G	28W
55.60	30R	77N	28U	30W
55.90	16I	16J	10Z	30T
56.05	28V	77M	80K	16K
56.10	33A	16M	52L	88N
56.15	33N	88A	62A	59A
56.20	59X	52M	33O	62W
56.35	16L	88B	62B	59B

C O N F I D E N T I A L

Item 8

Page 4 of 9

C O N F I D E N T I A L

1 ATF SOI - OCTOBER

FREQUENCY DESIGNATORS

C O N F I D E N T I A L

1 ATF SOI - OCTOBER

FREQUENCY DESIGNATORS

	Period	Period	Period	Period		Period	Period	Period	Period
	1	2	3	4		1	2	3	4
	1-6	7-15	16-22	23-31		1-6	7-15	16-22	23-31
56.50	52N	33M	16N	62X	60.05	52C	52W	16T	57G
56.55	33B	88C	62C	59C	61.25	30X	88K	62L	59O
56.60	59Y	52O	33C	62Y	61.35	88Z	52E	59N	57H
56.70	33L	16O	62D	59D	61.40	52X	88L	62M	59P
56.80	59Z	52P	59G	33D	61.50	62Q	30Y	57I	52H
56.85	16Z	88D	33E	62Z	61.65	33V	88M	52Y	57J
57.10	88T	33G	52Q	59E	61.85	62R	52F	52G	59Q
57.25	33F	88E	62E	57A	61.95	33W	88O	30Z	57K
57.40	88U	16P	33H	59F	62.30	62S	16U	62N	52Z
57.60	88F	52R	62F	57B	62.50	33X	88P	52I	16W
57.65	16Y	88G	59H	33I	62.60	62T	59S	62O	57L
58.25	52S	33J	62G	57C	63.05	33Y	16V	59R	59V
58.45	88V	88H	16Q	59I	63.30	62U	88Q	52J	59W
58.65	52A	33K	52T	57D	63.40	33Z	59T	62P	57M
58.90	33S	88I	62H	59J	63.65	62V	88R	59U	52K
59.10	88W	59K	33P	16R	64.55	17A	75G	93A	25K
59.35	59L	33R	62I	52U	65.15	93B	25J	75H	17P
59.40	33T	16X	33Q	57E	65.20	75V	17O	93D	25L
59.60	88X	52B	62J	16S	65.70	75A	17D	25I	75I
59.70	33U	88J	52V	57F	66.95	93C	75B	17N	25M
59.75	88Y	88S	62K	59M	67.30	17B	25H	75J	93E

C O N F I D E N T I A L

Item 8

Page 5 of 9

C O N F I D E N T I A L

Item 8

Page 6 of 9

C O N F I D E N T I A L

1 ATF SOI - OCTOBER

FREQUENCY DESIGNATORS

C O N F I D E N T I A L

1 ATF SOI - OCTOBER

FREQUENCY DESIGNATORS

	Period	Period	Period	Period		Period	Period	Period	Period
	1	2	3	4		1	2	3	4
	1-6	7-15	16-22	23-31		1-6	7-15	16-22	23-31
67.55	17Z	75C	25G	17Q	235.00	27G	68G	92F	94X
67.85	75D	17M	93F	25N	241.00	31Y	94G	68W	92T
68.15	75E	17C	93G	75K	243.00	12S	27U	92G	74S
68.40	17Y	25F	75F	17R	247.30	27H	68F	94M	74I
68.70	75U	17L	25E	75L	259.60	31Z	27T	68X	92S
69.00	75T	93H	17E	25O	269.60	27I	68E	92H	74H
70.25	17X	25B	75M	17S	312.10	12T	27S	68Y	94Y
70.65	75S	17F	25A	93I	380.20	27J	68D	92J	74T
71.05	93J	17K	75N	25P	388.10	12U	27R	68Z	74G
71.35	75R	93K	17G	25Q	149.25	12V	68C	94L	92R
71.90	17W	93L	25C	17J	2056	27L	94H	92L	74U
72.00	93M	17J	75O	25R	2220	12W	27Q	92K	74F
73.45	93N	25D	75P	17H	2422	27K	68B	94K	74E
74.60	17V	25S	93O	17U	2452	12X	27P	92M	94Z
74.95	25U	75Q	17I	25T	2540	27M	94J	74D	92P
122.60	12P	94F	68T	92V	2575	12Y	27O	92N	74C
122.90	31W	27X	92D	74K	2616	12Z	68A	74A	92Q
126.20	12Q	68I	94N	74Z	2929	27N	94I	92O	74B
131.20	27F	27W	68V	94W	2690	82O	98D	50P	42Q
134.80	31X	68H	92E	74J	2776	63N	82T	98H	50W
134.90	12R	27V	68U	92U	2780	82P	98E	50Q	42P

C O N F I D E N T I A L

Item 8

Page 7 of 9

C O N F I D E N T I A L

Item 8

Page 8 of 9

C O N F I D E N T I A L

† ATF SOI - OCTOBER

FREQUENCY DESIGNATORS

	Period 1	Period 2	Period 3	Period 4
	1-6	7-15	16-22	23-31
2805	630	82U	420	70E
3164	82Q	98F	82W	50X
3244	63P	82V	98G	50Y
3271	78A	11A	83K	78C
3298	83J	83A	78W	11C
3645	78V	43A	11B	83L
3706	11G	83W	78B	11D
3714	83I	11E	43B	78X
3816	11H	78Y	83B	78D
3871	78U	11F	83M	78T
4137	11J	83G	78E	11M
4182	83Y	78F	11L	83C
4490	43C	11K	83N	78Q
4660	78P	83V	11N	78Z
5185	11P	83X	78G	11Q
5215	83Z	43D	110	83D
5752	11S	43E	78H	830
5756	780	83U	11R	78R
5908	11T	83E	78I	11Z
9319	43F	78K	11W	83P
22750	11U	78L	83F	11Y
23420	83T	11V	78J	83Q
26150	78N	83S	11X	78S

C O N F I D E N T I A L

Item 8

Page 9 of 9

C O N F I D E N T I A L

1 ATF SOI - OCTOBER

1 ATF NET CALLSIGNS

C O N F I D E N T I A L

1 ATF SOI - OCTOBER

1 ATF NET CALLSIGNS

Ser No	Net Callsign	Ser No	Net Callsign	Net	Net Callsign			
					Period			
					1	2	3	4
					1-6	7-15	16-23	24-31
1	Star Fish	22	Self Serve					
2	Tin Tack	23	Round Pin					
3	Bonus Boy	24	Dead End					
4	Short Time	25	Used Paper	1 ATF Cond Net (Pri)	1	6	20	40
5	Cast Iron	26	Button Down	1 ATF Comd Net (Alt)	4	10	27	42
6	Steel Box	27	Turn About					
7	Dark Realm	28	Mad Dog	1 ATF Secure Comd Net (Pri)	7	9	16	26
8	Water Shed	29	Sharp Knife	1 ATF Secure Comd Net (Alt)	15	25	31	36
9	Cold Drink	30	Deep Hole					
10	Slack Suit	31	Hand Wash	1 ATF Rear Comd Net (Pri)	5	19	21	29
11	Long Rule	32	Torn Bag	1 ATF Rear Comd Net (Alt)	3	17	35	39
12	Rubber Mat	33	Camera Case					
13	Bright Sun	34	Ink Bottle	Comd 1 ATF Secure Net (Pri)	12	14	30	37
14	Cross Bow	35	Tennis Match	Comd 1 ATF Secure Net (Alt)	2	11	18	41
15	Blue Pen	36	Broken Bulb					
16	New Boat	37	Tablet Taker	1 ATF Base Defence Net (Pri)	8	13	23	33
17	Sore Hand	38	Clean Out	1 ATF Base Defence Net (Alt)	22	24	32	34
18	Old Watch	39	Plastic Circle					
19	Worn Rubber	40	Bush Walk					
20	Steady Mast	41	News Sheet					
21	Black Ribbon	42	Prison Break					

C O N F I D E N T I A L

Item 10

Page 1 of 2

C O N F I D E N T I A L

Item 10

Page 2 of 2

C O N F I D E N T I A L

1 ATF SOI - OCTOBER

1 ATF COMD NET

On issue of the codeword WINDGUARD over this net, the 1 ATF Base Defence Net is to be activated.

On issue of the codeword SHOVELNOSE over this net, the 1 ATF Base Defence Net is to be activated AND all units in Nui Dat Base are to Stand To.

Only those stations on the 1 ATF Base Defence Net are required to acknowledge the above calls.

For details of the 1 ATF Base Defence Net see SOI Item 16.

C O N F I D E N T I A L

1 ATF SOI - OCTOBER

1 ATF COMD NET

Purpose	Frequency Allocation			
	Period			
	1	2	3	4
	1-6	7-15	16-22	23-31
<u>Primary</u>	67.55	43.60	61.95	58.90
Designator	17Z	39G	30Z	59J
Net Callsign	Star Fish	Steel Box	Steady Mast	Bush Walk
<u>Alternate</u>	49.00	59.40	50.55	46.25
Designator	91S	16X	30G	80R
Net Callsign	Short Time	Slack Suit	Turn About	Prison Break
<u>Retrans 1</u>	55.00	56.60	34.95	38.40
Designator	300	520	56V	84X
<u>Retrans 2</u>	61.50	49.00	59.75	65.20
Designator	62Q	30C	62K	25L

C O N F I D E N T I A L

Item 11

Page 1 of 4

C O N F I D E N T I A L

1 ATF SOI - OCTOBER

1 ATF COMD NET

C O N F I D E N T I A L

Item 11

Page 2 of 4

C O N F I D E N T I A L

1 ATF SOI - OCTOBER

1 ATF COMD NET

Station	Callsign				Station	Callsign			
	Period					Period			
	1	2	3	4		1	2	3	4
	1-6	7-15	16-22	23-31		1-6	7-15	16-22	23-31
HQ 1 ATF (Main)	20	56	98	65	HQ Coy 1 ATF	13	68	99	59
HQ 1 ATF (Rear)	32	62	90	38	HQ Coy 1 ATF (Rear)	45	80	22	39
Comd	10	50	15	78	D&E Pl	24	84	94	58
Dep Comd	40	71	24	64	1 Aust CA Unit	18	73	37	52
A Sqn 3 Cav Regt	33	52	29	76	Ready Reaction Force	31	74	40	48
A Sqn 3 Cav Regt (Rear)	11	76	33	51	MILO	36	67	12	68
Arty Tac	19	86	93	79	1 Psy Ops Unit	14	58	19	41
12 Fd Regt	26	75	14	70	TFMA	42	78	54	46
1 Fd Sqn	37	81	95	75	LO Bien Hoa	44	53	25	73
17 Const Sqn	12	63	31	50	LO Bearcat	22	65	30	57
3 RAR	21	61	11	67	LO Xuan Loc	27	87	92	53
3 RAR (Rear)	41	88	26	45	LO Baria	17	69	27	72
4 RAR	47	51	23	60	LO Dat Do	43	89	10	42
4 RAR (Rear)	34	57	28	63	LO Duc Thanh	38	83	18	56
2 SAS Sqn	25	85	91	69	LO Hoa Long	15	70	32	66
161 (Indep) Recce Flt	46	64	13	74	LO Xuyen Moc	28	59	16	43
Det 1 Div Int Unit	35	60	36	49	JWTC	30	54	20	61
1 ARU	23	55	17	71	Step Up	48	77	34	77
1 ARU (Rear)	29	82	21	55	Retrans	16	72	96	62
Forward Repair Group	69	33	70	18	Spare 1	39	79	35	44
					Spare 2	49	66	97	47

C O N F I D E N T I A L

Item 11

Page 3 of 4

C O N F I D E N T I A L

Item 11

Page 4 of 4

C O N F I D E N T I A L

1 ATF SOI - OCTOBER

1 ATF REAR COMD NET

C O N F I D E N T I A L

1 ATF SOI - OCTOBER

1 ATF REAR COMD NET

On issue of the codeword WINDGUARD over this net, the 1 ATF Base Defence Net is to be activated.

On issue of the codeword SHOVELNOSE over this net, the 1 ATF Base Defence Net is to be activated AND all units in Nui Dat Base are to Stand To.

Only those stations on the 1 ATF Base Defence Net are required to acknowledge the above calls.

For details of the 1 ATF Base Defence Net see SOI Item 16.

Purpose	Frequency			
	Period			
	1	2	3	4
	1-6	7-15	16-22	23-31
<u>Primary</u>	51.30	66.95	57.10	64.55
Designator	30H	75B	52Q	25K
Net	Cast	Worn	Black	Sharp
Callsign	Iron	Rubber	Ribbon	Knife
<u>Alternate</u>	61.65	56.35	68.40	59.75
Designator	33V	88B	75F	59M
Net	Bonus	Sore	Tennis	Plastic
Callsign	Boy	Hand	Match	Circle

Item 13

C O N F I D E N T I A L

Page 1 of 4

Item 13

C O N F I D E N T I A L

Page 2 of 4

C O N F I D E N T I A L

1 ATF SOI - OCTOBER

1 ATF REAR COMD NET

C O N F I D E N T I A L

1 ATF SOI - OCTOBER

1 ATF REAR COMD NET

Station	Callsign				Station	Callsign			
	Period					Period			
	1	2	3	4		1	2	3	4
	1-6	7-15	16-22	23-31		1-6	7-15	16-22	23-31
HQ 1 ATF Rear	19	64	15	40	D&E Pl	24	84	91	61
Comd	10	50	90	69	1 Aust CA Unit	41	53	36	48
Dep Comd	43	60	14	46	Ready Reaction Force	23	83	10	78
A Sqn 3 Cav Regt	29	62	17	51	MILO	36	72	12	60
Arty Tac	13	85	37	72	1 Psy Ops Unit	27	80	22	52
12 Fd Regt	38	52	16	58	TFMA	22	56	94	65
1 Fd Sqn	34	71	97	68	LO Bien Hoa	12	73	98	66
17 Const Sqn	42	75	24	47	LO Bearcat	31	55	34	70
3 RAR	18	82	11	55	LO Xuan Loc	40	58	92	42
4 RAR	28	70	26	80	LO Baria	33	67	35	73
2 SAS Sqn	16	51	30	57	LO Dat Do	21	76	20	49
161 (Indep) Recce Flt	20	81	19	67	LO Duc Thanh	17	61	25	56
Det 1 Div Int Unit	37	59	28	71	LO Hoa Long	35	74	33	74
1 ARU	47	86	27	75	LO Xuyen Moc	45	54	99	59
HQ Coy	11	68	18	41	JWTC	30	69	31	50
					Spare	39	63	93	43

Item 13

C O N F I D E N T I A L

Page 3 of 4

Item 13

C O N F I D E N T I A L

Page 4 of 4

C O N F I D E N T I A L

1 ATF SOI - OCTOBER

1 ATF COMD NET (HF)

C O N F I D E N T I A L

1 ATF SOI - OCTOBER

1 ATF COMD NET (HF)

Purpose	Frequency Allocation				Station	Callsign			
	Period					Period			
	1	2	3	4		1	2	3	4
	1-6	7-15	16-22	23-31		1-6	7-15	16-22	23-31
<u>Primary</u>	2056	2056	2056	2056	HQ 1 ATF	20	56	98	65
<u>Designator</u>	27L	94H	92L	74U	3 RAR	21	61	11	67
<u>Net</u>					4 RAR	47	51	23	60
<u>Callsign</u>	BE	BB	NQ	HW	161 (Indep) Recce Flt	46	64	13	74
					Spare 1	39	79	35	44
					Spare 2	41	88	26	45
					Spare 3	49	66	97	47
<u>Alternate</u>	2690	2690	2690	2690					
<u>Designator</u>	820	98D	50P	42Q					
<u>Net</u>									
<u>Callsign</u>	BW	KV	JJ	RJ					

C O N F I D E N T I A L

Item 14

Page 1 of 2

C O N F I D E N T I A L

Item 14

Page 2 of 2

C O N F I D E N T I A L

1 ATF SOI - OCTOBER

1 ATF BASE DEFENCE NET

C O N F I D E N T I A L

1 ATF SOI - OCTOBER

1 ATF BASE DEFENCE NET

This net is to be activated on receipt of the following codewords:

- a. When Stand To is Necessary:
SHOVELNOSE Given over the 1 ATF Comd Net or the 1 ATF Rear Comd Net when the Main HQ is deployed.
- b. For radio checks etc when Stand To is Not Necessary:
WINDGUARD Given over the 1 ATF Comd Net or the 1 ATF Rear Comd Net when the Main HQ is deployed.

Purpose	Frequency Allocation			
	Period			
	1	2	3	4
	1-6	7-15	16-22	23-31
<u>Primary</u>	59.60	61.65	68.70	56.55
<u>Designator</u>	88X	88M	25E	59C
<u>Net</u>	Water	Bright	Round	Camera
<u>Callsign</u>	Shed	Sun	Pin	Case
<u>Alternate</u>	71.35	56.15	48.85	54.20
<u>Designator</u>	75R	88A	28R	80M
<u>Net</u>	Self	Dead	Torn	Ink
<u>Callsign</u>	Serve	End	Bag	Bottle

Item 16

C O N F I D E N T I A L

Page 1 of 3

Item 16

C O N F I D E N T I A L

Page 2 of 3

C O N F I D E N T I A L

1 ATF SOI - OCTOBER

1 ATF BASE DEFENCE NET

Station	Permanent Callsigns
HQ 1 ATF	10
Sector 1 (3 RAR)	1
Sector 2 (A Sqn 3 Cav Regt)	2
Sector 3 (12 Fd Regt)	3
Sector 4 (HQ Coy 1 ATF)	4
Sector 5 (1 Fd Sqn)	5
Sector 6 (Forward Repair Group)	6
Sector 7 (JWTC)	7
Sector 8 (4 RAR)	8
Sector 9 (2 SAS Sqn)	9
Ready Reaction Force	11

Item 16

C O N F I D E N T I A L

Page 3 of 3

C O N F I D E N T I A L

1 ATF SOI - OCTOBER

RAAC NETS

Net	Frequency Allocation			
	Period			
	1	2	3	4
<u>A Sqn</u>	1-6	7-15	16-22	23-31
<u>3 Cav Regt</u>				
<u>Primary</u>	61.40	65.70	66.95	58.25
Designator	52X	17D	17N	57C
Net Callsign	FK	PV	VX	CY
<u>Alternate</u>	63.40	68.70	67.85	63.40
Designator	33Z	17L	93F	57M
Net Callsign	FN	XD	OC	EL
<u>Sqn Net</u>	55.60	57.60	59.40	56.10
Designator	30R	52R	33Q	88N
Net Callsign	WI	CI	EB	CW
<u>Sqn Net</u>	56.80	61.85	62.30	56.80
Designator	59Z	52F	62N	33D
Net Callsign	FB	YZ	YC	GF

C O N F I D E N T I A L

1 ATF SOI - OCTOBER

RAAC NETS

Net	Frequency Allocation			
	Period			
	1	2	3	4
<u>A Sqn</u>	1-6	7-15	16-22	23-31
<u>3 Cav Regt</u>				
<u>1 Tp Primary</u>	46.80	46.25	54.60	47.35
Designator	77C	91I	28P	80P
Net Callsign	WV	TU	KH	SR
<u>1 Tp Alternate</u>	42.50	41.40	43.45	41.40
Designator	84Q	39E	56N	72Z
Net Callsign	MJ	DJ	LK	IX
<u>2 Tp Primary</u>	49.35	47.95	56.55	50.75
Designator	80Z	10L	62C	80N
Net Callsign	KO	SD	AE	TO
<u>2 Tp Alternate</u>	43.90	43.95	44.60	43.95
Designator	72Q	950	28Z	72T
Net Callsign	UO	IU	QV	UK

C O N F I D E N T I A L

Item 17 Page 1 of 3

C O N F I D E N T I A L

Item 17 Page 2 of 3

C O N F I D E N T I A L

1 ATF SOI - OCTOBER

RAAC NETS

Net	Frequency Allocation			
	Period			
	1	2	3	4
<u>A Sqn</u>	1-6	7-15	16-22	23-31
<u>3 Cav Regt</u>				
<u>3 Tp Primary</u>	52.85	52.50	57.40	55.35
Designator	16A	77T	33H	16F
Net Callsign	WF	QL	AB	WX
<u>3 Tp Alternate</u>	45.60	44.90	46.40	45.20
Designator	91G	91B	28L	80U
Net Callsign	TC	ZU	QS	SW
<u>Convoy</u>	37.00	35.05	35.85	35.95
Designator	60E	39A	60R	39Z
Net Callsign	LD	OD	IC	MX
<u>Spare</u>	39.50	37.55	39.25	37.55
Designator	84S	56B	60J	95X
Net Callsign	IZ	LV	IL	OT

C O N F I D E N T I A L

Item 17 Page 3 of 3

C O N F I D E N T I A L

1 ATF SOI - OCTOBER

RAA NETS

Net	Frequency Allocation			
	Period			
	1	2	3	4
	1-6	7-15	16-22	23-31
<u>Arty Tac</u> <u>Primary</u>	43.60	58.45	58.90	67.55
Designator	72P	88H	62H	17Q
Net Callsign	RZ	CJ	FZ	OP
<u>Alternate</u>	67.30	63.40	61.40	62.60
Designator	17B	59T	62M	57L
Net Callsign	OL	XZ	GS	EI
<u>Nui Dat Arty</u>	40.70	40.70	40.70	40.70
Designator	84R	60K	84G	390
Net Callsign	UD	LH	MT	UV
<u>Air/Ground</u> <u>Primary</u>	64.55	59.75	57.65	59.35
Designator	17A	88S	59H	52U
Net Callsign	PW	CM	XR	EC
<u>Alternate</u>	48.85	45.85	44.35	44.60
Designator	80Y	77F	84N	80S
Net Callsign	SE	SA	DQ	ZV

C O N F I D E N T I A L

Item 18

Page 1 of 4

C O N F I D E N T I A L

1 ATF SOI - OCTOBER

RAA NETS

Net	Frequency Allocation			
	Period			
	1	2	3	4
	1-6	7-15	16-22	23-31
<u>A Fd Bty</u> <u>Primary</u>	57.10	52.70	49.00	49.95
Designator	88T	80H	100	77X
Net Callsign	FC	QF	ES	SP
<u>Alternate</u>	46.30	45.05	43.80	43.90
Designator	28E	77I	84L	39J
Net Callsign	TE	KA	IT	NZ
<u>104 Fd Bty</u> <u>Primary</u>	61.35	56.10	56.20	55.00
Designator	88Z	16M	330	16E
Net Callsign	AQ	CA	GD	WO
<u>Alternate</u>	50.75	46.40	44.90	45.25
Designator	77W	80A	77K	77G
Net Callsign	KN	ZC	TB	TV
<u>Spare</u>	41.20	41.35	41.20	41.35
Designator	95H	56K	56J	72Y
Net Callsign	MH	LI	IN	US

C O N F I D E N T I A L

Item 18

Page 2 of 4

C O N F I D E N T I A L

1 ATF SOI - OCTOBER

RAA NETS

Net	Frequency Allocation			
	Period			
	1	2	3	4
	1-6	7-15	16-22	23-31
<u>LAD</u>	37.15	39.25	37.45	39.50
Designator	95E	56H	56Y	39P
Net Callsign	OR	LG	IJ	IY
<u>Defence-Net</u>	34.95	35.95	35.55	35.05
Designator	60A	39C	84B	95R
Net Callsign	OA	OZ	OF	DY
<u>131 Svy</u>	35.85	37.15	36.45	37.00
Designator	84T	60F	56W	95V
Net Callsign	OH	IF	ID	OP
<u>Spare</u>	44.90	43.50	42.50	43.30
Designator	28D	95P	72K	72W
Net Callsign	KU	DM	DK	UH
<u>Spare</u>	55.20	48.85	46.30	46.55
Designator	30P	77Z	91J	91K
Net Callsign	SK	ZE	QX	ST

C O N F I D E N T I A L

Item 18

Page 3 of 4

C O N F I D E N T I A L

1 ATF SOI - OCTOBER

RAA NETS

Net	Frequency Allocation			
	Period			
	1	2	3	4
	1-6	7-15	16-22	23-31
<u>Spare</u>	56.20	50.75	47.35	47.95
Designator	59X	80E	91M	77A
Net Callsign	FA	ZI	QR	TR
<u>Spare</u>	58.25	55.20	51.65	51.30
Designator	25S	77P	91X	28Q
Net Callsign	GH	ZM	QE	SO
<u>Spare</u>	59.40	56.05	55.30	52.85
Designator	33T	77M	10X	10V
Net Callsign	AN	ZS	KI	ZL
<u>Spare</u>	62.60	56.85	56.80	56.50
Designator	62T	88D	59G	62X
Net Callsign	FM	GC	CF	AF

C O N F I D E N T I A L

Item 18

Page 4 of 4

C O N F I D E N T I A L

1 ATF SOI - OCTOBER

3 RAR NETS

Net	Frequency Allocation			
	Period			
	1	2	3	4
<u>Bn Comd</u>	1-6	7-15	16-22	23-31
<u>Primary</u>	58.90	67.55	58.45	43.60
Designator	33S	75C	16Q	39K
Net Callsign	GL	VI	GI	BB
<u>Alternate</u>	35.05	36.45	37.55	60.05
Designator	60T	84U	84E	57G
Net Callsign	DW	OL	MC	FS
<u>A/Air Primary</u>	68.70	59.70	50.75	57.40
Designator	75U	88J	10S	59F
Net Callsign	VO	OX	WW	AZ
<u>Alternate</u>	43.95	39.50	41.35	56.35
Designator	840	60Z	84I	59B
Net Callsign	MO	MF	IO	FY
<u>Tac Air</u>	60.05	61.50	57.60	43.10
Designator	52C	30Y	62F	72X
Net Callsign	AP	CO	EA	MR

C O N F I D E N T I A L

1 ATF SOI - OCTOBER

3 RAR NETS

Net	Frequency Allocation			
	Period			
	1	2	3	4
<u>C Coy</u>	1-6	7-15	16-22	23-31
<u>Primary</u>	56.50	54.60	48.70	52.70
Designator	52N	30U	10M	30L
Net Callsign	GA	SJ	WD	KG
<u>Alternate</u>	41.25	58.65	35.95	44.35
Designator	60L	33K	84C	72U
Net Callsign	DR	GK	DZ	UL
<u>D Coy Primary</u>	54.20	42.50	56.60	54.60
Designator	30N	60N	33C	77Q
Net Callsign	QG	IP	YL	TW
<u>Alternate</u>	45.25	35.55	45.20	45.05
Designator	28K	56E	77H	91E
Net Callsign	KT	LB	TA	ZW
<u>Retrans</u>	37.05	51.65	46.25	61.65
Designator	56A	30I	10D	57J
Net Callsign	TD	ZJ	WC	OZ

Item 20 C O N F I D E N T I A L Page 1 of 4

Item 20 C O N F I D E N T I A L Page 3 of 4

C O N F I D E N T I A L

1 ATF SOI - OCTOBER

3 RAR NETS

Net	Frequency Allocation			
	Period			
	1	2	3	4
<u>A Coy</u>	1-6	7-15	16-22	23-31
<u>Primary</u>	38.40	55.60	54.20	55.90
Designator	95F	77N	77R	70T
Net Callsign	LF	ZP	SM	WL
<u>Alternate</u>	43.10	46.55	55.40	35.85
Designate	95J	21I	16G	39W
Net Callsign	HX	KB	QJ	OJ
<u>B Coy Primary</u>	57.40	48.70	39.50	59.10
Designator	88U	91Q	72I	16R
Net Callsign	FD	QB	UE	YT
<u>Alternate</u>	35.95	45.25	37.15	37.05
Designator	56T	80V	56X	39Y
Net Callsign	LC	EY	UA	MV
<u>Mortar Pl</u>	51.65	64.55	43.95	50.55
Designator	91Y	75G	39H	75V
Net Callsign	TJ	RS	UN	QD

C O N F I D E N T I A L

1 ATF SOI - OCTOBER

3 RAR NETS

Net	Frequency Allocation			
	Period			
	1	2	3	4
<u>Sp Coy</u>	1-6	7-15	16-22	23-31
<u>Primary</u>	62.30	62.50	43.20	41.20
Designator	62S	88P	600	95Y
Net Callsign	FL	CR	IQ	UG
<u>Alternate</u>	55.35	56.50	56.15	45.85
Designator	30Q	33M	62A	91F
Net Callsign	ZN	AH	CB	EW
<u>FSB Def</u>	56.05	37.45	59.35	43.50
Designator	28V	60X	62I	72V
Net Callsign	WJ	DE	YG	UI
<u>3 RAR Rear</u>	47.35	43.80	61.85	48.85
Designator	28F	56R	52G	10N
Net Callsign	KQ	TZ	EG	TQ

Item 20 C O N F I D E N T I A L Page 2 of 4

Item 20 C O N F I D E N T I A L Page 4 of 4

C O N F I D E N T I A L

1 ATF SOI - OCTOBER

4 RAR NETS

C O N F I D E N T I A L

1 ATF SOI - OCTOBER

4 RAR NETS

Net	Frequency Allocation				Net	Frequency Allocation			
	Period					Period			
	1	2	3	4		1	2	3	4
<u>Bn Comd</u>	1-6	7-15	16-22	23-31	<u>C Coy</u>	1-6	7-15	16-22	23-31
<u>Primary</u>	58.45	58.90	43.60	61.95	<u>Primary</u>	50.55	46.30	38.40	37.45
<u>Designator</u>	88V	88I	560	57K	<u>Designator</u>	91W	77D	60P	39S
<u>Net Callsign</u>	AM	YH	DN	YY	<u>Net Callsign</u>	TI	SB	MD	MU
<u>Alternate</u>	41.35	38.40	43.90	43.20	<u>Alternate</u>	46.40	59.10	59.70	57.65
<u>Designator</u>	72L	60H	84M	39M	<u>Designator</u>	10C	59K	52V	33I
<u>Net Callsign</u>	MI	UB	MN	UW	<u>Net Callsign</u>	KR	CK	XX	YR
<u>A/Air</u>					<u>D Coy Primary</u>	45.20	47.35	41.25	39.25
<u>Primary</u>	52.70	41.20	51.30	41.25	<u>Designator</u>	91C	80B	84H	84Y
<u>Designator</u>	91Z	72J	80G	56Z	<u>Net Callsign</u>	ZT	TT	DI	UF
<u>Net Callsign</u>	TK	LX	KF	LL	<u>Alternate</u>	55.30	56.80	52.85	59.60
<u>Alternate</u>	39.25	63.05	65.70	62.30	<u>Designator</u>	30V	52P	30M	16S
<u>Designator</u>	72H	16V	25I	52Z	<u>Net Callsign</u>	EM	YP	EP	AX
<u>Net Callsign</u>	DG	CS	ON	CV	<u>Sp Coy</u>	43.30	50.55	55.20	46.30
<u>Tac Air</u>	44.35	56.20	45.60	43.80	<u>Designator</u>	95L	10R	80I	10G
<u>Designator</u>	84W	52M	10E	72S	<u>Net Callsign</u>	LZ	SZ	TX	EV
<u>Net Callsign</u>	MQ	XN	QW	UJ					

C O N F I D E N T I A L

Item 21 Page 1 of 4

C O N F I D E N T I A L

Item 21 Page 3 of 4

C O N F I D E N T I A L

1 ATF SOI - OCTOBER

4 RAR NETS

C O N F I D E N T I A L

1 ATF SOI - OCTOBER

4 RAR NETS

Net	Frequency Allocation				Net	Frequency Allocation			
	Period					Period			
	1	2	3	4		1	2	3	4
	1-6	7-15	16-22	23-31	<u>Mortar Pl</u>	1-6	7-15	16-22	23-31
<u>Base Defence</u>	59.70	61.35	55.60	51.65	<u>Primary</u>	35.55	34.95	43.30	65.15
<u>Designator</u>	33U	52E	28U	77U	<u>Designator</u>	95B	95A	84J	17P
<u>Net Callsign</u>	AO	CN	WK	EQ	<u>Net Callsign</u>	OE	OB	DL	XL
<u>V Coy Primary</u>	36.45	35.85	35.05	35.55	<u>Alternate</u>	47.95	43.10	46.55	44.90
<u>Designator</u>	60C	39B	39U	28B	<u>Designator</u>	80X	72M	10H	91D
<u>Net Callsign</u>	DV	LV	LR	IB	<u>Net Callsign</u>	QO	UQ	ZB	SX
<u>Alternate</u>	57.60	54.20	56.50	55.30	<u>Boat Pl</u>	56.10	43.90	49.95	47.45
<u>Designator</u>	88F	16B	16N	80L	<u>Designator</u>	33A	56P	80D	28X
<u>Net Callsign</u>	AA	TM	XO	WN	<u>Net Callsign</u>	XM	DO	KE	TS
<u>B Coy Primary</u>	37.45	37.05	37.00	36.45	<u>Spare 1</u>	65.20	44.60	47.95	67.30
<u>Designator</u>	72E	72D	60Q	95U	<u>Designator</u>	75V	80F	91P	93E
<u>Net Callsign</u>	LE	OQ	OY	LP	<u>Net Callsign</u>	OM	WB	ZD	VM
<u>Alternate</u>	56.60	55.40	58.65	56.20	<u>Spare 2</u>	55.90	43.45	63.40	55.60
<u>Designator</u>	59Y	80J	52T	62W	<u>Designator</u>	16I	39F	62P	30W
<u>Net Callsign</u>	CD	EN	XV	AG	<u>Net Callsign</u>	ZQ	IR	AU	WY

C O N F I D E N T I A L

Item 21 Page 2 of 4

C O N F I D E N T I A L

Item 21 Page 4 of 4

C O N F I D E N T I A L

1 ATF SOI - OCTOBER

RAE NETS

C O N F I D E N T I A L

1 ATF SOI - OCTOBER

MISCELLANEOUS NETS

Nets	Frequency Allocation			
	Period			
	1 1-6	2 7-15	3 16-22	4 23-31
<u>1 Fd Sqn</u> <u>Primary</u> Designator Net Callsign	56.15 33N GE	67.30 25H XH	56.10 52L YO	67.85 25N XG
<u>Alternate</u> Designator Net Callsign	68.40 17Y RZ	58.25 33J YI	69.00 17E XC	59.70 57F FT
<u>LCT</u> Designator Net Callsign	52.50 30J KM	63.65 88R FO	43.10 56M LJ	57.60 57B FU
<u>17 Const Sqn</u> <u>Primary</u> Designator Net Callsign	48.70 28G KP	59.60 52B YF	62.60 620 AT	56.60 62Y XP
<u>Alternate</u> Designator Net Callsign	61.85 62R CP	51.30 10T SH	59.10 33P GM	66.95 25M RT

Nets	Frequency Allocation			
	Period			
	1 1-6	2 7-15	3 16-22	4 23-31
<u>CA Unit</u> <u>Primary</u> Designator Net Callsign	56.35 16L AI	65.15 25J RA	55.35 770 ZO	68.40 17R PY
<u>Alternate</u> Designator Net Callsign	45.05 10A WT	69.00 93H VG	65.20 93D RQ	55.20 30S QK
<u>Psy Ops</u> <u>Primary</u> Designator Net Callsign	69.00 75T RY	57.40 16P YJ	56.05 80K KL	61.40 59P YX
<u>Alternate</u> Designator Net Callsign	63.05 33Y GW	45.20 30A WA	63.65 59U EK	69.00 25C OQ

C O N F I D E N T I A L

Item 19 Page 1 of 1

C O N F I D E N T I A L

Item 22 Page 2 of 3

C O N F I D E N T I A L

1 ATF SOI - OCTOBER

MISCELLANEOUS NETS

C O N F I D E N T I A L

1 ATF SOI - OCTOBER

MISCELLANEOUS NETS

Nets	Frequency Allocation			
	Period			
	1 1-6	2 7-15	3 16-22	4 23-31
<u>Det Provost</u> <u>Primary</u> Designator Net Callsign	47.45 10K TG	65.20 170 VZ	70.25 75M VF	61.85 59Q FQ
<u>Alternate</u> Designator Net Callsign	72.00 93M VR	74.60 25S RK	64.55 93A OU	49.35 91T ZF
<u>JWTC Primary</u> Designator Net Callsign	55.40 16H KJ	59.35 33R XW	58.25 62G FV	62.50 16W AW
<u>Alternate</u> Designator Net Callsign	62.50 33X GX	62.30 16U GT	63.30 52J EJ	56.15 59A YN

Nets	Frequency Allocation			
	Period			
	1 1-6	2 7-15	3 16-22	4 23-31
<u>1 ARU</u> <u>Primary</u> Designator Net Callsign	59.75 88Y FI	37.00 56C IE	67.30 75J RP	48.70 91R SQ
<u>Alternate</u> Designator Net Callsign	67.85 75D VW	44.20 84V DP	52.50 280 ZW	65.70 75I XK
<u>Fwd Repair Gp</u> Designator Net Callsign	66.95 93C XJ	68.40 25F VH	61.35 59N OY	57.10 59E FW

C O N F I D E N T I A L

Item 22 Page 1 of 3

C O N F I D E N T I A L

Item 22 Page 3 of 3

C O N F I D E N T I A L

1 ATF SOI - OCTOBER

1 ATF OP/NUMERAL CODES

AKAC 695 T Set 1 1-2
 " 2 3-4
 " 3 5-6
 " 4 7-8
 " 5 9-10
 " 6 11-12
 " 7 13-14
 " 8 15-16
 " 9 17-18
 " 10 19-20
 " 11 21-22
 " 12 23-24
 " 13 25-26
 " 14 27-28
 " 15 29-31

AKAC 850 T Day 1 To Day 31

000094

C O N F I D E N T I A L

1 ATF SOI - OCTOBER

PERSONAL CALLWORDS

1. Callwords are convenient designators assigned to key personnel to assist in flight following and to be used when reference to the designated personnel is made over radio nets.

2. The callwords listed below are to be used for visitation purposes only.

U.S. Forces

Comd US MACV	Gallop in Ghost
Dep Comd US MACV	Blistery Wind
CG TRAC	Hot Water
Dep CG TRAC	Crown Scene

Aust and NZ Forces

Comd AFV	Braided Hair
Dep Comd AFV (COMRAAF)	Census Bureau
Comd NZ (V) Force	Oak Nut
Comd 1 ATF	Hard Rock
Dep Comd 1 ATF	Old Note
TF Air Comd	Sea Weed ✓
Psy Ops	Litter Bug

C O N F I D E N T I A L

Item 25

Page 1 of 1

C O N F I D E N T I A L

Item 28

Page 1 of 1

C O N F I D E N T I A L

1 ATF SOI - OCTOBER
ADDRESS GROUPS

- 1. HQ 1 ATF (Main)
- 2. HQ 1 ATF (Rear)
- 3. A Sqn 3 Cav Regt
- 4. 12 Fd Regt
- 5. A Fd Bty
- 6. 104 Fd Bty
- 7. Det 131 Div Loc Bty
- 8. 1 Fd Sqn
- 9. 17 Const Sqn
- 10. Det MC GP 1 ATF
- 11. A Sec 1 Topo Svy Tp
- 12. 104 Sig Sqn
- 13. 3 RAR
- 14. 4 RAR
- 15. 2 SAS Sqn
- 16. 1 ARU
- 17. 161 (Indep) Recce Flt
- 18. Det 1 Div Int Unit
- 19. Det HQ 5 Coy RAASC
- 20. 8 Fd Amb

C O N F I D E N T I A L

1 ATF SOI - OCTOBER
ADDRESS GROUPS

- 21. Det 1 OFF
- 22. Forward Repair Group
- 23. A Sqn 3 Cav Regt Wksp
- 24. 1 Fd Sqn Wksp
- 25. 1 ATF LAD
- 26. 12 Fd Regt LAD
- 27. Det 131 Div Loc Bty LAD
- 28. No 1 Det AFV Cash Office
- 29. Det AFV Provost Unit
- 30. 1 Psy Ops Unit
- 31. 1 Aust CA Unit
- 32. HQ Coy 1 ATF
- 33. Post Office AFPO 4
- 34. Det 2 AFCU
- 35. JWTC
- 36. ATOC Nui Dat (RAAF)
- 37. HQ AFV
- 38. HQ 1 ALSG
- 39. Spare
- 40. Spare

C O N F I D E N T I A L

Item 26 Page 1 of 4

C O N F I D E N T I A L

Item 26 Page 2 of 4

C O N F I D E N T I A L

1 ATF SOI - OCTOBER
ADDRESS GROUPS

Ser No	Period 1	Period 2	Period 3	Period 4
	1-6	7-15	16-22	23-31
1.	HPZ	QGA	MVK	LUL
2.	DUA	FPG	BSH	KZG
3.	ZWF	YMK	KLK	WKL
4.	KOW	GOF	JTI	CYH
5.	AXE	OHW	NJZ	CTB
6.	JNR	UJB	MUJ	HAC
7.	AOI	PIV	WDH	ACJ
8.	VEK	UFI	IVK	NBI
9.	BYD	JNJ	BPS	IME
10.	VTM	HDL	LWC	DID
11.	YAC	KQI	ZBM	TWT
12.	UAC	EVD	RXL	VJL
13.	DXA	KSW	MUF	CZH
14.	PUP	XAH	TNM	EQJ
15.	XYB	NVH	DYC	NQF
16.	SGW	PEX	FWE	SSR
17.	GOF	FEM	SXR	UHQ
18.	FHN	EGE	UGR	UGR
19.	TRV	SRB	WDY	WUN
20.	ECC	EDK	QCL	JRU

C O N F I D E N T I A L

1 ATF SOI - OCTOBER
ADDRESS GROUPS

Ser No	Period 1	Period 2	Period 3	Period 4
	1-6	7-15	16-22	23-31
21.	GFS	QSA	YOV	ZVO
22.	LDB	PHE	VTD	BSH
23.	SHY	RDI	XCZ	AWM
24.	VAW	DJO	AIP	GQJ
25.	YBR	PTE	BPZ	FXQ
26.	WZD	IYA	OXK	LVK
27.	UGR	QLS	NAY	PYT
28.	CFN	JXB	WEW	ZAK
29.	QLF	PET	DXR	OZP
30.	MFV	WCY	IEV	MOU
31.	OGL	MFU	MWQ	YUS
32.	UJX	BZO	NFH	JNT
33.	OMT	SGP	EPL	ZTM
34.	AKY	GIX	KMG	NPN
35.	XRU	OHV	KOK	QSU
36.	OIZ	TLH	JQE	LRO
37.	TSQ	INW	DNJ	RVN
38.	FLA	RJF	KZM	NRP
39.	NMX	JKE	RMI	SVW
40.	POB	HUG	SAD	VKQ

C O N F I D E N T I A L

Item 26 Page 3 of 4

C O N F I D E N T I A L

Item 26 Page 4 of 4

C O N F I D E N T I A L

1 ATF SOI - OCTOBER

1 ATF LOCATION INDICATORS

C O N F I D E N T I A L

1 ATF SOI - OCTOBER

1 ATF LOCATION INDICATORS

1. The 1 ATF Location Indicators are provided to give users a quick means of referring to commonly used places over command radio.

2. Security afforded the user is minimal and they should be used where long term security is not required.

3. Reference to the location is made by use of the particular (3) three figure group allocated to that location.

	Period			
	1	2	3	4
	1-6	7-15	16-22	23-31
<u>Route 328 (N)</u>				
Route 328	101	104	462	621
Nui La Hill	142	193	244	293
70 Northing	369	700	620	724
Junct 328/327	697	423	389	225
Thua Tich	100	627	596	499
Trinh Ba	956	890	133	184
86 Northing	124	533	574	467
<u>Route 328 (S)</u>				
Song Hoa Crossing	237	191	145	936
60 Northing	336	286	532	887
South China Sea	998	176	123	312
Route 328	343	450	582	531
<u>Route 52</u>				
Hoa Long	275	226	415	712
Nui Dat Turn Off	403	297	200	867
Cho Binh Ba	927	344	243	192
Horseshoe	135	129	549	560
Route 52	951	879	197	247

C O N F I D E N T I A L

Item 27

Page 1 of 5

C O N F I D E N T I A L

Item 27

Page 2 of 5

C O N F I D E N T I A L

1 ATF SOI - OCTOBER

1 ATF LOCATION INDICATORS

C O N F I D E N T I A L

1 ATF SOI OCTOBER

1 ATF LOCATION INDICATORS

	Period			
	1	2	3	4
	1-6	7-15	16-22	23-31
<u>Route 329</u>				
Soui Soc Crossing	190	380	441	484
76 Northing	538	277	187	238
80 Northing	138	189	524	521
Route 329	438	851	598	298
Route 329 Junct	805	899	454	652
<u>Route 15</u>				
Baria	518	457	510	151
Long Huong	717	257	156	213
Long Cat	217	466	219	362
28 Easting	669	671	414	672
Ong Trinh Dc	913	842	846	776
70 Northing	780	678	720	670
Phu My	490	646	874	949
Province Border	939	882	318	325
Thai Thien	598	645	702	526
87 Northing	264	487	435	223
Long Thanh	276	436	529	575
Bearcat	774	686	216	114
Long Binh	492	599	541	811
Route 15	547	494	488	349

	Period			
	1	2	3	4
	1-6	7-15	16-22	23-31
<u>Route 2</u>				
Nui Dat	798	802	727	679
Nthn By Pass Junct	737	687	684	991
Binh Ba	993	841	631	683
Junct Route 2/237	855	918	853	921
Ap Ngai Giao	944	641	788	826
82 Northing	983	589	986	290
Xa Bang	968	858	695	335
Province Border	941	545	800	870
Xa Cam My	496	487	220	479
<u>Route 331</u>				
80 Northing	934	546	748	113
77 Northing	594	807	863	919
81 Northing	988	481	377	273
Route 331	283	240	791	865
<u>Route 23</u>				
Long dien	522	412	793	722
An Nhut	397	295	144	633
Dat Do	624	569	461	459
55 Easting	361	787	437	373

C O N F I D E N T I A L

Item 27

Page 3 of 5

C O N F I D E N T I A L

Item 27

Page 4 of 5

C O N F I D E N T I A L

1 ATF SOI - OCTOBER

1 ATF LOCATION INDICATORS

	Period			
	1	2	3	4
	1-6	7-15	16-22	23-31
<u>Route 23 (Cont)</u>				
Song Rai River	628	210	357	567
Junct 328/23	623	839	932	516
Xuyen Moc	617	844	105	419
Nhu Lam	850	107	616	997
75 Easting	572	718	845	413
Binh Chau Rd Junct	562	425	162	603
Junct 23/331	432	585	736	112
<u>Route 44</u>				
Phouc Loi	584	324	269	530
Junct 326/44	785	857	922	392
Lo Gom	604	756	447	650
Phuoc Hai	810	928	980	559
50 Easting	402	501	697	287
The Point	597	745	446	860
Long Hai	150	935	229	995
Junct 44/23	701	750	500	817
Route 44	411	840	201	900

C O N F I D E N T I A L

R723-1-4

ANNEX W TO
R 707-1-1
DATED 4 NOV 71

104 Sig Sqn
NUI DAT

6 Sep 71

See Distribution List

MONTHLY REPORT - AUG 71

reference: A. Maps L607, SE ASIA, Sheets 6330 and 6430, Vietnam, 1:100,000

OPERATIONS AND DEPLOYMENT

Tactical Operations

1. The level of tactical activity within 1 ATF TAOR increased during the month, possibly due to the elections that took place on 29 Aug 71.
2. No changes in comms to support 1 ATF operations took place during the month.

LO Detachments

3. No change.

Other Detachments

4. On 24 Aug 71 HQ 3 RAR withdrew from FSB Ziggie to Nui Dat. This included the 104 Sig Sqn det of one sgt and three other ranks.

Patrols

5. On 10 Aug 71 a 48 hr fighting patrol of 11 all ranks was provided in 4 RAR Base Patrol AO Kingsgrove. The patrol was commanded by Sgt L.N. Thomas with Sgt D.L. Boland as 2IC. No contact was made with the enemy.

RADIO

Provision Of Radio Comms

6. The radio comms currently provided for 1 ATF by 104 Sig Sqn are shown in Annex A.

User Trial - Battery Test Set AN/PSM-13

7. This trial was completed on 10 Aug 71, resulting in the recommendation that the item be introduced into the Australian Army.

RADIO RELAY

Provision OF RR Facilities

8. The facilities currently provided by 110 Sig Sqn and Det 39th (US) Sig Bn are shown in Annex B.

Nui Dat - Saigon Link

9. This link, utilizing Siemens F12/400 equipment provided by 110 Sig Sqn, was withdrawn for redeployment elsewhere.

Deactivation Of Circuits

10. Requests for the following circuits provided by US Sig Corps to be deactivated were submitted on 16 Aug 71:

<u>Circuit</u>	<u>From</u>	<u>To</u>	<u>Use</u>
V4103A	Jade ALO Nui Dat	TRAC TOC	SU voice
V3053A	Ebony CP	Hurricane	CU voice
V3054A	Ebony	Hurricane	CU voice
KV 30	HQ 1 ATF	HQ AFV	Dx tg.

LINE/SWITCHBOARD

Cable Faults

11. Only minor cable faults occurred during the month.

Assistance To JWTC

12. Two lines have been provided between the Australian staff at JWTC and the JWTC Vietnamese operated switchboard. It is hoped that this will provide adequate means of communication with the outside world when 1 ATF switchboard (Ebony) is withdrawn.

Ebony Switchboard

13. The switchboard AN/MTC-1 continues to have a healthy appetite for spare parts as a result of a seemingly never ending incidence of minor faults.

14. In addition, the complete list of parts and running spares that were to be provided when the equipment was purchased has still not been received. At this stage it is probably too much to hope that more items will be forthcoming from the US supply system.

1 ATF CP Switchboard

15. With the arrival of reinforcement switchboard operators to fill long standing vacancies, this switchboard again became the responsibility of Comcen/Line Tp on 16 Aug 71. It had previously been operated for some months by OR/OKR personnel of Radio Tp.

Telephone Facilities

16. The facilities provided by 104 Sig Sqn for 1 ATF are shown in the latest issue of the telephone directory, a copy of which is enclosed.

17. A diagram showing cable routes within Nui Dat is attached as Annex C.

COMCEN

Traffic Statistics

18. Details are given in Annex D. The total number of messages handled by 1 ATF Comcen again showed a marked decrease. If this trend continues the withdrawal of the squadron will be made easier.

SDS

19. There were no changes during the month, except:
- a. the addition of JWTC to the veh SDS runs,
 - b. routine changes in aerial SDS due to changing operational deployments, and
 - c. a general easing of the workload on DRs due to the large drop in SDS traffic compared with last month.

TECH MAINT

Projects

20. A number of projects were in the planning stages when the withdrawal from Vietnam was announced. They will now not be proceeded with, due to the necessity to direct technicians to other tasks in connection with the preparation of equipment for return to Australia.

Noise On Telephone Lines

21. The problem continues despite further attempts to overcome it. Several theories have been tested, mainly concerned with the problem of earthing of switchboard s and cable runs. Although in some cases the noise level has been marginally decreased, it has not been possible to eliminate all power hum on all lines. It now seems that the only way to overcome the problem completely is to:

- a. have no telephone equipment or cable earthed, or
- b. close down the Nui Dat electricity supply system.

For obvious reasons neither of these solutions is seriously contemplated until mid Oct 71.

COMSEC

Security/Procedure Breaches

22. The number of breaches recorded on 1 ATF radio net for the month was:
- a. Security - 10
 - b. Procedure -87

TRAINING

Attendance At Courses

23. Squadron personnel attended courses during the month as follows:
- a. AN/TRC - 24 Ops Course (9-21 Aug 71)
Sig S.L. Hindle
 - b. Cable Joiners Course (23 Aug-14 Sep 71)
Sig P.J. Hindle
Sig R.D. Lindsay,

ADMINISTRATION

Manning

24. Deficiencies and surpluses by rank and trade as at 31 Aug 71 are shown in Annex E.

1 ATF Admin Inspection

25. Various A and Q representatives of HQ 1 ATF carried out an admin inspection of the unit on 7 Aug 71. The report was satisfactory. Special mention was made of the renovations made in the kitchen and the improved standard of catering.

Photographs

26. On 25/26 Aug 71 a PR photographer visited the unit and took photographs that will be of historical value. Photographs included working and recreational facilities and also a group photograph of members of the unit present in Nui Dat on 26 Aug 71.

EIS inspection

27. An EIS inspection of general stores was conducted on 28 Aug 71. A satisfactory report is expected.

Movements

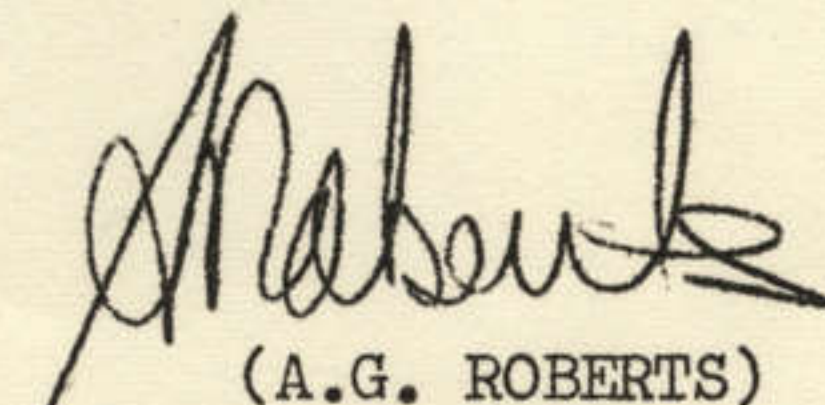
28. Capt R.W. Semple arrived in the unit on 12 Aug 71 and assumed the appointment of 2IC vice Capt R.W. Thomson who departed on 19 Aug 71.

Area Maintenance

29. The following tasks were completed during the month:
- a. Painting of the OR kitchen.
 - b. Painting of the orderly room.
 - c. Renovation of HQ Tp shower block.
 - d. Provision of a new sullage pit for the OR kitchen.

Visits

30. The following people visited the squadron during the month:
- a. Maj K.J. Redman (AATTV) on 4/5 Aug 71.
 - b. CSO AFV on 7/8 Aug 71.
 - c. 2lt P. Gurney, OC (designate) det 152 Sig Sqn and 2lt C. Lawson - Baker on 21 Aug 71.


(A.G. ROBERTS)
Maj
OC

- Annexes:
- A. 1 ATF Radio Nets
 - B. Radio Relay Systems
 - C. Cable Routes (Nui Dat)
 - D. Traffic Statistics
 - E. Manpower State as at 31 Aug 71.

Enclosure: 1. 1 ATF Telephone Directory

Distribution:

CSO AFV (8) - 4 copies Annex C only
Comd's Diary (4) - ~~2 copies Annex C only~~
File
Spare (4) - less enclosure and Annex C

For Information:

110 Sig Sqn) through CSO AFV
139 Sig Sqn)

Internal:

2IC)
OC HQ Tp)
OC Radio Tp) less enclosure and Annex C
OC Comcen/Line Tp)
Supvr Tech Tels)

1 ATF RADIO NETS AS AT 31 AUG 71

STN	1 ATF COMD NET	1 ATF COMD NET SECURE	COMD 1 ATF SECURE	PHOUC TUY SECTOR	TRAC (CG) SECURE
1 ATF (MAIN)	(X)	(X)		(X)	(X)
COMD	(X)		(X)		
C SQN 1 ARMED REGT	X				
A SQN 3 CAV REGT	X				
12 FD REGT	X				
ARTY TAC	X	(X)			
17 CONST SQN	X				
3 RAR	(X)	(X)	(X)		
4 RAR	(X)	(X)	(X)		
2 SAS SQN	X	(X)			
161 RECCE FLT	(X)	(X)			
1 ARU	X				
1 ATF HQ COY	X				
D & E PL	X				
DET 1 DIV INT UNIT	X				
MILO	X				
RRADY REACTION FORCE	X				
1 AUST CA UNIT	X				
1 PSY OPS UNIT	X				
TFMA	X				
JWTC	X			X	
LO BARIA	(X)	X		X	
LO XUAN LOC	(X)	(X)			
LO XUYEN MOC	(X)	(X)		(X)	
LO HOA LONG	(X)	(X)		(X)	
LO DAT DO	(X)	(X)		(X)	
LO DUC THANH	(X)	(X)		(X)	
LO BEARCAT	(X)				
LO BIEN HOA	(X)				

LEGEND:

- X - STATION ON NET
 (X) - PERSONNEL AND/OR EQPT PROVIDED BY TOX SIG SQN
 (X) - CONTROL STATION

ANNEX B TO
104 SIG SQN MONTHLY REPORT
AUG 71

RADIO RELAY CHANNEL ALLOCATION AS AT 31 AUG 71

SYSTEM: 102 (1 ALSG to 1 ATF)
 EQPT: FM 12/400
 PROVIDED BY: DET 110 Sig Sqn Nui Dat

CIRCUIT NUMBER	CHANNEL	FROM	TO	TYPE	TERM	REMARKS
1017	16	1ATF	HQ AFV	SP	SU	
1018	17	DAAG HQ AFV	DAAG 1 ATF	SP	SU	
1019	18	TIGER V3133C	EBONY 103	SP	CU	
1020	19	TIGER V3136C	EBONY 123	SP	CU	
1021	20	TIGER V31346	EBONY 163	SP	CU	
1023	22					SPARE
1024	23	C of S HA AFV	EBONY 9	SP	SU	
1025	24	G BRANCH AFV	CP 1 ATF	SP	SU	
1026	1	EMU 206	EBONY 121	SP	CU	
1027	2	SCO	SCO	SP	SU	
1028	3	EMU 207	EBONY 141	SP	CU	
1029	4					SPARE
1030	5	EMU 214	LUSCOMBE AIRFIELD	SP	SU	RAAF/ARMY MOVTS
1031	6	EMU 208	EBONY 101	SP	CU	
1032	7	EMU 209	EBONY 182	SP	CU	
1033	8	EMU 210	EBONY 161	SP	CU	
1034	9	1 AUST FD HOSP	EBONY 69	SP	SU	DUST OFF
1035	11	LOG OPS 1 ALSG	DAQMS 1 ATF	SP	SU	
1036	12					SPARE
1037	14	2 AOD	ORD OFFR 1 ATF	SP	SU	
1038	15	DEPL TP (DET VUNG TAU)	DEPL TP (DET NUI DAT)	SP	SU	
5009	13	1 ATF	ASARELAY VUNG TAU	DX TG		
5010	10	1 ATF	ASARELAY VUNG TAU	DX TG		

RADIO RELAY CHANNEL ALLOCATION AS AT 31 AUG 71

SYSTEM: W56

EQPT: AN/GRC-50

PROVIDED BY: DET 39 (US) SIG BN

CIRCUIT NO	CHANNEL	FROM	TO	TYPE	TERM	REMARKS
V21T	101	1 ATF DUTY OFFICER CP	BARIA TOC	SP	SU	
V21U	104	1 ATF (EBONY CP)	BARIA SWBD	SP	CU	
V21V	108	1 ATF (EBONY)	BARIA SWBD	SP	CU	
4189	103	1 ATF (EBONY CP)	RTAVF (BEARCAT TOC)	SP	CU	
4195	109	1 ATF (EBONY CP)	111 CORPS BIEN HOA	SP	CU	
4517	111	1 ATF (EBONY)	LONG BINH HURRICANE	SP	CU	
KV14	201	1 ATF (EBONY 198)	VUNG TAU SWBD	SP	CU	
KV15	202	1 ATF (EBONY 200)	VUNG TAU SWBD	SP	CU	
KV29	203	1 ATF (EBONY CP)	AFV GSO OPs	SP	CU	
SK25	209	1 ATF (ARTY TAC)	TAU SON NHUT (PARIS)	SP	SU	
KV95	211	RAAF (NUI DAT)	RAAF VUNG TAU	SP	SU	
KS88	212	1 ATF (EBONY ENG)	1 ALSG (EMU ENG)	SP	SU	
1H75	208	547 SIG TP (TG)	BIEN HOA ARU	DX TG	SU	
1980	210	547 SIG TP (TG)	BIEN HOA ARU	DX TG	SU	
KV30	204					SPARE
KV95	207	RAAF (NUI DAT)	RAAF VUNG TAU	SP	SU	

RADIO RELAY CHANNEL ALLOCATION AS AT 31 AUG 71

SYSTEM: 69

EQPT: AN/GRC-50

PROVIDED BY: DET 39 (US) SIG BN

CIRCUIT NO	CHANNEL	FROM	TO	TYPE	TERM	REMARKS
V3050A	206	1 ATF (EBONY)	LONG BINH DTE (PLANTATION)	SP	CU	
V3051A	207	1 ATF (EBONY)	LONG BINH DTE (PLANTATION)	SP	CU	
V3052	208	1 ATF (CP)	LONG BINH	SP	CU	
V3053	209	1 ATF (CP)	HQ TRAC (HURRICANE)	SP	CU	
V3054A	210	1 ATF (EBONY 144)	HQ TRAC (HURRICANE)	SP	CU	
V4100A	202	GSOS (AIR) HQ 1 ATF	HQ TRAC TOC	SP	SU	
V4103A	204	JADE ALO NUI. DAT	HQ TRAC TOC	SP	SU	
V4435A	003	1 ATF (EBONY CP)	BIEN HOA (ACD)	SP	CU	
A6100A	205	1 ATF (COMCEN)	LONG BIEN (HQ TRAC)	DX TG	SU	

1 ATF COMCEN FIGURES
AUGUST 1971

IN TRAFFIC				OUT TRAFFIC				SDS	
PRECEDENCE	Vung Tau Mrs		HQ TRAC		PRECEDENCE	Vung Tau Mrs		HQ TRAC	
	Number	%	Number	%		Number	%	Number	%
FLASH	5	.1	-		FLASH	-		1	.4
IMMEDIATE	190	4.9	26	40	IMMEDIATE	159	9.1	113	56.2
PRIORITY	947	24.4	10	15.4	PRIORITY	450	25.3	60	29.8
ROUTINE	2722	70.6	29	44.6	ROUTINE	1128	65.6	27	13.6
	3864	55.9	65			1737	38.5	201	
RE-RUNS	231	3.3	N/A	N/A	RE-RUNS	443	9.8	N/A	N/A
SVC MESSAGES	2816	40.8	N/A	N/A	SVC MESSAGES	2334	51.7	N/A	N/A
TOTAL	6911				TOTAL	4514			

IN - 20182
 OUT - 22508
 TOTAL - 42690

ANNEX E TO
104 SIG SQN
MONTHLY REPORT
FOR AUG 71

DEFICIENCIES/SURPLUSES BY RANK/TRADE
AS AT 31 AUG 71

TRADE	WO2		SSGT		SGT		CPL		LCPL/SIG PTE		TOTAL	
	ESTB	POSTED	ESTB	POSTED	ESTB	POSTED	ESTB	POSTED	ESTB	POSTED	ESTB	POSTED
SSM	1	1									1	1
SUPVR COMCEN	1	1									1	1
OK					1	1	1	1	6	4	8	6
OKC					1	1	5	3	9	10	15	14
OKR					1	1	2	1	9	8	12	10
OP RADIO					3	3	12	2	33	37	48	42
OP SWBD							2		9	10	11	10
SUPVR TECH TELS			1	1							1	1
TECH ELEC							1	1	2	2	3	3
TECH CIPHER					1	1	1	1			2	2
TECH TG							1		2	3	3	3
TECH SIGS							1		3	3	4	3
LMN FD/PL					1	1	1		6	5	8	6
QMS			1	1							1	1
STMN TECH					1	1	1	1	3	2	5	4
CLERK ADMIN					1	1	2	1	3	4	6	6
SUPVR TPT					1						1	-
DVR/DR							1		5	3	6	3
DRAUGHTSMAN									1	1	1	1
HYG/MAINT DUTYMN									5	3	5	3
COOK					1	1	1	1	2	1	4	3
TOTAL	2	2	2	2	12	11	32	12	98	67	146	123

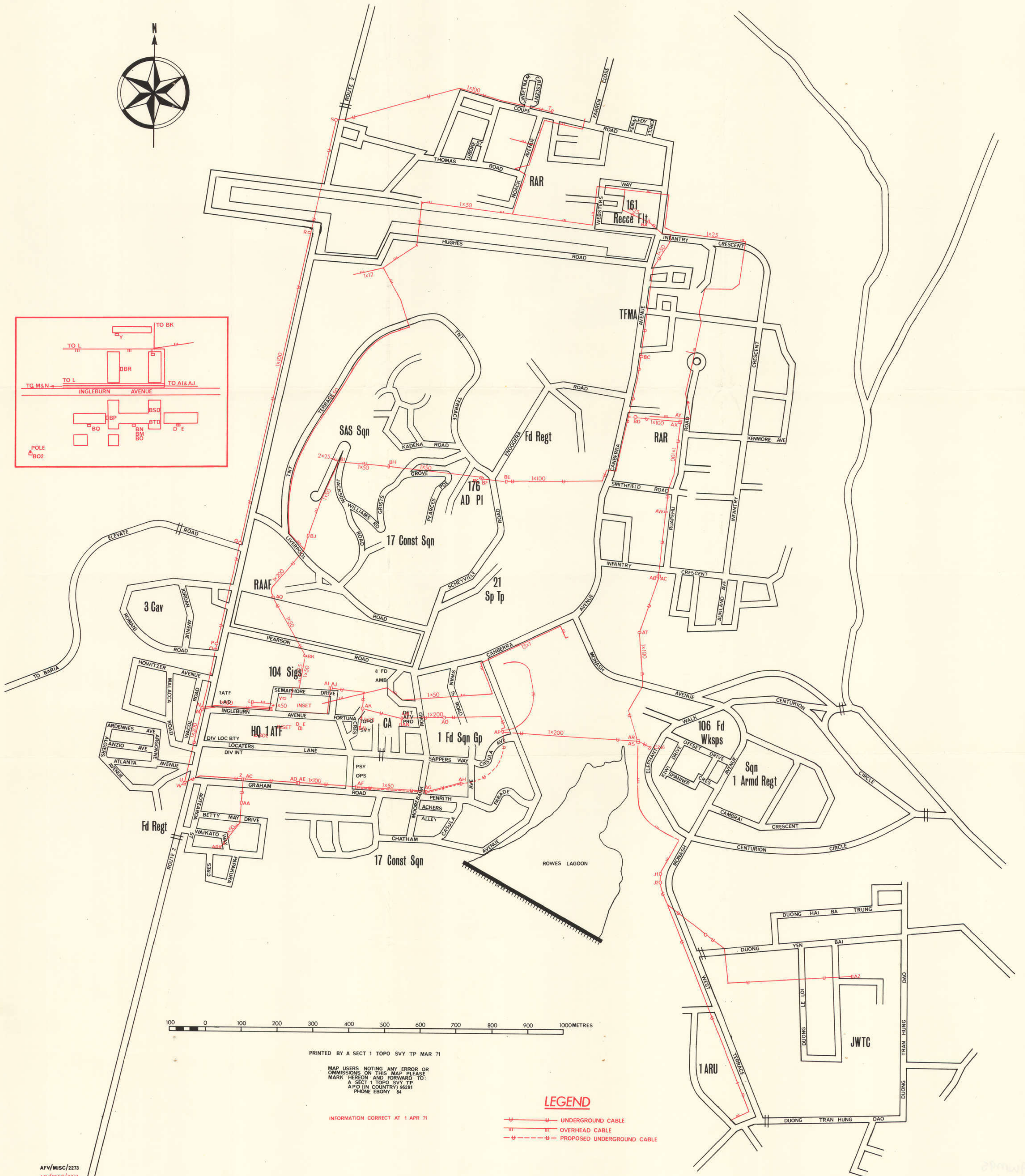
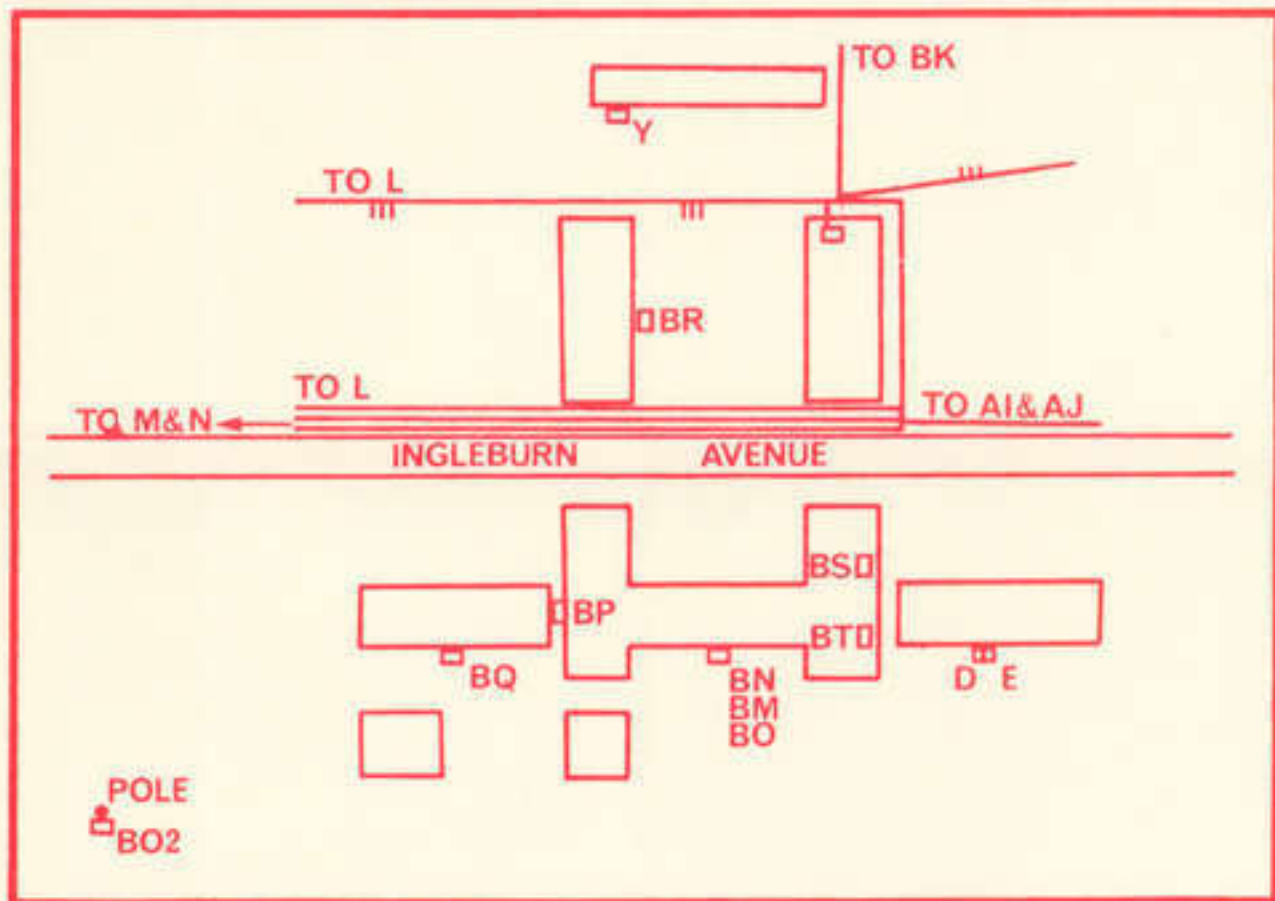
CONFIDENTIAL

WARNING
BEFORE DIGGING OR BURNING OFF CONSULT THIS MAP IF EITHER IS NEAR UNDERGROUND OR OVERHEAD CABLES. PLEASE RING 104 SIG SQN COMMS CON (EBONY 106) FOR FURTHER ADVICE BEFORE PROCEEDING.

Not to be taken outside 1 ATF area without the authority of GSO 2 OPS.

1 ATF ROAD MAP

TELEPHONE CABLE ROUTES



PRINTED BY A SECT 1 TOPO SVY TP MAR 71

MAP USERS NOTING ANY ERROR OR OMISSIONS ON THIS MAP PLEASE MARK HEREON AND FORWARD TO:
A SECT 1 TOPO SVY TP
APO (IN COUNTRY) 88291
PHONE EBONY 84

INFORMATION CORRECT AT 1 APR 71

LEGEND

- UNDERGROUND CABLE
- OVERHEAD CABLE
- PROPOSED UNDERGROUND CABLE

CONFIDENTIAL

1 AUST TASK FORCE

SWITCHBOARD DESIGNATOR 1 ATF — EBONY

SWITCHBOARD DESIGNATOR 1 ATF (FWD) — ENSIGN

1st AUSTRALIAN TASK FORCE TELEPHONE DIRECTORY

*Subscriber**Extension**Subscriber**Extension*

EMERGENCY TELEPHONE NUMBERS

RAP	EBONY 108	Movements	EBONY 93
Dental Post	EBONY 127	RAAF Ops	EBONY 51
Provost	EBONY 105		

SERVICE TELEPHONE NUMBERS

Command Post	EBONY CP	Official Time	EBONY 76
Communications Control (Comms Con)	EBONY 106	Post Office AFPO 4	EBONY 153
Comms Centre	EBONY 36/76		

TELEPHONE SERVICE

Telephone Complaints	EBONY 106		
----------------------	-----------	--	--

ADDITIONAL LISTINGS

GENERAL INFORMATION

The Switchboard

1. EBONY switchboard is a manually operated switchboard providing a 24 hour continuous switching service.

Operation

2. a. To place a call, pick up the handset and wait for the switchboard operator to answer.
- b. To ensure prompt and accurate switching service, inform the operator of the correct number required as listed in the directory. DO NOT use the name or appointment of the called subscriber.
- c. On completion of the call, both parties are to return the handset correctly on the phone. This will ensure prompt disconnection by the operator.

Telephone Faults

3. Faults in the operation of the telephone instrument or line from the EBONY telephone facility should be reported to Communications Control (Comms Con) on EBONY 106.

Unavailable Service

4. Services which are not provided by EBONY switchboard are:
 - a. Early morning calls.
 - b. Advice when a previously busy number is free.
 - c. Holding of a calling subscriber until the busy called subscriber is free.

Time Checks

5. Time checks are given on request from EBONY 76.

Errors and Omissions

6. Errors and omissions in this directory should be reported to Comms Con on EBONY 106.

1 ATF HEADQUARTERS TELEPHONE DIRECTORY

<i>Subscriber</i>	<i>Extension</i>	<i>Subscriber</i>	<i>Extension</i>
D Comd	EBONY 29	Comd LO	EBONY 49

G BRANCH

1 ATF (Fwd)	ENSIGN	Battle Int & IO	EBONY 31
GSO 2 (Ops)	EBONY 10	Air Int	EBONY 4
GSO 3 (Ops)	EBONY 10	USAF TACP (JADE)	EBONY 41
GSO 2 (Air)	EBONY 50	RAAF Ops	EBONY 51
GSO 3 (Air)	EBONY 50	RAAF Alert Hut	EBONY 99
GSO 2 (Int)	EBONY 30	PR Offr	EBONY 17
GSO 3 (Int)	EBONY 30	III Corps LO	EBONY 90
GSO 3 (Psy Ops)	EBONY 55	Registry/Chief Clerk	EBONY 35
GSO 3 (SD & Trg)	EBONY 25		

A BRANCH

DAAG	EBONY 12	Chaplain	EBONY 37
DADLS	EBONY 32	Hyg Offr	EBONY 57
SC A	EBONY 8	Amenities	EBONY 77
		1 ALSG (Fwd)	EDEN

Q BRANCH

DAQMG	EBONY 52	EME Officer	EBONY 88
SC Q	EBONY 28	Catering Adviser	EBONY 97
S & T Officer	EBONY 48		
Ord Officer	EBONY 68		

ARTY

Arty Tac	EBONY CP	NUI DAT Arty (AWCC)	EBONY 91
----------	----------	---------------------	----------

198 WORKS SECT

DCRE	EBONY 92	Clerk of Works	EBONY 78
		1 ATF Power House	EBONY 79

HQ COY 1 ATF

OC	EBONY 5	Tpt	EBONY 65
Ord Room	EBONY 55	Q Store	EBONY 85

<i>Subscriber</i>	<i>Extension</i>	<i>Subscriber</i>	<i>Extension</i>
-------------------	------------------	-------------------	------------------

C SQN 1 ARMD REGT

Unit Swbd	EXPLORER
OC	EBONY 13

A SQN 3 CAV REGT

Unit Swbd	ESCORT
OC	EBONY 33

12 FD REGT

Unit Swbd	ENTERPRISE
CO	EBONY 89

DET 131 DIV LOC BTY

Unit Swbd	ENTERPRISE
-----------	------------

1 FD SQN RAE

Unit Swbd	ELEVATE	21 Sp Tp	EBONY	19
OC	EBONY 14	21 Sp Tp Top Yard	EBONY	39

17 CONST SQN GP RAE

Unit Swbd	EMBOSS	Quarry	EBONY	59
OC	EBONY 34			

106 FD WKSP

OC/Ord Room	EBONY 115	R & I Wksp	EBONY	135
		QM/Q Store	EBONY	155
		OC Stores Sect	EBONY	175

104 SIG SQN

OC	EBONY 6	Comms Cen Clerk SDS	EBONY	76
2IC	EBONY 26	Comms Cen Supvr	EBONY	36
Comms Con	EBONY 106	Main Frame/Test Centre	EBONY	96
Admin Offr	EBONY 46	Tp Comd Radio Tp	EBONY	56
Ord Room/Chief Clerk	EBONY 86	Radio Bunker		
SM	EBONY 116	NUI DAT Hill	EBONY	136
TP Comd Comcen Line Tp	EBONY 16	Supvr Tech Comms	EBONY	156
		Tech Maint	EBONY	156
		QMS	EBONY	196
		Tpt	EBONY	176
		Sgts Mess	EBONY	146

<i>Subscriber</i>	<i>Extension</i>	<i>Subscriber</i>	<i>Extension</i>
547 SIG TP			
OC	EBONY 24	Orderly Room/Comcen	EBONY 2
TSM	EBONY 22	Tech Maint	EBONY 24

DET 39th SIG BN (US)

VHF Term	EBONY 81
----------	----------

DET 110 SIG SQN

Det Comd	EBONY 3	VHF Term NUI DAT Hill	EBONY 82
SCO	EBONY 23		
HF Radio Det	EBONY 3		

4 RAR/NZ

Unit Swbd	ERUDITE	OC NZ Component	EBONY 1
-----------	---------	-----------------	---------

3 RAR

Unit Swbd	EMPEROR
-----------	---------

JWTC

Unit Swbd	LAMSON	Aust Advisers	EBONY 137
OC	EBONY 117	Local Nationals	EBONY 157

2/SAS SQN

Unit Swbd	ENVOY	OC	EBONY 74
-----------	-------	----	----------

1 ARU

Unit Swbd	EXPRESS
-----------	---------

161 RECCE FLT

Unit Swbd	ENDEAVOUR	OC	EBONY 54
-----------	-----------	----	----------

1 AUST CA UNIT

Unit Swbd	ESTATE
-----------	--------

TFMA

Unit Swbd	EMPIRE
OPS/CP/Orderly Room	EBONY 113

1 ATF MAINTENANCE AREA (TFMA)

<i>Subscriber</i>	<i>Extension</i>	<i>Subscriber</i>	<i>Extension</i>
HQTFMA (HQ 26 COY RAASC) (GT)			
TFMA Switchboard		CQMS	EMPIRE 2
Designator	EMPIRE	TFMA Offrs Mess	EMPIRE 22
OC TFMA	EMPIRE 9	TFMA CAP	EMPIRE 13
2IC	EMPIRE 62	TFMA Sgt's Mess	EMPIRE 39
TFMA OPS & CP	EMPIRE 62 & 35	Capt AQ	EMPIRE 31
	EBONY 113		
TFMA Orderly Room	EMPIRE 40		
Admin Offr	EMPIRE 37		

DET 176 AIR DESPATCH COY

OC/Orderly Room	EMPIRE 24
Pelican Heights	EMPIRE 23

1 OFP DET RAAOC

OC	EBONY 27	Orderly Room	EMPIRE 14
	EMPIRE 27		
Control Office	EMPIRE 26		

DET 52 SUP PL RAASC

OC	EMPIRE 17	Det 8 Pet Pl RAASC	EBONY 16
		KANGAROO HELI JP4	EBONY 100
		KANGAROO HELI	
		REARMING BAY	EBONY 100
			(2 rings)

DET AFV CASH OFFICE

OC	EMPIRE 30
----	-----------

DET 2 AFCU

Gift Shop	EMPIRE 5
Bulk Store	EMPIRE 5
	(2 rings)

DET 11 MC GP RAE

Luscombe Terminal	EBONY 93
	ENDEAVOUR

DET 25 SUP PL RAASC

OC	EMPIRE 33
----	-----------

<i>Subscriber</i>	<i>Extension</i>	<i>Subscriber</i>	<i>Extension</i>
-------------------	------------------	-------------------	------------------

CA STORES UNIT

OC	EMPIRE 19		
----	-----------	--	--

8 FD AMB

1 ATF RAP	EBONY 108	RMO Quarters	EBONY 188
Ord Room	EBONY 18	Det 33 Dental	EBONY 127
SMO	EBONY 148	Hyg Offr	EBONY 57
1 Aust Fd Hosp	EBONY 69	1 Fd Hyg Coy	EBONY 107

MISCELLANEOUS

Det II MC GP	EBONY 93	Det 2 AFCU/ASCO Bulk Store	EMPIRE
	EMU 115		
Post Office AFPO 4	EBONY 153	Det 2 AFCU/ASCO Gift Store	EMPIRE
Det AFV Pro Unit	EBONY 105	Det 52 Sup Pl	EBONY 193
Det Div Int Unit	EBONY 125	Public Phone (Kanga Pad)	EBONY 60
1 ATF Offrs Mess	EBONY 27	Public Phone (Luscombe)	EBONY 80
1 ATF LAD	EBONY 194	Emergency Engr Service	
1 ATF Sgt's Mess	EBONY 40	By day	EBONY 19
Re-arm/Re-fuel	EBONY 100	By night	ELEVATE
Psy Ops Unit	EBONY 73	Kangaroo Heli	
		Rearming Bay	EBONY 100
			(2 rings)

EBONY CP SWBD**1 ATF CP**

Duty Officer	GSO 2 (Ops)
Asst Duty Officer	GSO 3 (Ops)
Duty Sig	GSO 2 (Air)

MISCELLANEOUS CP

A SQN 3 CAV REGT (Escort)
 OC A SQN 3 CAV REGT
 12 FD REGT (Enterprise)
 1 FD SQN (Elevate)
 3 RAR (Emperor)
 2 RAR/NZ (Erudite)
 2 SAS SQN (Envoy)
 HQ COY CP
 8 FD AMB
 JWTC (Lamson)

TRUNKS
 1 ATF Fwd (Ensign)
 AFV SAIGON (Tiger)
 EBONY
 HURRICANE TOC
 HURRICANE ATOC
 199th LIB
 BEARCAT
 HORSESHOE
 HEAVYWEIGHT
 18 ARVN Trg Unit (XUAN LOC)
 BIEN HOA TAC
 III CORPS DASC

ARTY TAC

Duty Officer	Naval Gunfire Sig Det
Duty Clerk	ARTY Int OP
CO 4 FD REGT	ARTY TAC Lines
NUI DAT ARTY (AWCC) EBONY	

MISCELLANEOUS ARTY

TFAIO	FO 101 BTY
ARTY Int Sgt	FO 106 BTY
131 Div Loc Bty ENTERPRISE	FCC 2 RAR
131 Div Loc Bty (Lines)	MET SECT HUSKY
BC HQ Bty (12 FD REGT)	LP NUI DAT Hill

ANNEX L TO
R707-1-1
DATED 4 Nov 71

104 Sig Sqn
WUNG TAU

3 Nov 71

R723-1.4

See Distribution List

FINAL REPORT - SEP/OCT 71

OPERATIONS AND DEPLOYMENT

General

1. Squadron activities for the two months covered by this report included:
 - a. continued support of 1 ATF operations,
 - b. the gradual scaling-down of communications in preparation for withdrawal,
 - c. the raising of a special troop to provide tactical comms for the residual element of 1 ATF,
 - d. preparation of vehicles, stores and personnel for return to Australia,
 - e. the return to Ingleburn of the advance party on 30 Sep 71,
 - f. the withdrawal of the Squadron from Nui Dat to Vung Tau on 16 Oct 71, and
 - g. final preparation for the return to Australia of the main body of the Squadron on HMAS Sydney departing Vung Tau 6 Nov 71.

L0 Detachments

2. The following L0 detachments were withdrawn on the dates shown:
 - a. RTAVF (Bearcat) on 7 Oct 71.
 - b. Sub-sector HQ at Xuyen Moc on 8 Oct 71.
3. The detachment at sub-sector HQ at Dat Do was withdrawn on 12 Oct 71 and transferred to 2/43 ARVN Inf Bn at Nui Dat.

Other Detachments

4. Changes in the deployment of other detachments during the period were as follows:
 - a. The withdrawal of the 3 RAR detachment on 2 Oct 71 when 3 RAR ceased operations,
 - b. The progressive increase in the 4 RAR detachment during early Oct 71 to provide additional comms in support of 4 RAR,
 - c. The redeployment of the 161 (Indep) Recce Flt detachment to Vung Tau airbase on 27 Sep 71,

.....d/.

- d. The deployment of a mixed detachment to Vung Tau on 7 Oct 71 to establish the new 1 ATF CP (formerly the 1 ALSG Base Dcf CP),
- e. The deployment of a retransmission detachment to VC Hill on 7 Oct 71 for use on the 1 ATF Comd Net.

Patrols

5. On 10 Sep 71 a fighting patrol of nine personnel was provided in Base Patrol A0 Kingsgrove. The patrol was commanded by Sgt D.L. Boland. No contact was made with the enemy.

RADIO

AATTV Emergency VHF Link

6. Arising from a HQ AFV requirement, a VHF voice link was established between JWTC, Nui Dat and the Free World building in Saigon on 27 Sep 71. It is for use in any emergency by JWTC and 198 Works Sect at Nui Dat and HQ AATTV and CE AFV in Saigon. On 14 Oct 71, the JWTC/198 Works Sect station was relocated at Van Kiep .

7. The initial establishment of the link was the responsibility of 104 Sig Sqn in conjunction with Det 110 Sig Sqn Saigon, equipment being provided from 104 Sig Sqn resources. Once established all the equipment and the responsibility for the operation of the link was transferred to AATTV.

Redeployment of 1 ATF

8. The withdrawal of 1 ATF and the relocation of HQ 1 ATF at Vung Tau created plenty of work for Radio Tp during late Sep early Oct 71. In addition to the testing and establishment of communications at Vung Tau, the raising of the troop to remain in Vietnam until Dec 71 caused a large number of personnel changes in the various Squadron detachments.

9. The changes in the tactical radio system provided by the Squadron can be summarised as follows:

- a. On 10 Oct 71, the CP at Vung Tau was established and HQ 1 ATF (Rear) joined the 1 ATF Comd Net.
- b. Due to the distances involved it became necessary to deploy a retransmission detachment to VC Hill. It comprises one Cpl and three Sig working an AN/VRC-49. The detachment is well established and is being administratively fostered by 331st Sig Coy of 39th (US) Sig Bn.
- c. The redeployment of 1 ATF created problems in regard to the 1 ATF Comd Net Secure. Ideally this net should have been given a retransmission facility. Initial tests and subsequent investigation revealed, however, that retransmission of secure radio using KY-38 equipment is not possible without additional ancillary equipment. This problem had not previously been encountered by the Squadron as retransmission of the 1 ATF Secure Net has not, to the best of our knowledge, been required before. It has not been possible to obtain details of what additional equipment is actually required. It is requested that D Sigs investigate the matter with a view to including the necessary items in the initial purchase of KY-38 equipment for the Australian Army.

....The/.

The 1 ATF Comd Net Secure currently has to use relay procedure due to the non-availability of the additional items from US sources.

- d. On 16 Oct 71 HQ 1ATF (Main) closed at Nui Dat and re-opened at Vung Tau. By this time the CP was operating satisfactorily and the changeover of the control of the TF radio nets presented no major problems.

10. Up to 12 Oct 71 the control stations of all 1 ATF nets had been located in the radio bunker on Nui Dat Hill, with alternate facilities provided in the Sqn HQ radio bunker. On 12 Oct 71 the latter was closed and its facilities transferred to ACV 85 (Ops) located adjacent to Sqn HQ. At 0600 hrs 16 Oct 71 the Nui Dat Hill bunker was closed and the equipment moved to Vung Tau.

Additional Comms For 4 RAR NZ/ANZAC Gp

11. During the planning of the 1 ATF withdrawal Comd 1 ATF requested that a telegraph link be provided between HQ 1 ATF at Vung Tau and 4 RAR NZ/ANZAC Gp at Nui Dat. It was clear that to provide an AN/MRC-69 link was most uneconomical and therefore not a seriously considered solution. At the time the withdrawal was announced modifications to the installation of ACV 85C (Comcen) to provide a VHF RTT capability were in progress. These were completed, satisfactorily tested and the ACV deployed with 4 RAR NZ/ANZAC Gp on 12 Oct 71. Details of the installation are shown in Annex A.

12. The HQ 1 ATF terminal, using an AN/MGC-17 shelter on loan from 110 Sig Sqn, is located adjacent to one of the buildings of HQ 1 ATF. Apart from the usual minor equipment faults the link is working satisfactorily.

VHF RTT Terminal In Truck $\frac{3}{4}$ ton GS FFR

13. At the time the withdrawal was announced a second project was underway. The aim of this was to provide a satisfactory VHF RTT installation in a truck $\frac{3}{4}$ ton FFR suitable for deployment with HQ 1 ATF (Main) or with an infantry battalion. Due to the withdrawal the project was discontinued. Although the necessary mounting frames and associated hardware have not been manufactured by RAEME, detailed drawings are held by the Squadron, and, hopefully, work on the project will be resumed at Ingleburn.

Mast AB-577

14. The original mast acquired from US sources and subsequently damaged by the RAAF has been replaced. The new mast has been brought on charge and will be returned to Australia when the residual troop returns.

RADIO RELAY

Nui Dat - Vung Tau Link

15. As part of the preparations for withdrawal the Siemens equipment was replaced by an AN/TRC-24 link on 13 Sep 71. After some initial problems the equipment settled down to provide a reasonably satisfactorily, though poorer quality service.

16. During the period 13 Sep - 16 Oct 71 a number of changes in channel allocation took place partly due to changing requirements and partly to improve the quality of the system as a whole. The system was deactivated at 1200 hrs 16 Oct 71.

.....US Radio Relay/.

US Radio Relay

17. On 30 Sep 71 System 69 provided by Det 39th (US) Sig Bn was deactivated and all remaining working channels transferred to System W56. At the same time System W56 was transferred to a similar equipment truck-mounted, which remained in operation until deactivated at 1200 hrs 16 Oct 71.

LINE/SWITCHBOARD

Ebony Switchboard

18. On 11 Oct 71 the AN/MTC-1 switchboard was disconnected and replaced by a switchboard SB-86/PT. There is no denying that the latter had seen better days and some problems inevitably resulted. Once again, after the initial settling in period, a satisfactory though less efficient service continued to be provided until final closure at 0600 hrs 16 Oct 71.

19. The AN/MTC-1 has been prepared for return to the School of Signals and is now in the hands of 11 MC Gp awaiting movement by RAAF C-130. A technical report on the equipment is being prepared and will be forwarded to the School of Signals when completed.

Nui Dat Line System

20. Prior to 16 Oct 71 a number of alterations to the system were undertaken. This did not involve any rerouting of cable runs, but did require extensive cross jumpering of cable pairs external to the frame room in order to:

- a. provide adequate facilities for 4 RAR NZ/ANZAC Gp, and
- b. enable the frame room to be dismantled.

21. No cable was recovered from the system by the Squadron, although by now the ARVN have no doubt done so following their takeover of the Nui Dat base.

Erection Of Mast At Baria

22. On 30 Sep 71 the erection of 102 ft mast at the Sector HQ TOC in Baria was completed. All components of the mast were provided by 110 Sig Sqn and its erection carried out by riggers of 104 Sig Sqn. The requirement for the mast stemmed from the need to provide better radio comms for Sector HQ in view of the withdrawal of 1 ATF.

COMCEN

Traffic Statistics

23. Details are shown in Annex B.

Nui Dat - Vung Tau Tg Circuits

24. On 28 Sep 71 the B circuit to the MRS Vung Tau was deactivated, leaving A circuit only.

1 ATF Concen

25. On 1 Oct 71 the 1 ATF Concen was transferred into a vehicle mounted concen provided by 110 Sig Sqn and located adjacent to the HQ 1 ATF Concen building. Message acceptance and distribution including SDS continued from the "outer office" of 1 ATF Concen until 1200 hrs 16 Oct 71 when the whole system closed.

.....HQ TRAC Tg Circuit/.

HQ TRAC Tg Circuit

26. The circuit to HQ TRAC was deactivated at 1200 hrs 16 Oct 71 when 1 ATF Concen closed.

TECH MAINT

Stocktake

27. A complete stocktake of the Tech Maint Sect was carried out during September. This included test equipment, tools and workshop spares.

Equipment Maintenance

28. The demands placed upon Tech Maint Sect were heavier than for many months. This was due to:

- a. a larger number of radio equipments being in use with a corresponding reduction in spare equipment,
- b. the need to inspect all SPS equipment prior to movement to 110 Sig Sqn for shipment to Australia,
- c. the installation of VHF RTT facilities in ACV 85C and in the AN/MGC-17 at Vung Tau, and
- d. the continued need to technically nurse the AN/MTC-1 and then the SB-86/PT in order to keep Ebony on the air.

29. It was fortunate that the Squadron effectively had two technicians surplus to establishment for most of this busy period.

COMSEC

Security/Procedure Breaches

30. The number of detected breaches on 1 ATF nets during September were:

- a. Security - 17
- b. Procedure - 72

31. In recent months a number of security breaches have been detected by other than routine monitoring. Many of these have been detected by the 1 ATF CP Staff who:

- a. are able, from their experience and tactical knowledge, to assess whether a breach has occurred, and
- b. are operating a number of nets simultaneously.

32. A number of breaches have arisen as a result of the widespread use of so-called veiled speech. Transmissions on one or more radio nets may, each taken in isolation, be sufficiently veiled as not to constitute breaches of security. When a number of nets are monitored simultaneously veiled speech on one is often rapidly unveiled by a transmission on another. Such has been the case in 1 ATF, leading on one occasion to the night locations of a battalion being prejudiced.

.....Training/.

TRAINING

Attendance At Courses

33. Cpl N.W. Haskett satisfactorily completed the following courses during September:
- a. VHF Operator's Course (6-18 Sep 71)
 - b. AN/TRC-24 Maint Course (19-28 Sep 71)

Manpower

34. With the arrival of the last reinforcements on 16 Sep 71 the Squadron reached its highest strength since late last year. That this stage should have been reached when the Squadron was preparing to withdraw is, in some aspects, rather ironical.

35. Since 16 Sep 71, personnel have been progressively marching out on RTA with the Squadron advance party departing on 30 Sep 71.

36. Attached as Annex C are details of the movements of personnel currently posted to the Squadron.

Return of Main Body

37. The main body of the Squadron comprising the OC and 60 other ranks are to return on HMAS Sydney departing Vung Tau on 6 Nov 71.

A and Q Administration

38. The workload on Squadron A and Q personnel has inevitably risen considerably during the past two months, this being particularly so in the case of the Admin Offr and SQMS. A variety of problems too numerous to mention have been encountered, the majority of which have been, are still being or hopefully will be satisfactorily overcome.

Area Maintenance

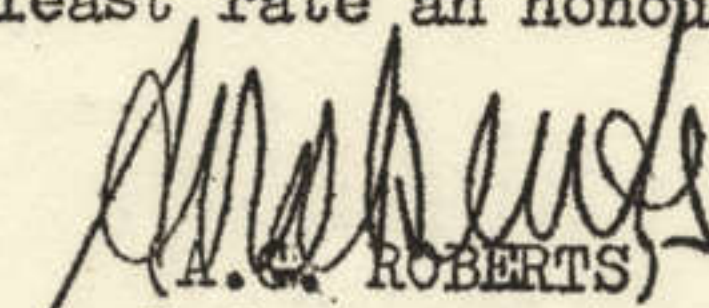
39. Somewhat naturally no new tasks were commenced during the reporting period. The emphasis was on clearing the Squadron area of five years accumulation of miscellaneous junk that would have put Steptoe and Son into the millionaire class.

Visits

40. The following people visited the Squadron:
- a. Maj N. Symons (CMF) 2-7 Sep 71.
 - b. CSO AFV 24 Sep 71.

CONCLUSION

41. Thus did 16th October 1971 bring to a close a further chapter in the history of the Royal Australian Corps of Signals. It is to be hoped that, in the years to come, those mightier with the pen than with the sword find a place in their writings to allow 103 Sig Sqn and 104 Sig Sqn to at least rate an honourable mention.


(A.C. ROBERTS)
Maj
OC.

Annexes: A. Schematic Diagram of Secure VHF RTT Installation Mounted in ACV 85 C.
B. Traffic Statistics.
C. Movement of Personnel.

Distribution:

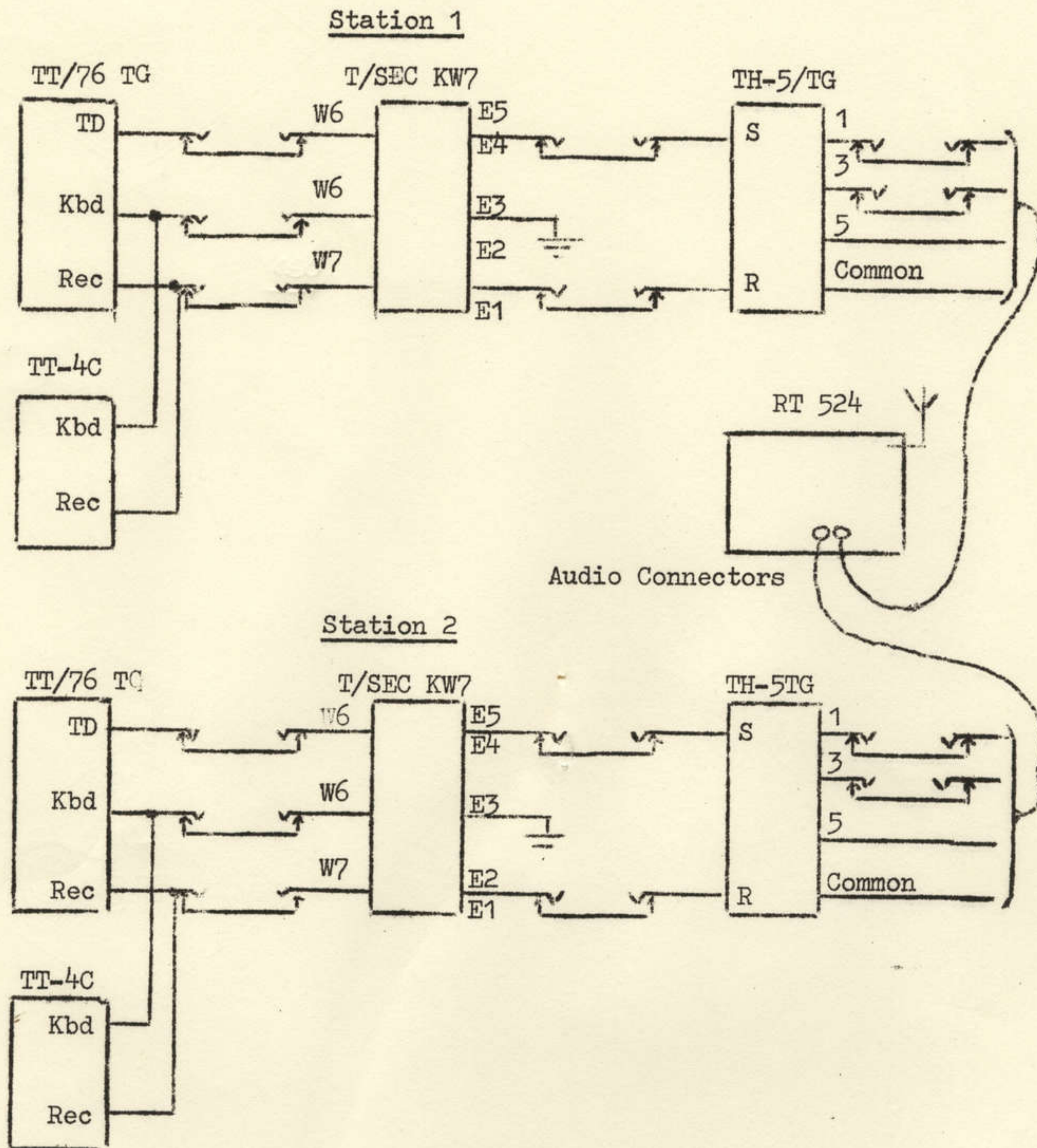
CSO AFV	8
Comd's Diary	4
File	
Spare	4

For Information:

110 Sig Sqn)
139 Sig Sqn) (Through ^{CSO}~~SCO~~ AFV)

Internal:

2IC
OC HQ Tp
OC Radio Tp
OC Comcen/Line Tp
Supvr Tech Tels



Schematic Diagram for Secure VHF RTT Installation
Mounted in ACV 85 C

1 ATF COMCEN FIGURES
SEP/OCT 71

IN TRAFFIC					OUT TRAFFIC					SDS/ADS	
PRECEDENCE	Vung Tau Mrs		HQ TRAC		PRECEDENCE	Vung Tau Mrs		HQ TRAC		IN	
	Number	%	Number	%		Number	%	Number	%		
FLASH					FLASH					OUT	17945
IMMEDIATE	276	6.7	21	34.4	IMMEDIATE	209	12.1	122	61.0	TOTAL	33885
PRIORITY	908	21.9	10	16.3	PRIORITY	527	30.4	48	24.0		
ROUTINE	2957	71.4	30	49.3	ROUTINE	997	57.5	30	15.0		
TOTAL	4141	55.5	61	N/A	TOTAL	1733	37.7	200	N/A		
RERUNS	629	15.1	N/A	N/A	RERUNS	538	31.0	N/A	N/A		
SERVICE MSGS	3317	44.4	N/A	N/A	SERVICE MSGS	2863	62.2	N/A	N/A		
TOTAL	9458				TOTAL	4596					

MOVEMENT OF PERSONNEL

1. Advance Party

Capt Bulbeck
 WO2 Fisher
 Sgt Thomas
 Cpl Kaufmann
 L cpl Arrowsmith
 L cpl Eborall
 Sig Bewley
 Sig Kiely
 Sig Lawson

2. Tp 104 Sig Sqn to remain in SWN

Capt Semple - to 110 Sig Sqn Dec 71
 Sgt Boland - RTA Dec 71
 Sgt Joseph - " " "
 Sgt Dwyer - RTA late Nov 71
 Cpl Hamerton - to 110 Sig Sqn Dec 71
 Cpl Mazzarol - RTA Dec 71
 Cpl Weirman - " " "
 Cpl Tierney - to 110 Sig Sqn Dec 71
 Cpl Purcell - RTA Dec 71
 Cpl Bardwell - " " "
 L cpl Boyes - " " "
 L cpl Smith R.T. - " " "
 L cpl Brown - " " "
 L cpl Bradley - to 110 Sig Sqn late Nov 71
 Sig Bird - RTA Dec 71
 Sig Williams - " " "
 Sig Shanhun - " " "
 Sig Lovell - " " "
 Sig Haskett - " " "
 Sig Ross - " " "
 Sig Pyke - " " "
 Sig Knight - " " "
 Sig Wilkie - " " "
 Sig Hattley - " " "
 Sig Breslin - " " "
 Sig Parsons - " " "
 Sig McKay - " " "
 Sig Patch - " " "
 Sig Boyd - " " "
 Sig Patterson - " " "
 Sig Smith I.L. - " " "
 Sig Gregg - " " "
 Sig Dass - " " "
 Sig Treadgold - " " "
 Sig O'Conner - " " "
 Sig Lindsay - " " "
 Sig Hindle P.J. - to 110 Sig Sqn late Nov 71
 Sig Drummond - " " " " " " "

Main Body (HMAS Sydney)

Maj Roberts
S sgt Steffan
Sgt Harbridge
Sgt Myers
Sgt Mackenzie
Cpl Haskett
Cpl Barry
Cpl Short
Cpl Woodfield
L cpl O'Donnell
L cpl Fatches
Cpl Matthews
Cpl Quayle
L cpl Adams
L cpl Staunton
L cpl Blayney
Sig Thompson G.D.
Sig Brown R.N.
Sig Deem
Sig Crane
Sig McLeod
Sig Hindle S.L.
Sig Hart
Sig Burke
Sig King
Sig Webber
L cpl Unwin
Sig Moore
Sig Rowe (Comcen Tp)
Sig Britt
Sig Box
Sig Thackray
Sig Spann
L cpl Heath
Sig Bryce
Sig Kunkel
Sig Harris
Sig Marshall
Sig Russell
Sig Pool
Sig Hutchinson
Sig Nellems
Sig Beard A.V.
Sig Willmot
Sig Lazarus
Sig Phillips
Sig Petch
Sig Jenkin
Sig Willis
Sig Sinclair
Sig Collinson
Sig Jauncey
Sig Beard W.G.
Sig Mackeson
Sig Safe
Sig Swan
Sig Edwards F.N.
Sig Edwards D.J.
Sig Martin

Total: Offrs - 1
Sgts - 4
R&F - 56

4. Others

Lt	Castle	-	to	110 Sig Sqn	6 Nov 71
WO2	Bannigan	-	to	110 Sig Sqn	3 Nov 71
Sgt	Becker	-	to	2 AOD 6	Nov 71
Sgt	Casey	-	to	104 Sig Sqn (Aust)	28 Oct 71
Cpl	Moloney	-	to	110 Sig Sqn	4 Nov 71
Cpl	Gill	-	to	110 Sig Sqn	Nov 71
Sig	Rowe (HQ Tp)	-	to	110 Sig Sqn	4 Nov 71