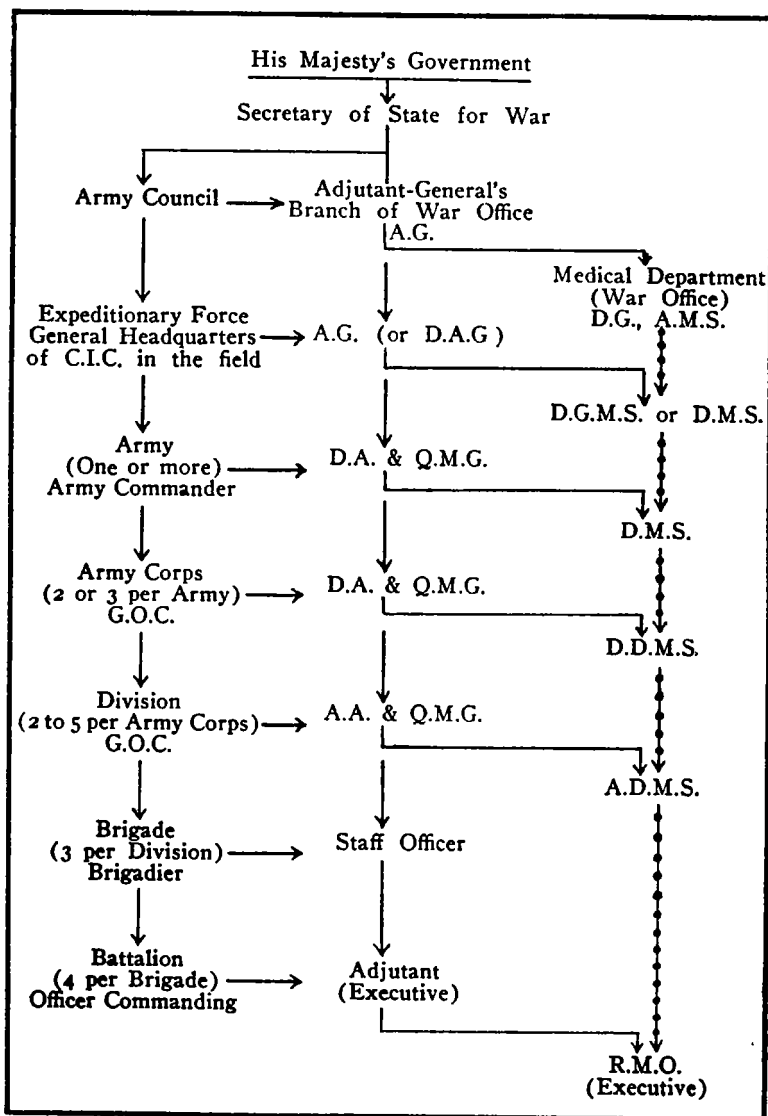


APPENDICES

APPENDIX No. 1.

DIAGRAM ILLUSTRATING THE CHAIN OF CONTROL IN RESPECT TO THE MEDICAL DEPARTMENT OF THE ADJUTANT-GENERAL'S BRANCH OF THE BRITISH ARMY DURING THE GREAT WAR.



APPENDIX No. 2.

ORGANISATION OF STAFF DUTIES IN THE FIELD.

As illustrated by arrangements in the Mediterranean Expeditionary Force, 1915
(Adapted from *Field Service Regulations 1909* and *Field Service Pocket Book*.)

GENERAL HEADQUARTERS IN THE FIELD.

General Officer Commanding in Chief.

<p>GENERAL STAFF BRANCH ("G") Chief of General Staff (C.G.S.)</p> <p><i>Duties include</i></p> <p>Working out of all arrangements and drafting of orders regarding all military operations including marches, security, and battle. War organisation and efficiency. Intercommunication. Censorship. Intelligence. Preparation of reports, despatches, and diaries. Ciphering and deciphering.</p>	<p>ADJUTANT-GENERAL'S BRANCH ("A") (Represented by a Deputy Adjutant-General or "D.A.G.")</p> <p><i>Duties include</i></p> <p>Supply and disposal of personnel. Discipline. Military and martial law. Pay, promotions, honours, and rewards. Sanitation. Provision of medical equipment. Casualties and invaliding. Burial of dead. Prisoners of war. Records (personnel).</p>	<p>QUARTERMASTER-GENERAL'S BRANCH ("Q") (Represented by a Deputy Quartermaster-General or D.Q.M.G.)</p> <p><i>Duties include</i></p> <p><i>Maintenance</i> Provision of everything (other than personnel and medical equipment) necessary for the maintenance and upkeep of the army, also quartering of personnel and storage of material.</p> <p><i>Movement</i> Arrangements for movements by land or sea in the theatre of war and the transport of all personnel, animals, and articles required to maintain the army. Co-ordination between Field Army and I.G.C.</p>	<p>For the efficient performance of staff duties all three branches must work in close co-operation. The General Staff are responsible that, with due regard to secrecy, information as to situation and probable requirements of troops is furnished to the A.G.'s and Q.M.G.'s branches in sufficient time to enable these requirements to be met. The power and responsibility of co-ordinating staff work at general headquarters is vested in the C. in C.; but he will delegate it as he may think fit to the C.G.S., who is his responsible adviser on all matters affecting military operations, through whom he exercises his functions of command.</p> <p>Each administrative service and department comes directly under General Staff Branch for tactical dispositions; and for transportation—other than by establishment—under the Quartermaster-General's Branch.</p> <p>Artillery and Engineers are represented on the staff of a commander by the attachment of a senior officer of each of these arms to the general staff branch at G.H.Q. and Army Headquarters. These officers act as the technical advisers of their commanders and the principal staff officers.</p>
---	---	--	---

DISTRIBUTION OF DUTIES AMONG THE ADMINISTRATIVE SERVICES AND DEPARTMENTS.

DIRECTOR OF VETERINARY SERVICES (D.V.S.).

Health of animals.

DIRECTOR OF SUPPLIES AND OF TRANSPORT (D. of S. & T.).

Food, forage, fuel, etc.; transport.

DIRECTOR OF ORDNANCE (D.O.).

Ammunition, equipment, etc.

DIRECTOR OF WORKS (D. of W.).

Construction and maintenance of buildings and installations, and roads.

DIRECTOR OF REMOUNTS (D.R.).

Provision, training, and distribution of all animals.

DIRECTOR OF POSTAL SERVICES (D.P.S.).

Postal communication.

PAYMASTER IN CHIEF.

Pay and army accounts.

DIRECTOR OF MEDICAL SERVICES.

Care of sick and wounded. Provision and administration of hospitals and convalescent dépôts. Provision of medical equipment. Recommendations for measures to preserve health and prevent disease in the army and civil population. Subject to naval arrangements, control of medical equipment and readiness of hospital ships for invalids.

DEPUTY JUDGE ADVOCATE-GENERAL.

Military, martial, and international law.

PRINCIPAL CHAPLAIN.

Spiritual.

PROVOST MARSHAL.

Military police and traffic control.

DIRECTOR OF ARMY SIGNALS.

Inter-communication.

APPENDIX No. 3.

THE GENEVA CONVENTION OF THE 6TH OF JULY, 1906 (TRANSLATION).

CHAPTER I.—THE WOUNDED AND SICK.

Article 1. Officers and soldiers, and other persons officially attached to armies, shall be respected and taken care of when wounded or sick by the belligerent in whose power they may be, without distinction of nationality.

Nevertheless, a belligerent who is compelled to abandon sick or wounded to the enemy shall, as far as military exigencies permit, leave with them a portion of his medical personnel and material to contribute to the care of them.

Article 2. Except as regards the treatment to be provided for them in virtue of the preceding article, the wounded and sick of an army who fall into the hands of the enemy are prisoners of war, and the general provisions of international law concerning prisoners are applicable to them.

Belligerents are, however, free to arrange with one another such exceptions and mitigations with reference to sick and wounded prisoners as they may judge expedient; in particular, they will be at liberty to agree—

- to restore to one another the wounded left on the field after a battle;
- to repatriate any wounded and sick whom they do not wish to retain as prisoners, after rendering them fit for removal or after recovery;
- to hand over to a neutral State, with the latter's consent, the enemy's wounded and sick to be interned by the neutral State until the end of hostilities.

Article 3. After each engagement the Commander in possession of the field shall take measures to search for the wounded, and to ensure protection against pillage and maltreatment both for the wounded and for the dead.

He shall arrange that a careful examination of the bodies is made before the dead are buried or cremated.

Article 4. As early as possible, each belligerent shall send to the authorities of the country or army to which they belong the military identification marks or tokens found on the dead, and a nominal roll of the wounded or sick who have been collected by him.

The belligerents shall keep each other mutually informed of any interments and changes, as well as of admissions into hospital and deaths among the wounded and sick in their hands. They shall collect all the articles of personal use, valuables, letters, etc., which are found on the field of battle or left by the wounded or sick who have died in the medical establishments or units, in order that such objects may be transmitted to the persons interested by the authorities of their own country.

Article 5. The competent military authority may appeal to the charitable zeal of the inhabitants to collect and take care of, under his direction, the wounded or sick of armies, granting to those who respond to the appeal special protection and certain immunities.

CHAPTER II.—MEDICAL UNITS AND ESTABLISHMENTS.

Article 6. Mobile medical units (that is to say, those which are intended to accompany armies into the field) and the fixed establishments of the medical service, shall be respected and protected by the belligerents.

Article 7. The protection to which medical units and establishments are entitled ceases if they are made use of to commit acts harmful to the enemy.

Article 8. The following facts are not considered to be of a nature to deprive a medical unit or establishment of the protection guaranteed by Article 6:—

1. That the personnel of the unit or of the establishment is armed, and that it uses its arms for its own defence, or for that of the sick and wounded under its charge.
2. That in default of armed orderlies, the unit or establishment is guarded by a picquet, or by sentinels, furnished with an authority in due form.
3. That weapons and cartridges taken from the wounded and not yet handed over to the proper department, are found in the unit or establishment.

CHAPTER III.—PERSONNEL.

Article 9. The personnel engaged exclusively in the collection, transport, and treatment of the wounded and the sick, as well as in the administration of medical units and establishments, and the Chaplains attached to armies, shall be respected and protected under all circumstances. If they fall into the hands of the enemy they shall not be treated as prisoners of war.

These provisions apply to the guard of medical units and establishments under the circumstances indicated in Article 8 (2).

Article 10. The personnel of Voluntary Aid Societies, duly recognised and authorised by their Government, who may be employed in the medical units and establishments of armies, is placed on the same footing as the personnel referred to in the preceding article, provided always that the first-mentioned personnel shall be subject to military law and regulations.

Each State shall notify to the other, either in time of peace or at the commencement of or during the course of hostilities, but in every case before actually employing them, the names of the societies which it has authorised, under its responsibility, to render assistance to the regular medical service of its armies.

Article 11. A recognised society of a neutral country can only afford the assistance of its medical personnel and units to a belligerent with the previous consent of its own Government, and the authorisation of the belligerent concerned.

A belligerent who accepts such assistance is bound to notify the fact to his adversary before making any use of it.

Article 12. The persons designated in Articles 9, 10, and 11, after they have fallen into the hands of the enemy, shall continue to carry on their duties under his direction.

When their assistance is no longer indispensable, they shall be sent back to their army, or to their country, at such time and by such route as may be compatible with military exigencies.

They shall then take with them such effects, instruments, arms, and horses as are their private property.

Article 13. The enemy shall secure to the persons mentioned in Article 9, while in his hands, the same allowances and the same pay as are granted to the persons holding the same rank in his own army.

CHAPTER IV.—MATERIAL.

Article 14. If mobile medical units fall into the hands of the enemy, they shall retain their material, including their teams, irrespectively of the means of transport and the drivers employed.

Nevertheless, the competent military authority shall be free to use the material for the treatment of the wounded and sick. It shall be restored under the conditions laid down for the medical personnel, and so far as possible at the same time.

Article 15. The buildings and material of fixed establishments remain subject to the laws of war, but may not be diverted from their purpose so long as they are necessary for the wounded and the sick.

Nevertheless, the Commanders of troops in the field may dispose of them in case of urgent military necessity, provided they make previous arrangements for the welfare of the wounded and sick who are found there.

Article 16. The material of Voluntary Aid Societies which are admitted to the privileges of the Convention under the conditions laid down therein is considered private property, and as such to be respected under all circumstances, saving only the right of requisition recognised for belligerents in accordance with the laws and customs of war

CHAPTER V.—CONVOYS OF EVACUATION.

Article 17. Convoys of evacuation shall be treated like mobile medical units subject to the following special provisions.—

1. A belligerent intercepting a convoy may break it up if military exigencies demand, provided he takes charge of the sick and wounded who are in it.

2. In this case, the obligation to send back the medical personnel, provided for in Article 12, shall be extended to the whole of the military personnel detailed for the transport or the protection of the convoy, and furnished with an authority in due form to that effect.

The obligation to restore the medical material, provided for in Article 14, shall apply to railway trains, and boats used in internal

navigation, which are specially arranged for evacuations, as well as to the material belonging to the medical service for fitting up ordinary vehicles, trains, and boats.

Military vehicles other than those of the medical service may be captured with their teams.

The civilian personnel, and the various means of transport obtained by requisition, including railway material and boats used for convoys, shall be subject to the general rules of international law.

CHAPTER VI.—THE DISTINCTIVE EMBLEM.

Article 18. As a compliment to Switzerland, the heraldic emblem of the red cross on a white ground, formed by reversing the Federal colours, is retained as the emblem and distinctive sign of the medical service of armies.

Article 19. With the permission of the competent military authority, this emblem shall be shown on the flags and armlets (brassards) as well as on all the material belonging to the Medical Service.

Article 20. The personnel protected in pursuance of Articles 9 (paragraph 1), 10, and 11 shall wear, fixed to the left arm, an armlet (brassard) with a red cross on a white ground, delivered and stamped by the competent military authority, and accompanied by a certificate of identity in the case of persons who are attached to the medical service of armies, but who have not a military uniform.

Article 21. The distinctive flag of the Convention shall only be hoisted over those medical units and establishments which are entitled to be respected under the Convention, and with the consent of the military authorities. It must be accompanied by the national flag of the belligerent to whom the unit or establishment belongs.

Nevertheless, medical units which have fallen into the hands of the enemy, so long as they are in that situation, shall not fly any other flag than that of the Red Cross.

Article 22. The medical units belonging to neutral countries which may be authorised to afford their services under the conditions laid down in Article 11 shall fly, along with the flag of the Convention, the national flag of the belligerent to whose army they are attached.

The provisions of the second paragraph of the preceding article are applicable to them.

Article 23. The emblem of the red cross on a white ground, and the words "Red Cross" or "Geneva Cross" shall not be used either in time of peace or in time of war, except to protect or to indicate the medical units and establishments and the personnel and material protected by the Convention.

CHAPTER VII.—APPLICATION AND CARRYING OUT OF THE CONVENTION.

Article 24. The provisions of the present Convention are only binding upon the Contracting Powers in the case of war between two or more of them. These provisions shall cease to be binding from the moment when one of the belligerent Powers is not a party to the Convention.

Article 25. The Commanders-in-Chief of belligerent armies shall arrange the details for carrying out the preceding articles, as well as for cases not provided for, in accordance with the instructions of their respective Governments, and in conformity with the general principles of the present Convention.

Article 26. The Signatory Governments will take the necessary measures to instruct their troops, especially the personnel protected, in the provisions of the present Convention, and to bring them to the notice of the civil population.

CHAPTER VIII.—PREVENTION OF ABUSES AND INFRACTIONS.

Article 27. The Signatory Governments, in countries the legislation of which is not at present adequate for the purpose, undertake to adopt or to propose to their legislative bodies such measures as may be necessary to prevent at all times the employment of the emblem or the name of Red Cross or Geneva Cross by private individuals or by societies other than those which are entitled to do so under the present Convention, and in particular for commercial purposes as a trade-mark or trading mark.

The prohibition of the employment of the emblem or the names in question shall come into operation from the date fixed by each legislature, and at the latest five years after the present Convention comes into force. From that date it shall no longer be lawful to adopt a trade-mark or trading mark contrary to this prohibition.

Article 28. The Signatory Governments also undertake to adopt, or to propose to their legislative bodies, should their military law be insufficient for the purpose, the measures necessary for the repression in time of war of individual acts of pillage and maltreatment of the wounded and sick of armies, as well as for the punishment, as an unlawful employment of military insignia, of the improper use of the Red Cross flag and armet (brassard) by officers and soldiers or private individuals not protected by the present Convention.

They shall communicate to one another, through the Swiss Federal Council, the provisions relative to these measures of repression at the latest within five years from the ratification of the present Convention.

GENERAL PROVISIONS.

Articles 29-33 laid down the details for giving effect to the Convention. All the principal belligerents in the Great War were signatories to it.

* * *

ADAPTATION OF THE CONVENTION TO MARITIME WAR ("THE HAGUE CONVENTION, OCTOBER, 1907").

The Signatory Powers, animated alike by the desire to diminish, as far as depends on them, the inevitable evils of war; and

Wishing with this object to adapt to maritime war the principles of the Geneva Convention of July 6, 1906:

Have resolved to conclude a Convention for the purpose of revising the Convention of July 29, 1899, relative to this question.

Article 1. Military hospital-ships, that is to say, ships constructed or adapted by States for the particular and sole purpose of aiding the sick, wounded, and shipwrecked, the names of which have been communicated to the belligerent Powers at the commencement or during the course of hostilities, and in any case before they are employed, shall be respected, and may not be captured while hostilities last.

Such ships, moreover, are not on the same footing as warships as regards their stay in a neutral port.

Article 2. Hospital-ships, equipped wholly or in part at the expense of private individuals or officially recognised relief societies, shall likewise be respected and exempt from capture, if the belligerent Power to which they belong has given them an official commission, and has notified their names to the hostile Power at the commencement of or during hostilities, and in any case before they are employed.

Such ships shall be provided with a certificate from the proper authorities declaring that the vessels have been under their control while fitting out and on final departure.

Article 3. Hospital-ships, equipped wholly or in part at the expense of private individuals or officially recognised societies of neutral countries, shall be respected and exempt from capture, on condition that they are placed under the orders of one of the belligerents, with the previous consent of their own Government and with the authorisation of the belligerent himself, and on condition also that the latter has notified their name to his adversary at the commencement of or during hostilities, and in any case before they are employed.

Article 4. The ships mentioned in Articles 1, 2, and 3 shall afford relief and assistance to the wounded, sick, and shipwrecked of the belligerents without distinction of nationality.

The Governments undertake not to use these ships for any military purpose.

Such vessels must in no wise hamper the movements of the combatants.

During and after an engagement they will act at their own risk and peril.

The belligerents shall have the right to control and search them; they may refuse to help them, order them off, make them take a certain course, and put a Commissioner on board; they may even detain them, if the situation is such as to require it.

The belligerents shall, as far as possible, enter in the log of the hospital-ships the orders which they give them.

Article 5. Military hospital-ships shall be distinguished by being painted white outside with a horizontal band of green about a metre and a half in breadth.

The ships mentioned in Articles 2 and 3 shall be distinguished by being painted white outside with a horizontal band of red about a metre and a half in breadth.

The boats of the said ships, as also small craft which may be used for hospital work, shall be distinguished by similar painting.

All hospital-ships shall make themselves known by hoisting, with their national flag, the white flag with a red cross provided by the

Geneva Convention, and further, if they belong to a neutral State, by flying at the mainmast the national flag of the belligerent under whose orders they are placed.

Hospital-ships which are detained under Article 4 by the enemy must haul down the national flag of the belligerent to whom they belong.

The ships and boats above-mentioned which wish to ensure by night the freedom from interference to which they are entitled, must, subject to the assent of the belligerent they are accompanying, take the necessary measures to render their special painting sufficiently plain.

Article 6. The distinguishing signs referred to in Article 5 shall only be used, whether in peace or war, for protecting or indicating the ships therein mentioned.

The succeeding twenty-one Articles are directed for the most part to the application in detail of the claim of the Geneva Convention to maritime warfare.

Article 14. The sick, wounded, or shipwrecked of one of the belligerents who fall into the power of the other belligerent are prisoners of war. The captor must decide, according to circumstances, whether to keep them, send them to a port of his own country, to a neutral port, or even to an enemy port. In this last case, prisoners thus repatriated may not serve again while the war lasts.

Article 18. The provisions of the present Convention do not apply except between Contracting Powers, and then only if all the belligerents are parties to the Convention.

Article 19. The Commander-in-Chief of the belligerent fleets shall give detailed directions for carrying out the preceding Articles and for meeting cases not therein provided for, in accordance with the instructions of their respective Governments and in conformity with the general principles of the present Convention.

Article 20. The Signatory Powers shall take the necessary steps in order to bring the provisions of the present Convention to the knowledge of their naval forces, and especially of the members entitled thereunder to immunity, and to make them known to the public.

Article 22. In the case of operations of war between the land and sea forces of belligerents, the provisions of the present Convention are only applicable to the forces on board ship.

Secret

APPENDIX No. 4.

DESERT MOUNTED CORPS MEDICAL SERVICES OPERATION ORDER No. 5.

Information. 1. The task of Desert Mounted Corps (less A. & N.Z. Mounted Division) is to advance to EL AFULEH-BEISAN, cut the enemy's railway communication and get into position to strike the enemy's columns if they endeavour to escape in a N. or N.E. direction.

Move of Troops. 2. (a) The 5th Cavalry Division will be in readiness in rear of 6th Division by 0500 on Z day; the 4th Cav. Div. will be in rear of 7th Division by 0600 and the Australian Mounted Division will be in the SARONA area vacated by 4th Cavalry Division by 0700.

(b) When the 21st Corps have opened the way 5th Cav. Division will advance on the line TEL EDH DHRUR-HUDEIRA-the sea, by the ARSUF-MUKHALID-HUDEIRA Road, moving thence with the utmost speed to a position North of EL AFULEH by the HUDEIRA-EL ZERGHANIYEH-KH ES SHRAH-ABU SHUSHEH Road. 4th Cav. Division will advance on a line KAKON-JELAMEH-TELL EDH DHRUR by the TABSOR-EL MUGHAIR-ZELEFEH Road continuing rapidly by the JELAMEH-KH ES SUMRAH-LEJJUN Road to EL AFULEH. Thence the advance will continue on BEISAN, a detachment being sent to JISR MEJAMIE from EL AFULEH. Australian Mounted Division (less 5th L.H. Bde. detached with 21st Corps) will move into the position of readiness vacated by the 4th Cav. Division as soon as the latter is clear. It will later move to or near the NAHR ISKANDERUNEH and thence follow the remainder of the Corps being prepared to send a detachment to JENIN; it is allotted the same road as the 4th Cavalry Division.

The 5th L.H. Bde. will rejoin the Corps in the LEJJUN-JENIN Area.

Ambulances. 3. Mobile Sections of Ambulances and one Immobile Section per Division will be disposed under divisional arrangements. Each Divisional Receiving Station will consist of two Immobile Sections; it will remain under the orders of the A.D.M.S. of the division until it opens to receive patients or reaches the position specified below when it will pass to the control of the D.D.M.S.

Motor Ambulances. 4. Light Motor Ambulances, with the exception of two per division to be detached as detailed below, will be employed divisionally. It is believed that the TABSOR-EL MUGHAIR-HUDEIRA Road is fit for them. No Motor Ambulance Convoy is allotted to the Corps.

Operating Unit. 5. The Descorps Operating Unit will be attached to and move with the 4th Cav. D.R.S. to TUL KERAM. If the operating car cannot negotiate the coastal road it will return to WILHELMA and proceed to TUL KERAM by the main road when open.

Malaria Diagnosis Stations. 6. Nos. 5 and 6 M.D.S. will be at the disposal of the A.D'sM.S. Australian Mounted and 5th Cav. Divisions respectively.

Headquarters Corps Motor Ambulances. 7. The O.C. Descorps Motor Ambulances will move with the Australian D.R.S. to TUL KERAM, proceeding to 5th Cav. D.R.S. as soon as it is established at KH ES SUMRAH. He will arrange for a supply of motor spares, petrol, and oil to be brought up to this place.

Moves of Receiving Stations. 8. Each D.R.S. will follow in rear of its division. The 4th Cav. D.R.S. on reaching EL MUGHAIR will branch off and proceed to TUL KERAM, where it will at once open to receive patients; it is hoped that it will be established by the evening of Z + 1 day.

The 5th Cav. D.R.S. will proceed via LIKTERA to KH ES SUMRAH and open to receive patients; it is expected to be established by the evening of Z + 2 day.

The Australian Mounted D.R.S. will proceed to TUL KERAM where it should arrive on the morning of Z + 2 day. It will not open unless so ordered.

Evacuation. 9. It is anticipated that few casualties will be sustained on Z day.

(a) Any men wounded before leaving NAHR EL FALIK will be handed over to the 21st Corps Main Dressing Station to be established just North of the mouth of NAHR EL FALIK and at EL TIREH. Earlier Ambulance arrangements of the 21st Corps are mentioned below. Casualties occurring after this will be carried forward for transference to TUL KERAM where an Ambulance of the 60th Division is expected to be by Z evening; it will receive patients until the 4th Cav. D.R.S. arrives.

Patients will be transferred to TUL KERAM until the 5th Cav. D.R.S. is established at KH ES SUMRAH. All cases will be held at TUL KERAM until the main road is open. They will then be evacuated by G.H.Q. Motor Ambulance Convoy, and by motor lorries to 15th C.C.H. at WILHELMA.

(b) When the 5th Cav. D.R.S. is established at KH ES SUMRAH, divisions forward of this will transfer patients to it.

When motor lorries are running they will be used for the evacuation of slight cases to TUL KERAM or WILHELMA. Serious cases will be evacuated to TUL KERAM by means of two light motor ambulances which will be withdrawn from each division; as it may be impossible to arrange this withdrawal by wire the first two cars arriving from each division will be detained by O.C., 5th Cav. D.R.S.

(c) Further moves of Receiving Stations will be ordered according to circumstances.

A C.C.H. is expected to be at KALKILIEH a few days after Z day, and will move later to TUL KERAM.

Every effort is to be made to use motor lorries for evacuations as motor ambulances are so few and quite irreplaceable when broken.

Alternative Plans. 10 It is possible that operations may not follow the course planned; medical arrangements will then be altered. The following are the more possible contingencies with the arrangements necessary to meet them:—

- (1) Failure of the infantry attack on the TABSOR defences with casualties in Desert Mtd. Corps.

Evacuations will then coincide with that of 21st Corps, Mobile Sections working in conjunction with Infantry Adv. Dressings Stns. which will be located at V.16.a, A.31.d., C.I. D.R.S.'s will align themselves with 21st Corps Main Dressing Stations at the railheads in X.18.a, and C.20.a.

From the former Main Dressing Stn. lying cases will be evacuated by train to JAFFA, from the latter by motor ambulance to WILHELMA, and sitting cases from both by train to LUDD.

- (2) Numerous casualties sufficient to immobilise the tent sub-divisions may be encountered before the NAHR ISKANDERUNEH is made good. In this case A.D'sM.S. may order their Receiving Stations to open, but will at once send information of this to the D.D.M.S., giving the exact location where they have opened. This course is not to be taken unless casualties are heavy.

Light cars would then be detached from Divisions for clearing to the railheads already mentioned.

- (3) Desert Mtd. Corps may attain their first objective but TUL KERAM may be denied to us.

4th Cav. D.R.S. will then open at EL MUGHAIR and wire the fact to the D.D.M.S. and A.D'sM.S. of divisions.

Australian Mounted D.R.S. will be ready to push into TUL KERAM as soon as it is practicable so that the original plan of evacuation could then be taken up. A.D'sM.S., if they receive information of the opening of the 4th Cav. D.R.S. at EL MUGHAIR will each at once order two cars from their division to this D.R.S. for rearward evacuation.

- (4) Motor Ambulances may be unable to get through the road to EL MUGHAIR. They will then return to WILHELMA and proceed by the main road to TUL KERAM, when it is open, to join their ambulances. In this case it will be inevitable that tent sub-divisions will fall behind their Brigades.

Transport of Receiving Stations. 11. On no account is any transport attached to a Receiving Station to be detached from it without the prior sanction of the D.D.M.S., Desert Mounted Corps.

Medical Stores. 12. Arrangements have been made with the D.D.M.S., 21st Corps, so that dressings may be drawn from the Main Dressing Station of the 60th Division at TUL KERAM, which will be kept supplied by the M.A.C.

Indents should be sent to the nearest Receiving Station which will supply the stores and replace them from the 4th Cav. D.R.S. at TUL

KERAM, which in turn will draw from the 60th Division Main Dressing Station. Returning empty cars will be used to carry the stores.

A.S.C. Supplies. 13. Arrangements should be made by A.D'sM.S. with the S.S.O's of divisions for the supply of petrol, car oil, and medical comforts for Mobile Sections after Z day.

• Camels loaded with two days' forage, rations, and medical comforts will accompany each D.R.S.

Locations. 14. A.D'sM.S. will send information as far as possible of the positions of their Divisional Collecting Stations, whether formed of Mobile or Immobile Sections, and of any changes in these positions.

This should be done by wire and by motor ambulances or cyclists moving to the rear if there is any chance of signal communication failing.

O.C's of Divisional Receiving Stations will wire their situations as soon as they are established in any place and will confirm the wire by memo. sent by passing motor ambulance or motor cyclist.

Prisoners. 15. Prisoners whether wounded or unwounded will be searched for documents as soon as they reach a medical unit; pay-books and tezkere^s are not to be taken away from them; other documents will be sent to Brigade or Divisional Headquarters as soon as possible.

Signals. 16. Signal officers on Z day will be established at—

(1) S.22.a. until Adv. Corps Headquarters move forward.

(2) EL MUGHAIR.

On Z + 1 day they are to be opened at—

(1) KERKUR.

(2) EL LEJJUN.

Returns. 17. A.D'sM.S. will send a wire daily at 1700 giving total numbers of patients, including officers and other ranks whether sick or wounded, admitted in the previous 24 hours and remaining in Ambulances. The number of prisoners will be stated separately, for example:—

Admitted 122. Remaining 32.

Prisoners—Admitted 43. Remaining 30.

O'sC. Receiving Stations will send a similar wire.

18. Acknowledge copies 1, 2, 3, and 8.

R. M. DOWNES, Colonel,
D.D.M.S., Desert Mounted Corps.

Headquarters,
Desert Mounted Corps.

14/9/1918.

Issued at 2200.

¹ Identity disc

APPENDIX No. 5

TABLE SHOWING THE POSTING OF AUSTRALIAN ARMY
MEDICAL CORPS OFFICERS, MARCH 1915.

D.M.S., A.I.F.	Surg.-Gen. W. D. C. Williams
A.D.M.S., 1st Division			Colonel N. R. Howse, V.C.
D.A.D.M.S.	Lt.-Col. G. A. Marshall

MEDICAL OFFICERS OF UNITS

Corps Staff	Col. C. S. Ryan
1st L.H. Rgt.	Capt. A. Y. Fullerton
2nd "	Capt. G. W. Macartney
3rd "	Capt. W. R. C. Mainwaring
4th "	Maj. C. C. MacKnight
5th "	Capt. J. E. Dods
6th "	Capt. A. Verge
7th "	Capt. H. Flecker
8th "	Capt. S. J. Campbell
9th "	Capt. L. O. Betts
10th "	Capt. J. Bentley
1st F.A. Bde.	Capt. A. O. Howse
2nd "	Capt. R. S. Whitford
3rd "	Capt. A. H. Marks
D.A.C.	Maj. J. S. Purdy
Div. Engrs.	Capt. H. B. Lewers
Div. Train	Capt. A. F. Jolley
1st Bn.	Capt. C. W. Thompson
2nd "	Capt. F. W. Kane
3rd "	Capt. J. W. B. Bean
4th "	Capt. A. H. Tebbutt
5th "	Capt. E. F. Lind
6th "	Capt. J. J. Black
7th "	Capt. E. W. Gutteridge
8th "	Capt. H. E. A. Jackson
9th "	Capt. A. G. Butler
10th "	Capt. H. C. Nott
11th "	Capt. E. T. Brennan
12th "	Maj. J. M. Y. Stewart
13th "	Capt. C. Shellshear
14th "	Capt. H. G. Loughran
15th "	Capt. J. F. G. Luther
16th "	Capt. R. S. McGregor
10th A.S.C.	Capt. H. H. Woollard

FIELD AMBULANCES

1st Light Horse Field Ambulance. *2nd Light Horse Field Ambulance.*

O.C. Lt.-Col. R. T. Sutherland	O.C. Lt.-Col. H. K. Bean
Maj. W. M. Helsham	Maj. D. G. Croll
Capt. R. Fowler	Capt. W. A. Fraser
Capt. P. Fiaschi	Capt. L. G. A. MacDonnell
Capt. E. M. Ramsden	Capt. C. F. Pitcher
Capt. J. J. Nicholas	Capt. J. D. Buchanan

3rd Light Horse Field Ambulance.

O.C. Lt.-Col. R. M. Downes
Capt. E. R. White
Capt. J. H. Anderson
Capt. M. W. Cave
Capt. G. E. M. Stuart
Capt. K. G. McK. Aberdeen

1st Field Ambulance.

O.C. Lt.-Col. B. J. Newmarch
Maj. R. J. Millard
Maj. E. S. Stokes
Capt. J. B. St. V. Welch
Capt. A. J. Aspinall
Capt. L. W. Dunlop
Capt. H. R. G. Poate
Capt. C. E. Wassell
Capt. W. E. Kay
Q.M. Lieut. E. St. J. Beers.

2nd Field Ambulance.

O.C. Lt.-Col. A. H. Sturdee
Maj. W. W. Hearne
Maj. C. G. Shaw
Capt. T. E. V. Hurley
Capt. B. Quick
Capt. R. W. Chambers
Capt. H. J. Williams
Capt. G. C. M. Mathison
Capt. A. V. Honman
Q.M. Capt. C. Morley

3rd Field Ambulance.

O.C. Lt.-Col. A. Sutton
Maj. H. N. Butler
Maj. G. P. Dixon
Capt. A. L. Buchanan
Capt. D. M. McWhae
Capt. H. K. Fry
Capt. H. V. P. Conrick
Capt. F. Goldsmith
Capt. B. Ingram
Q.M. Lieut. T. F. Hall

4th Field Ambulance.

O.C. Lt.-Col. J. L. Beeston
Maj. F. D. Jermyn
Maj. J. E. F. Stewart
Capt. A. J. Meikle
Capt. A. L. Dawson
Capt. J. P. Kenny
Capt. H. L. St. V. Welch
Capt. L. W. Jeffries
Capt. C. N. Finn
Q.M. Lieut. R. C. Tute

LINES OF COMMUNICATION UNITS.

No. 1 Aust. General Hospital.

O.C. Lt.-Col. W. R. Smith
 Lt.-Col. G. A. Syme
 Lt.-Col. H. C. Maudsley
 Maj. R. Macdonald
 Maj. T. P. Dunhill
 Maj. W. E. Summons
 Maj. J. W. Barrett
 Maj. E. S. Jackson
 Maj. J. B. McLean
 Maj. S. S. Argyle
 Capt. H. H. B. Follitt
 Capt. B. M. Sutherland
 Capt. S. Kay
 Capt. M. B. Johnson
 Capt. H. V. Foxton
 Capt. A. Alcorn
 Capt. H. H. D. Turnbull
 Capt. J. T. Tait
 Capt. R. F. Watson
 Capt. H. F. H. Plant
 Capt. C. Morlet
 Lieut. H. I. Carlile
 Q.M. Capt. W. R. E. Sabine

No. 2 Aust. General Hospital.

O.C. Lt.-Col. T. M. Martin
 Lt.-Col. J. B. Nash
 Lt.-Col. J. W. Springthorpe
 Maj. W. H. Read
 Maj. W. C. Grey
 Maj. A. W. Campbell
 Maj. G. B. Carter
 Capt. J. C. Storey
 Capt. H. J. Clayton
 Capt. J. Reiach
 Capt. B. C. Kennedy
 Capt. W. W. McLaren
 Capt. C. G. G. Moodie
 Capt. D. M. Embelton
 Capt. V. Benjafield
 Capt. W. M. A. Fletcher
 Capt. D. S. Mackenzie
 Capt. A. S. D. Barton
 Capt. C. C. Ross
 Capt. J. D. Norris
 Q.M. Capt. C. Gray

No. 1 Aust. Stationary Hospital.

O.C. Lt.-Col. H. W. Bryant
 Maj. H. A. Powell
 Maj. A. Watson
 Maj. T. G. Wilson
 Maj. H. S. Newland
 Capt. F. N. Le Messurier
 Capt. J. S. Verco
 Capt. J. Corbin
 Q.M. Capt. R. A. Lowry

No. 2 Aust. Stationary Hospital.

O.C. Lt.-Col. A. T. White
 Maj. G. W. Barber
 Maj. B. T. Zwar
 Capt. A. R. Haynes
 Capt. V. O. Stacy
 Capt. E. J. F. Deakin
 Capt. W. C. Sawers
 Q.M. Capt. A. E. Clarke

No. 1 Aust. Clearing Hospital

O.C. Lieut.-Col. W. W. Giblin
 Maj. S. J. Richards
 Maj. J. Gordon
 Capt. J. A. O'Brien
 Capt. R. D. Campbell
 Capt. C. N. Atkins
 Capt. C. Mattei
 Q.M. Lieut. E. T. Boddam

REINFORCEMENTS AND UNALLOTTED.

Capt. J. C. Campbell
Capt. T. M. Furber
Capt. L. W. Bond
Capt. K. M. Levi
Capt. M. Yuille
Capt. T. C. C. Evans
Capt. T. F. Brown

Capt. D. C. Pigdon
Capt. C. V. Single
Capt. J. R. M. Beith
Capt. F. McIntyre
Capt. J. R. Muirhead
Capt. J. C. Wells
Capt. F. T. Beamish