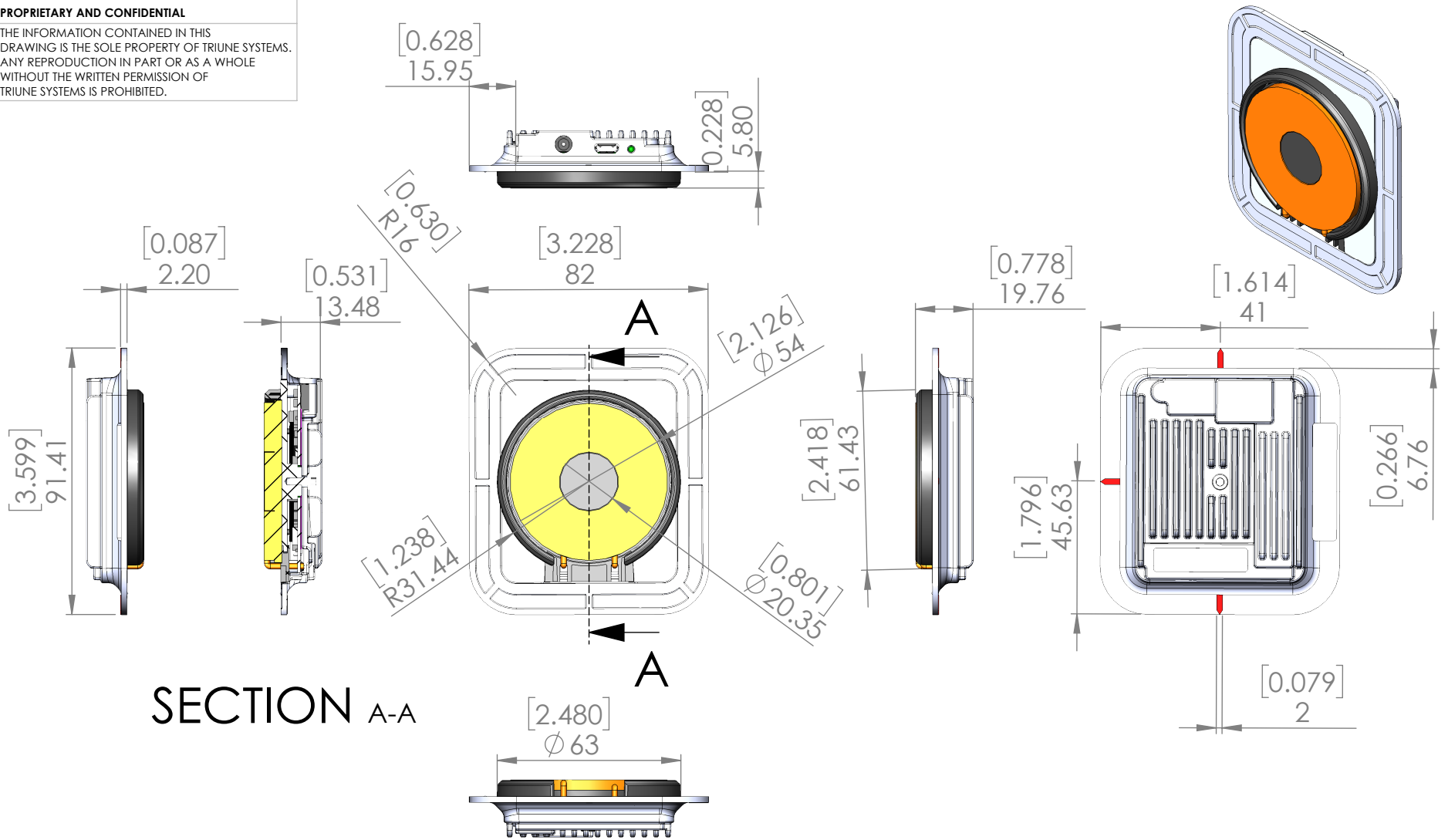


PROPRIETARY AND CONFIDENTIAL

THE INFORMATION CONTAINED IN THIS DRAWING IS THE SOLE PROPERTY OF TRIUNE SYSTEMS. ANY REPRODUCTION IN PART OR AS A WHOLE WITHOUT THE WRITTEN PERMISSION OF TRIUNE SYSTEMS IS PROHIBITED.



SECTION A-A

UNLESS OTHERWISE SPECIFIED:

DIMENSIONS ARE IN MILLIMETER
TOLERANCES:
ANGULAR: ±1
ONE PLACE DECIMAL ±0.1
TWO PLACE DECIMAL ±0.02
THREE PLACE DECIMAL ±0.005

INTERPRET GEOMETRIC
TOLERANCING PER:

MATERIAL
N/A

FINISH
No Finish

DO NOT SCALE DRAWING

	NAME	DATE
DRAWN	ECC	9-19-17
CHECKED		
ENG APPR.		
MFG APPR.		
Q.A.		
COMMENTS:		

Neosen Energy

TITLE:

DuPont Charger

SIZE	DWG. NO.	REV
A	DuPont	D

SCALE: 1:2

SHEET 1 OF 1