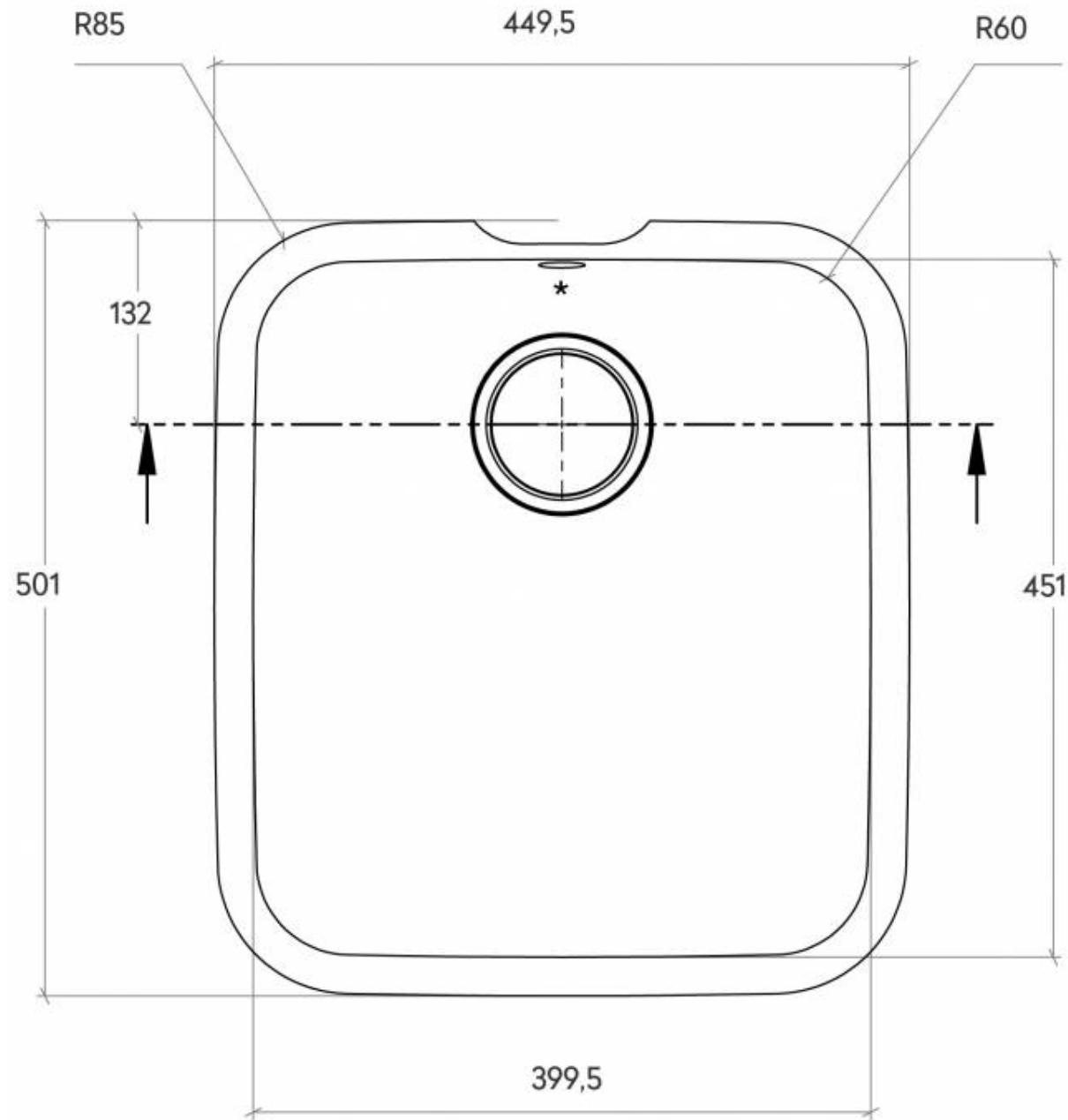


TOP VIEW
*OVERFLOW



CROSS-SECTION

