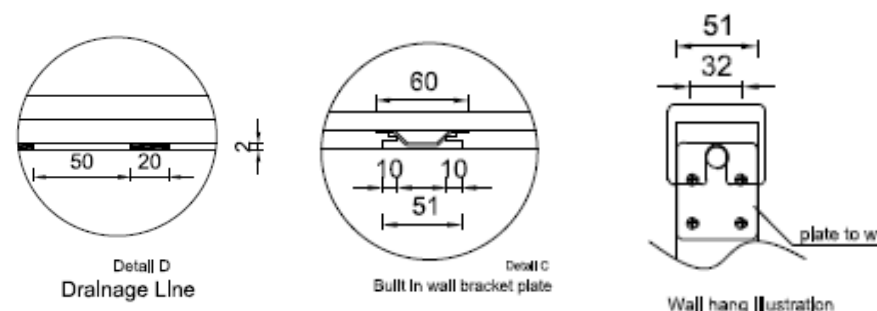
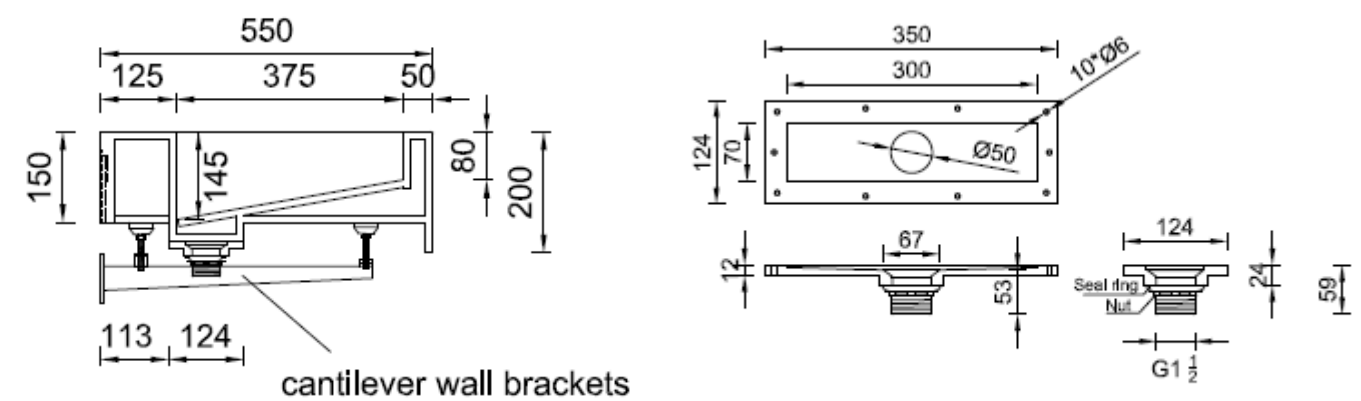
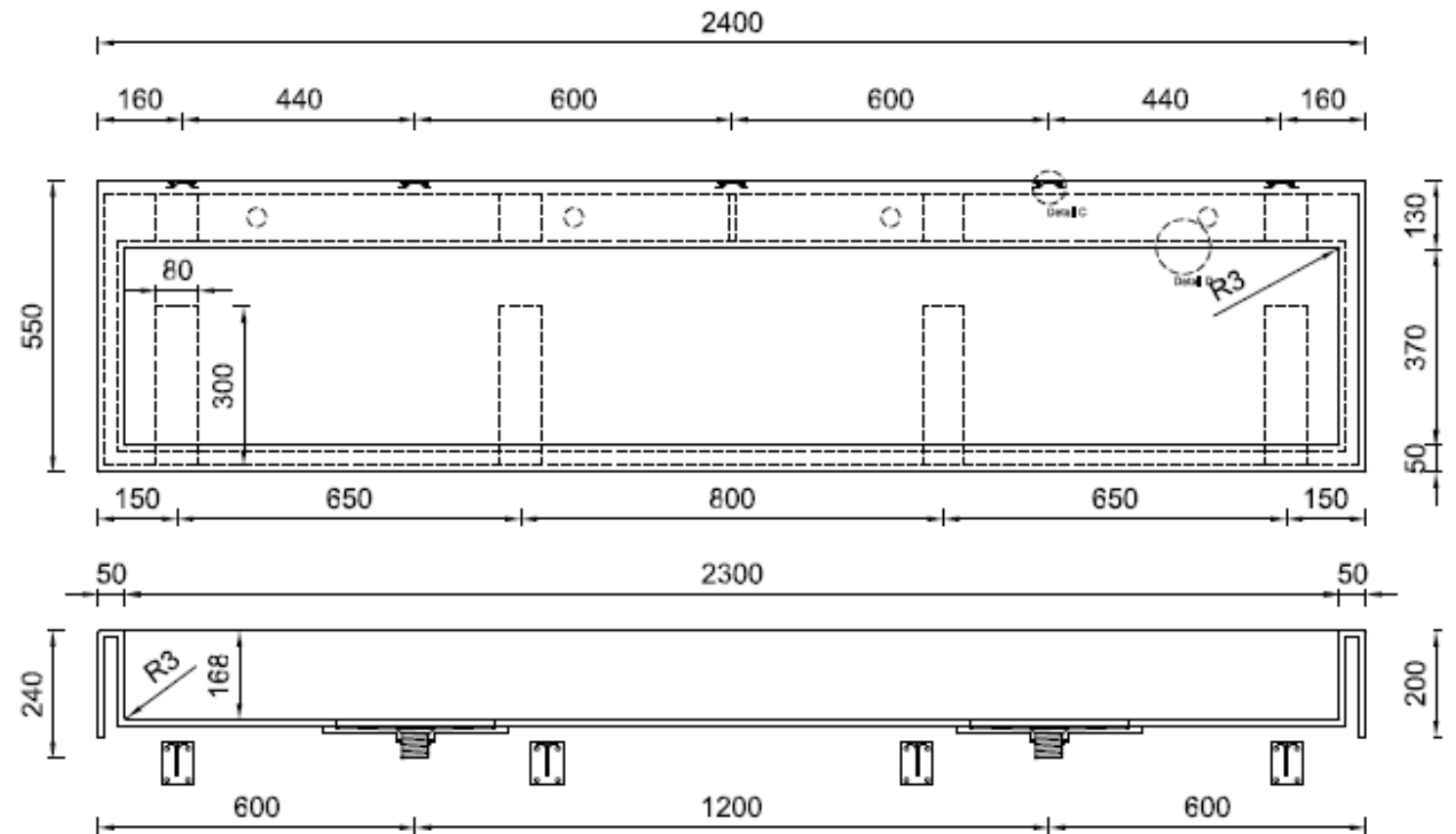


Instructions

1. Please check the washplane is in perfect condition before proceeding to installation.
2. Please ensure all fixing brackets and screws are in the box.
3. Ensure the structure / wall is sound and load bearing to take the weight of the unit. This washplane weighs approximately 91KG.
4. All required wall support fittings have been included with your product together with screws and plugs. Please ensure that you use a sharp masonry bit to drill the holes. M8*80 screws for cantilever wall brackets, M6*60 screws for hanging brackets.
5. Once the hanging supporting brackets are securely fixed, slide the unit down onto the pre-installed unit fitting. Be sure all fixtures are seated into the fixings. Use the adjusting bolts to level the unit.
6. If required, please make sure that you use a good quality silicone to seal where the back of the washplane meets the wall.



Waste Kit