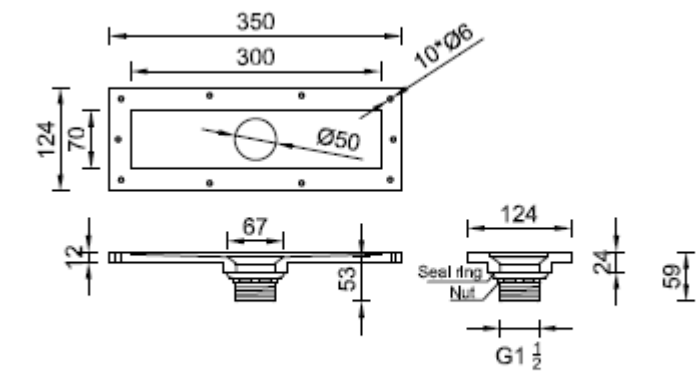
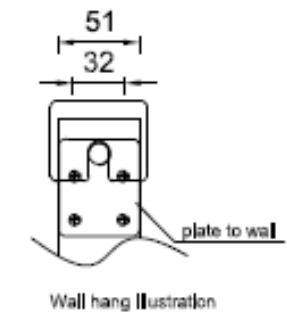
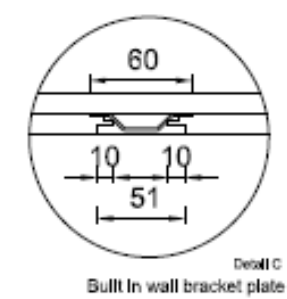
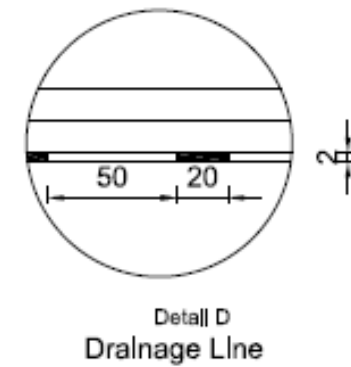
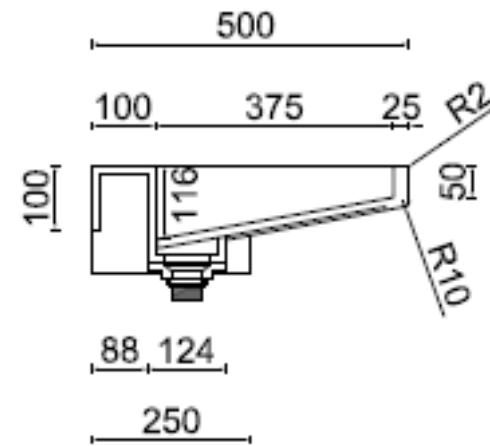
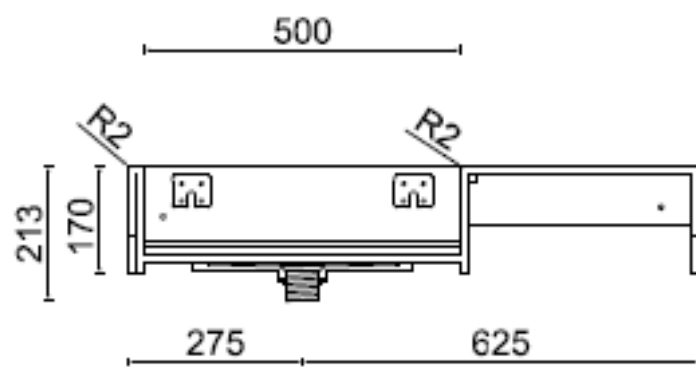
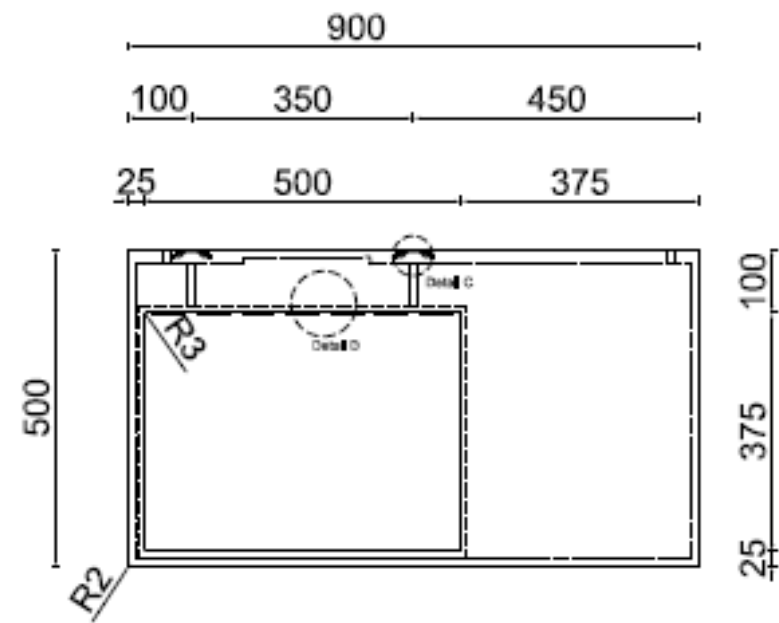


# Corian® Specification Sheet : 5211L 900 Washplane

[Revised November 2019]

## Notes:

Tap hole cutouts not included, drawing for location reference only.  
 All external edges sanded to 2mm radius  
 Top surface sanded to semi-gloss finish



Waste Kit

6	1 plywood wall bracket template
5	2 wall bracket fixing plates & screws
4	2 M8x80 expansion bolt
3	1 waste fittings, pre-assembled to #2
2	1 Corian waste kit, pre-assembled to #1
1	1 Corian Washplane PWD 5211L 720
#	Packing List

CASF Australia  
 Unit 3, 208 Walters Road, Arndell Park NSW 2148  
 Tel: 1300 795 044  
 Email: projects@casf.com.au

