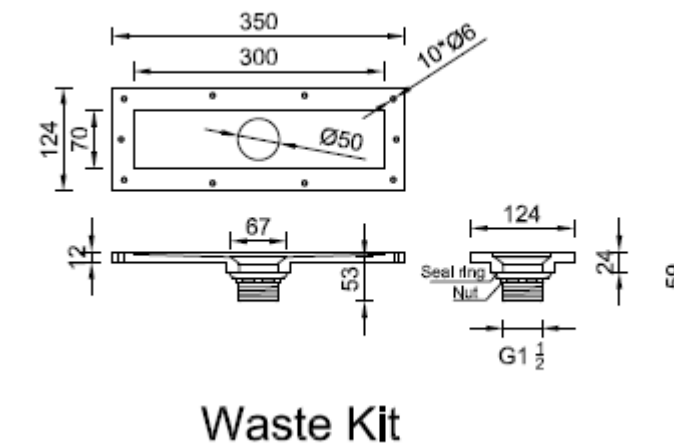
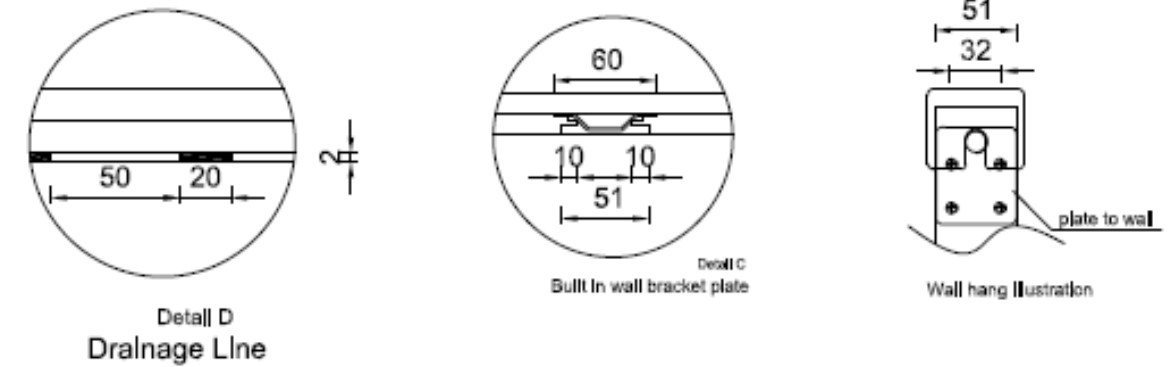
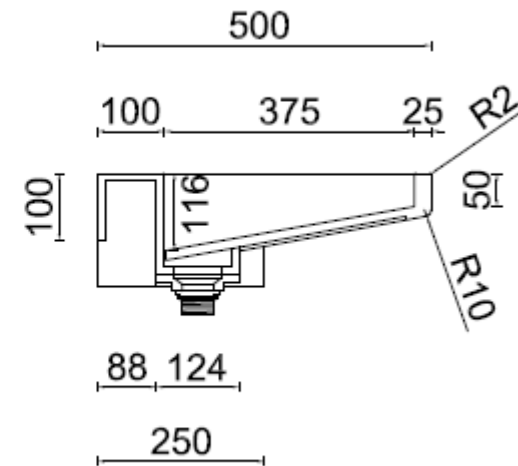
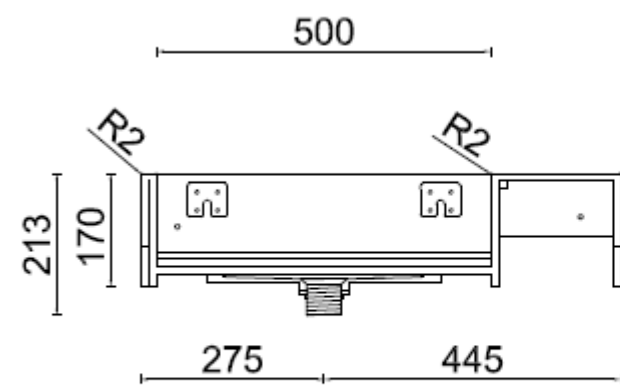
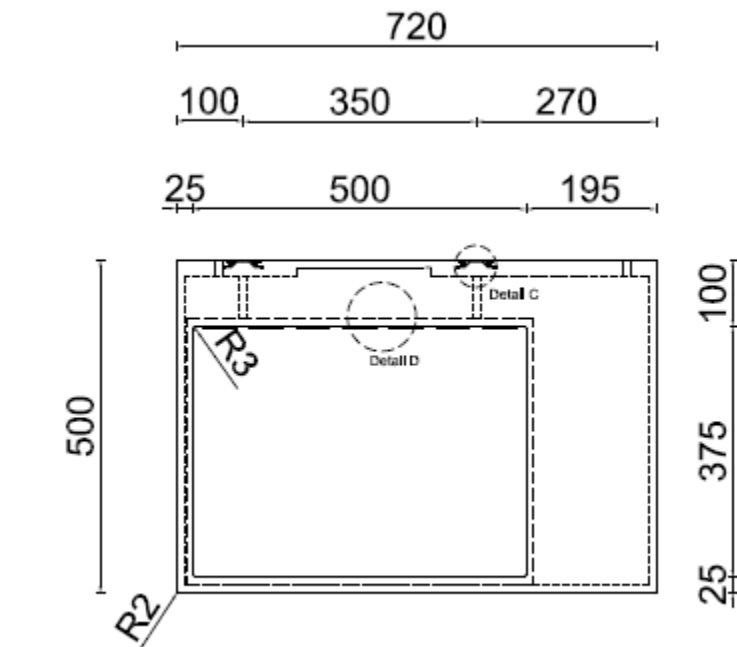


Corian® Specification Sheet : 5211L 720 Washplane

[Revised November 2019]

Notes:

Tap hole cutouts not included, drawing for location reference only.
 All external edges sanded to 2mm radius
 Top surface sanded to semi-gloss finish



CASF Australia
 Unit 3, 208 Walters Road, Arndell Park NSW 2148
 Tel: 1300 795 044
 Email: projects@casf.com.au

casf
 your space your way

CORIAN®
 SOLID SURFACE

6	1 plywood wall bracket template
5	2 wall bracket fixing plates & screws
4	2 M8x80 expansion bolt
3	1 waste fitting, pre-assembled to #2
2	1 Corian waste kit, pre-assembled to #1
1	1 Corian Washplane PWD 5211L 720
#	Packing List