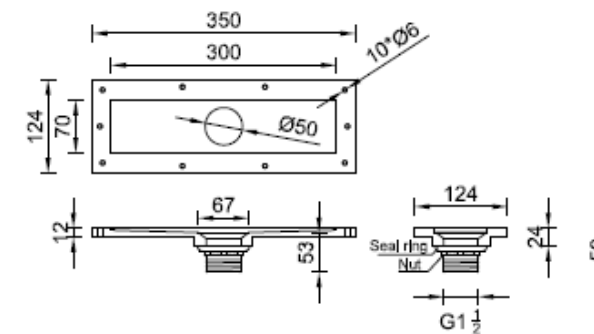
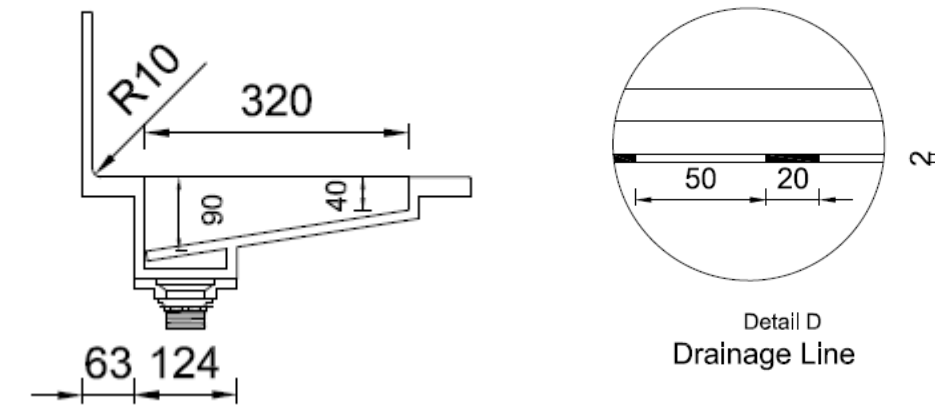
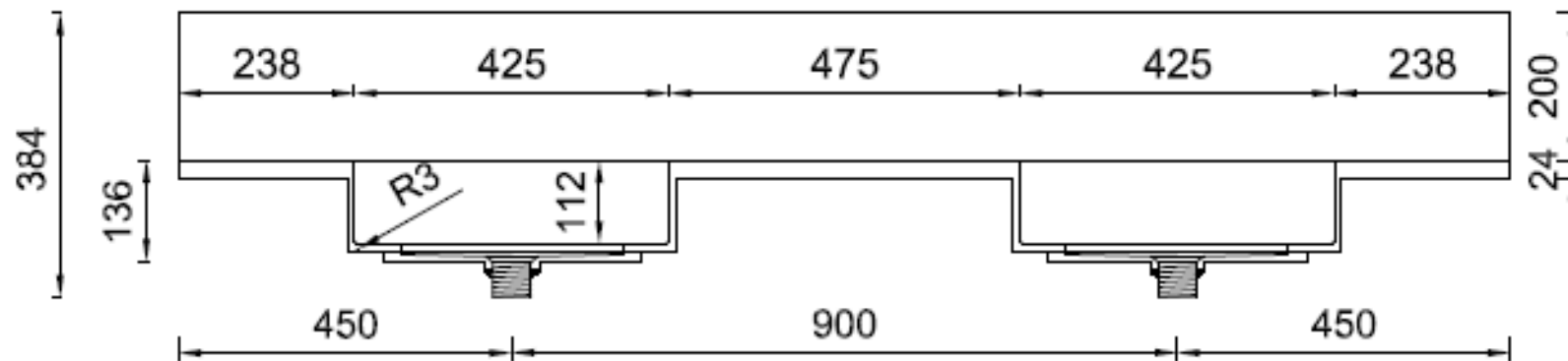
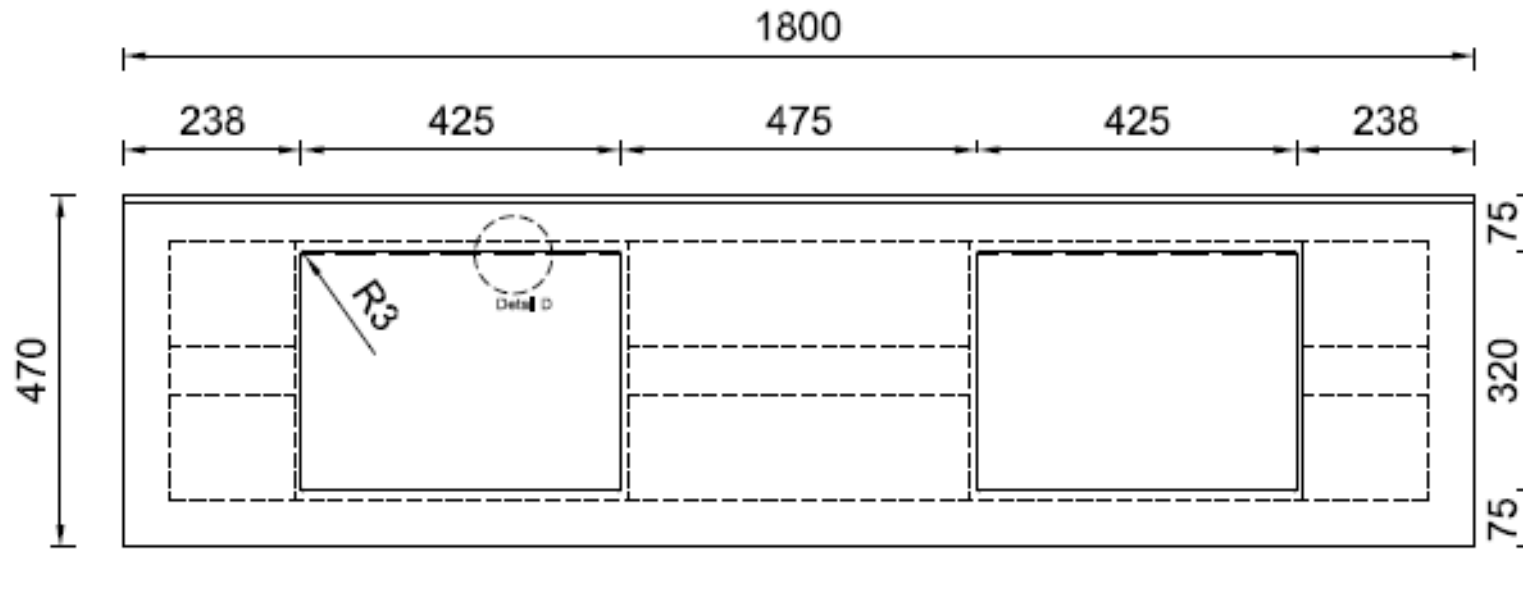


Corian® Specification Sheet : 4222 Washplane

[Revised November 2019]

Notes:

- Tap hole cutouts not included, drawing for location reference only.
- All external edges sanded to 2mm radius
- Top surface sanded to semi-gloss finish



Waste Kit

CASF Australia
 Unit 3, 208 Walters Road, Arndell Park NSW 2148
 Tel: 1300 795 044
 Email: projects@casf.com.au



3	2 waste fittings, pre-assembled to #2
2	2 waste kits, pre-assembled to #1
1	1 Corian Washplane 4222
#	Packing List