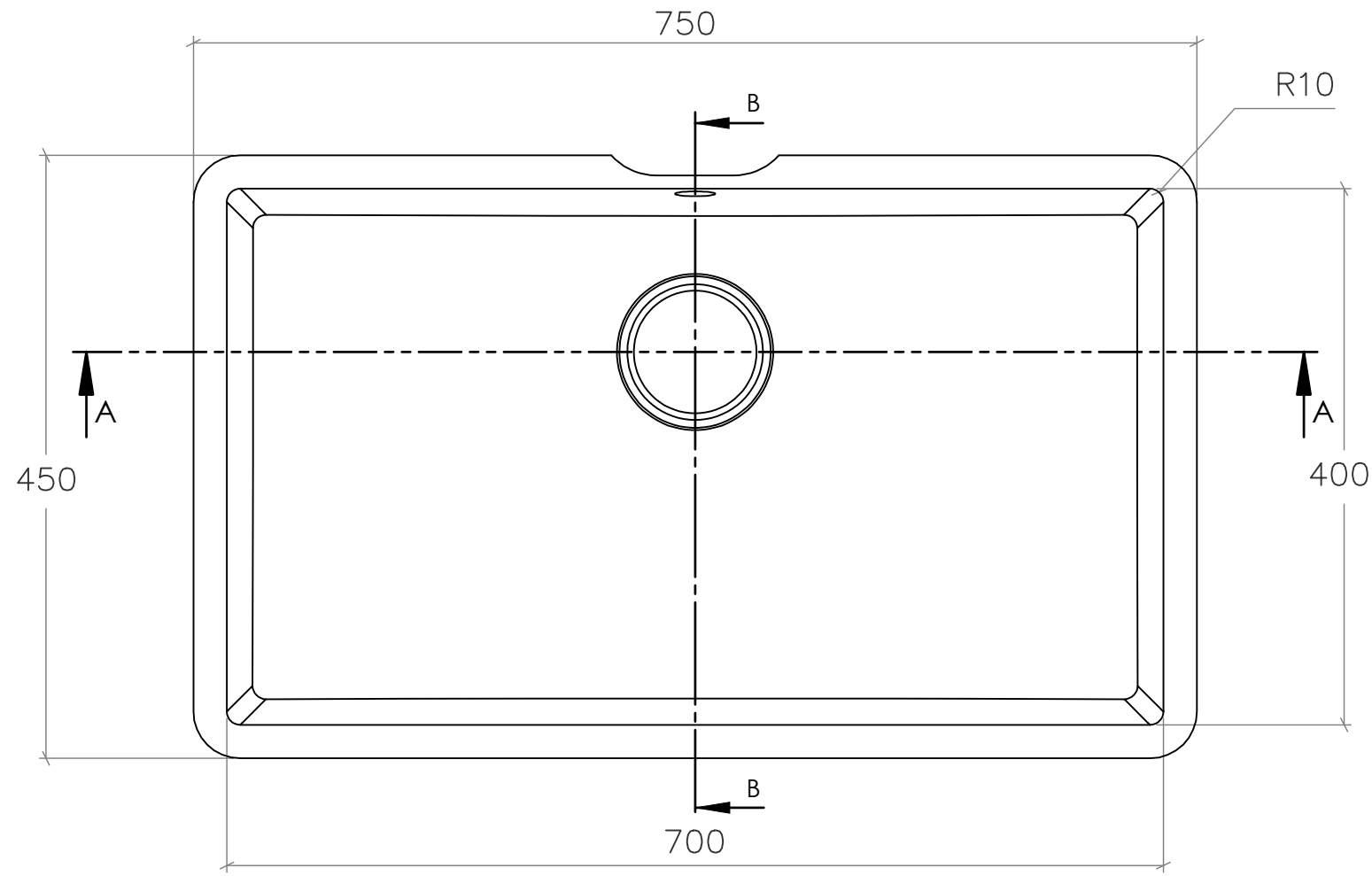
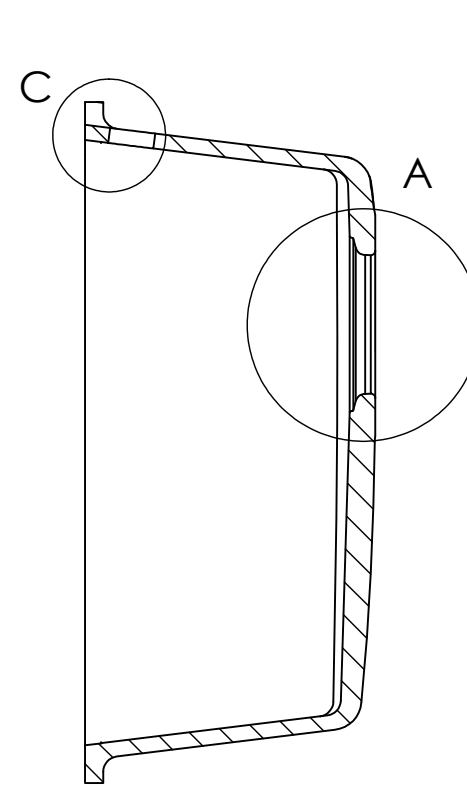


Corian® Specification Sheet : 966 Integrated Sink

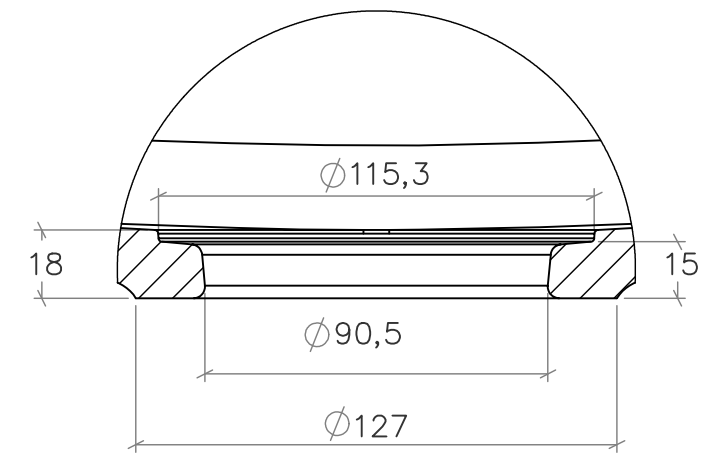
[Revised April 2021]



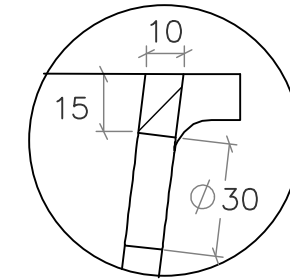
TOP VIEW



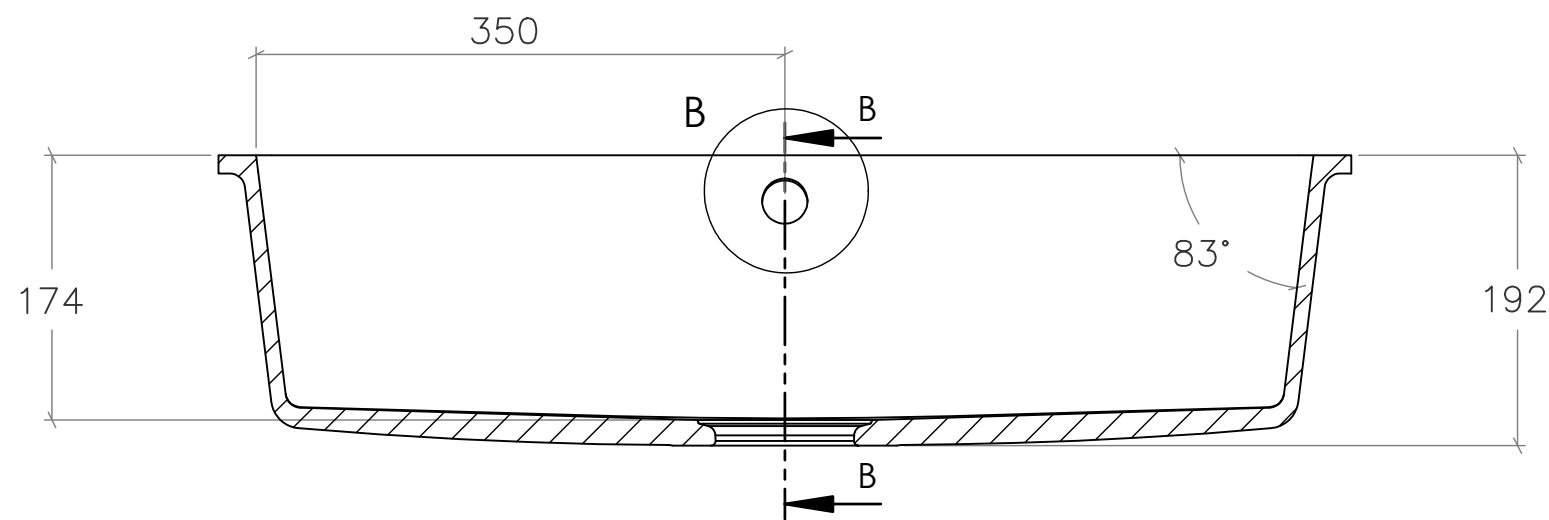
SECTION B-B



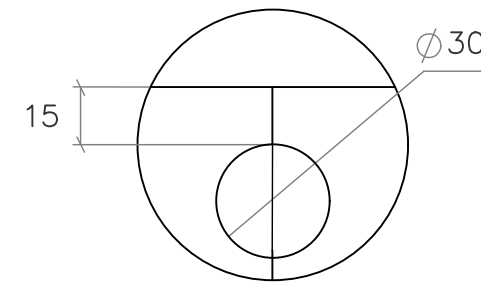
DETAIL A
SCALE 1 : 2



DETAIL C
SCALE 1 : 2



SECTION A-A



DETAIL B
SCALE 1 : 2

CASF Australia
 Unit 3, 208 Walters Road, Arndell Park NSW 2148
 Phone: 1300 795 044
 Email: projects@casf.com.au

