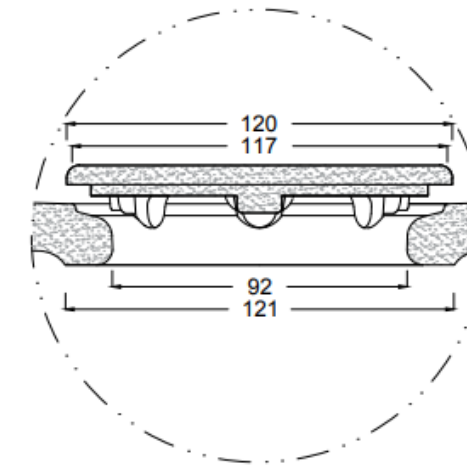
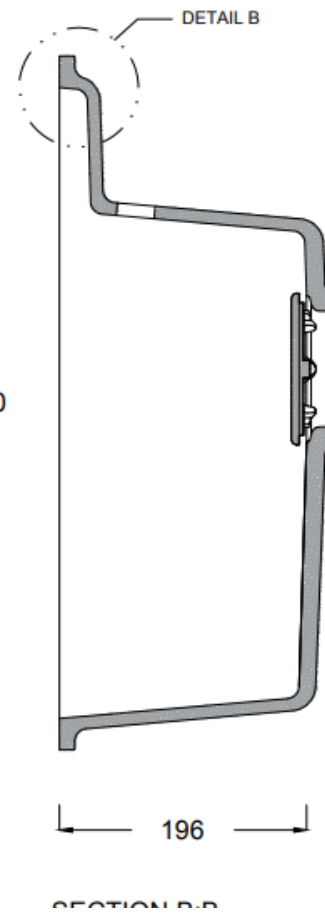
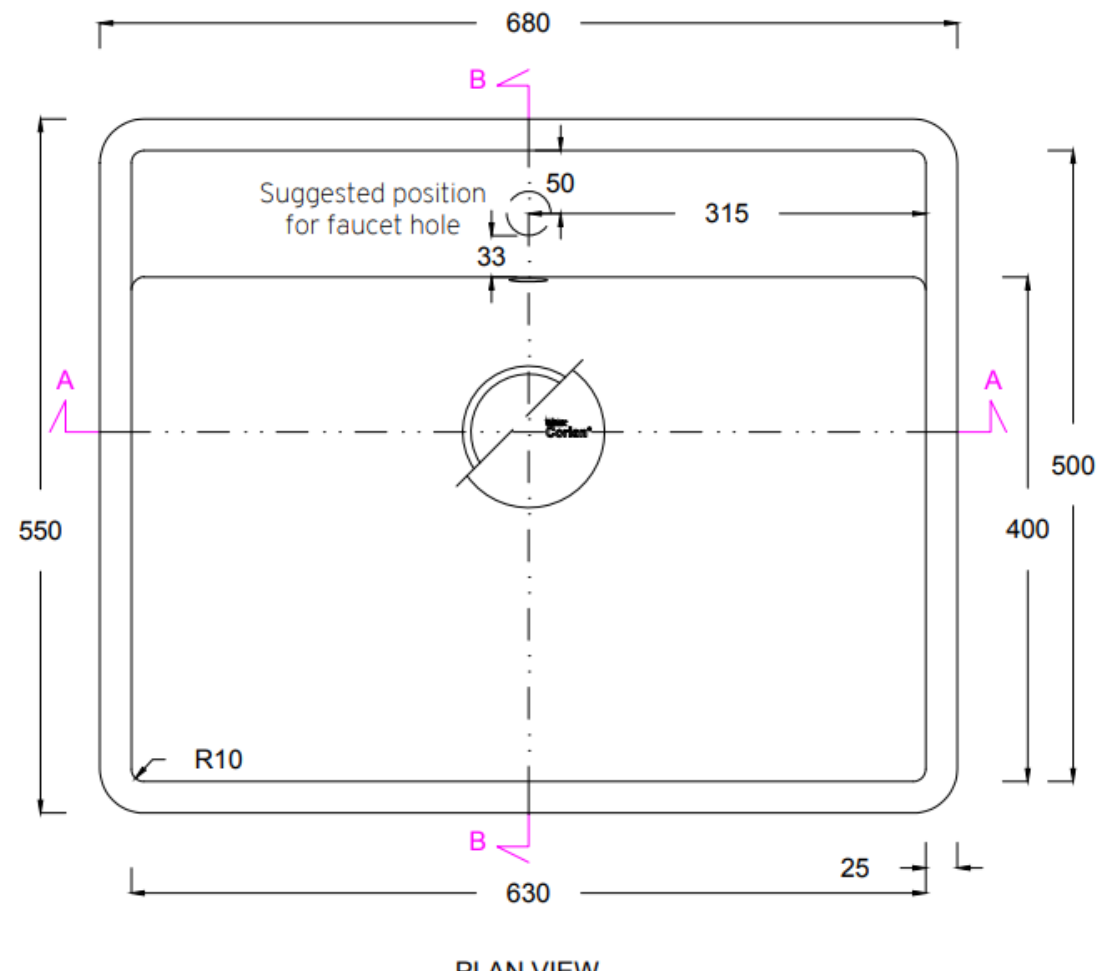
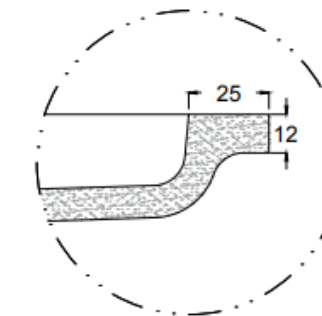


Corian® Specification Sheet : 9610 Integrated Sink

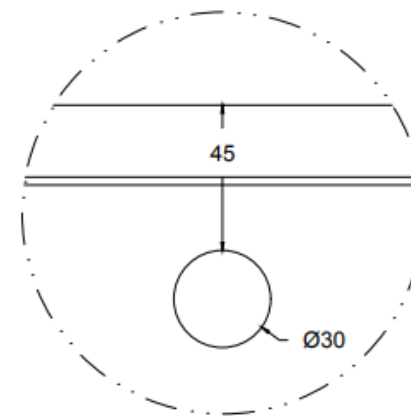
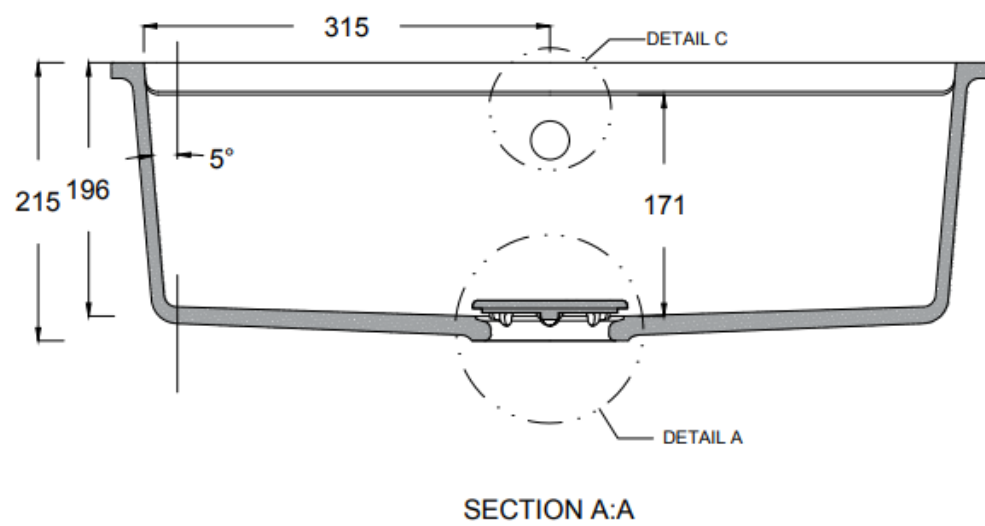
[Revised July 2021]



SCALE: 1:2



SCALE: 1:2



SCALE: 1:2

CASF Australia
 Unit 3, 208 Walters Road, Arndell Park NSW 2148
 Tel: 1300 795 044
 Email: projects@casf.com.au

