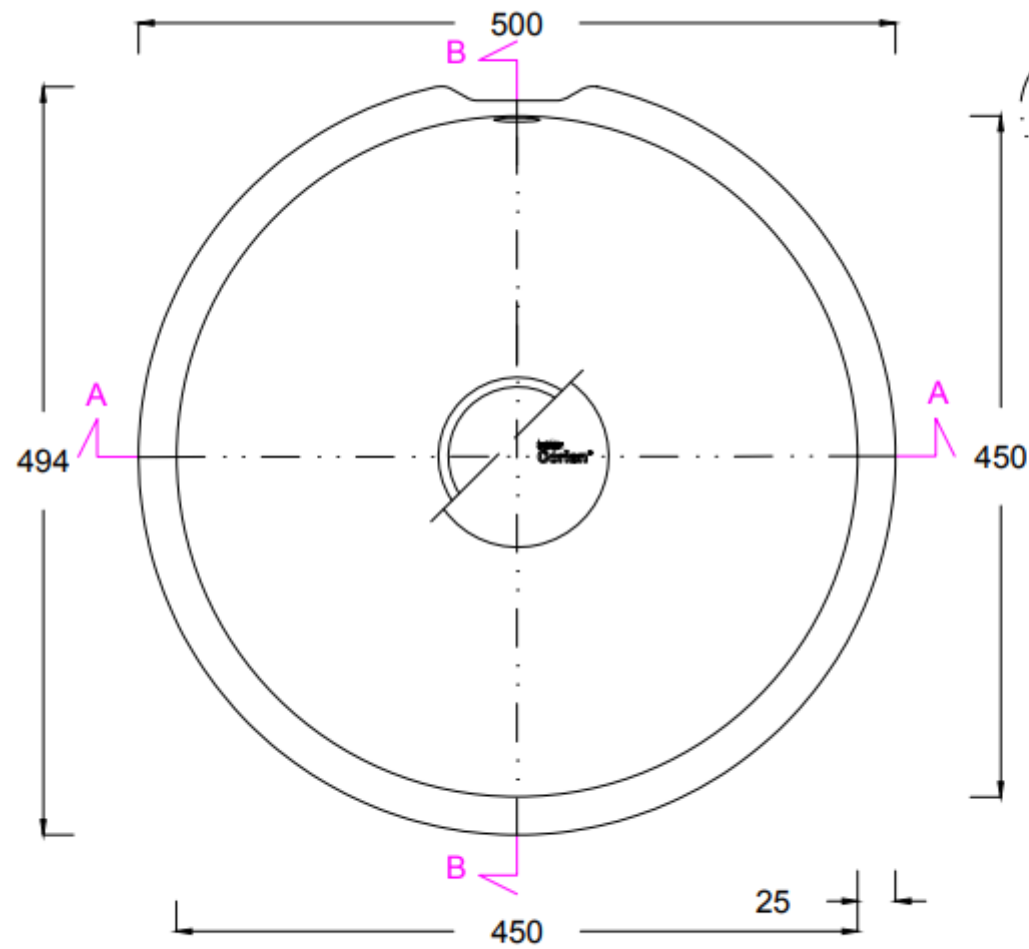
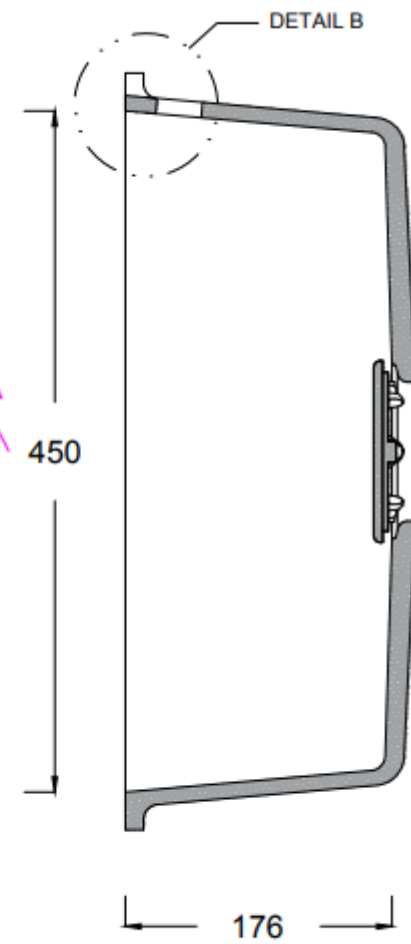


Corian® Specification Sheet : 9310 Integrated Sink

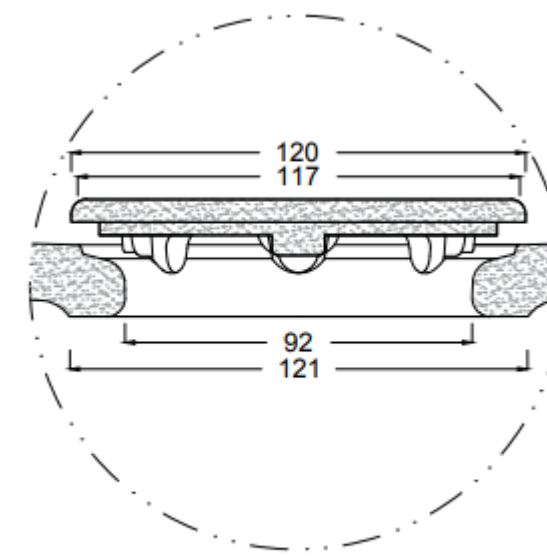
[Revised July 2021]



PLAN VIEW

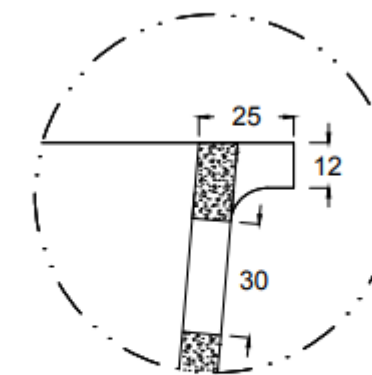


SECTION B:B



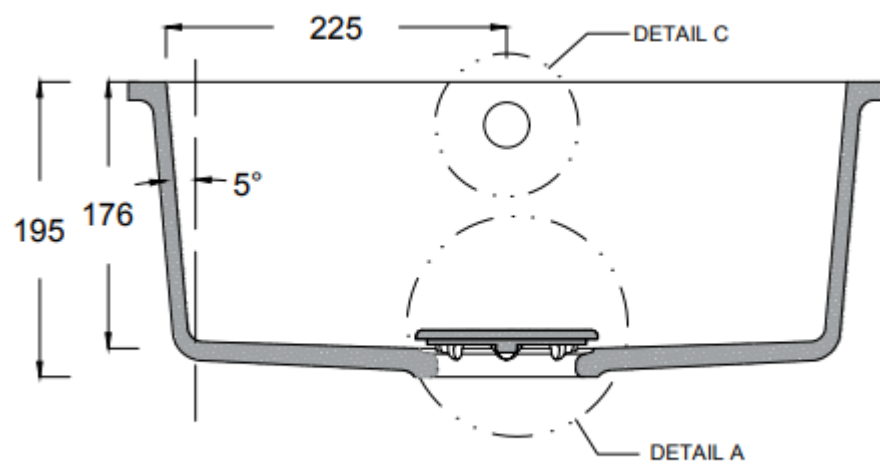
DETAIL A

SCALE: 1:2

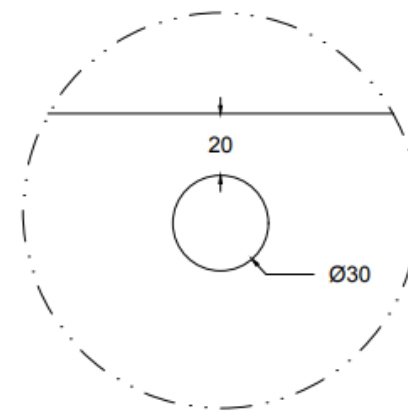


DETAIL B

SCALE: 1:2



SECTION A:A



DETAIL C

SCALE: 1:2

CASF Australia
 Unit 3, 208 Walters Road, Arndell Park NSW 2148
 Tel: 1300 795 044
 Email: projects@casf.com.au

casf
 your space your way

CORIAN®
 SOLID SURFACE