

Corian® Specification Sheet : PWD 800RHG

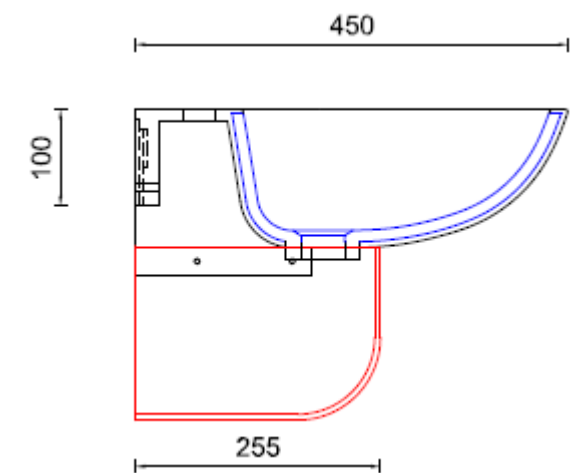
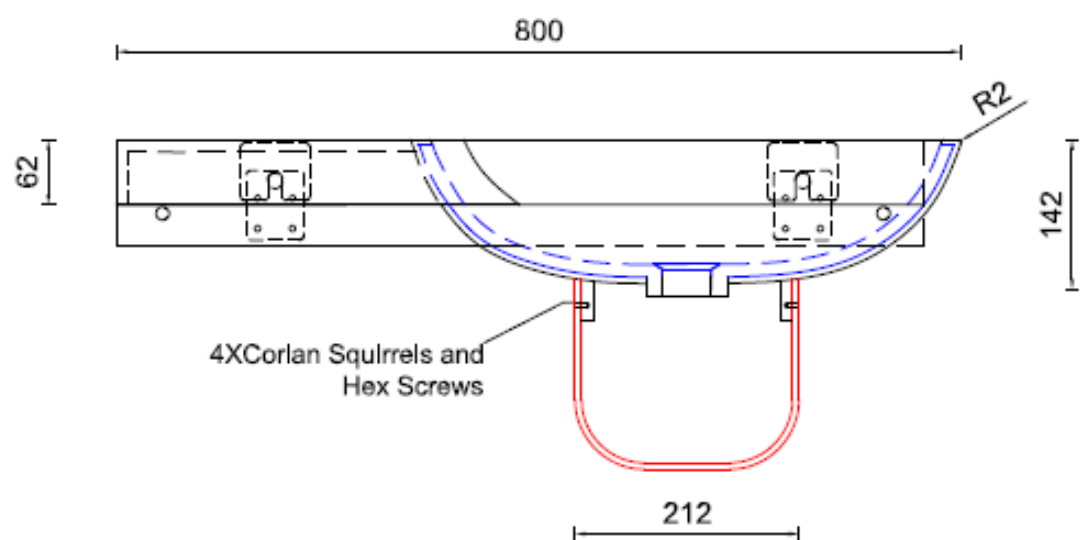
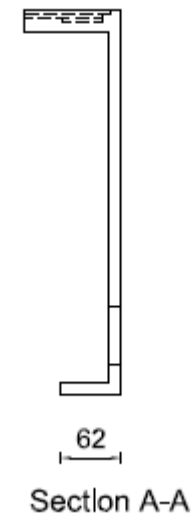
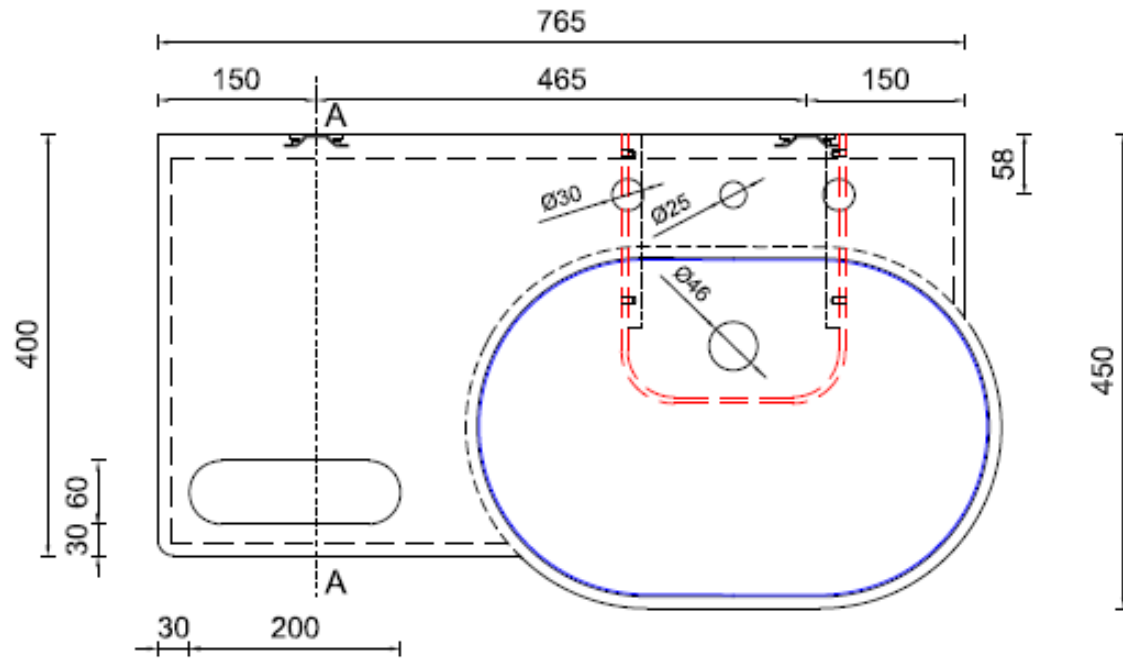
[Revised March 2022]

Notes:

- Tap hole cutouts not included, drawing for location reference only.
- All external edges sanded to 2mm radius
- Top surface sanded to semi-gloss finish

Key:

- Blue lines: Corian Sliver Gray
- Block lines: Corian Glacier White
- Red lines: Corian Glacier White 6mm



6	1 plywood template for wall brackets fixing holes
5	4 hex screws for shroud fixing
4	1 Corian shroud
3	2 M8x80 expansion bolts
2	2 wall bracket fixing plates and screws
1	1 Corian vanity
#	Packing List

CASF Australia
 Unit 3, 208 Walters Road, Arndell Park NSW 2148
 Tel: 1300 795 044
 Email: projects@casf.com.au

casf
 your space your way

CORIAN®
 SOLID SURFACE