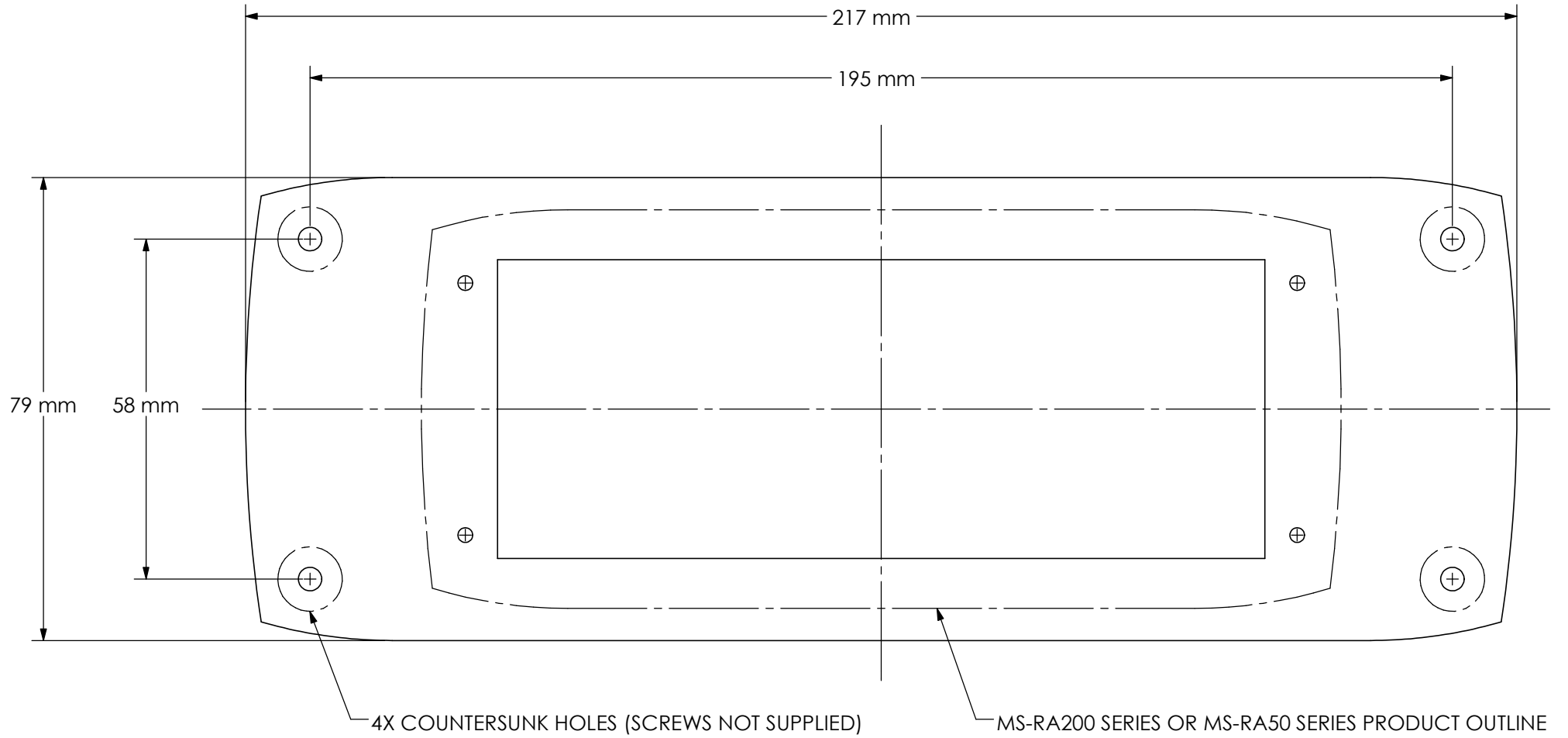


CHECK DIMENSIONS BEFORE CUTTING



FUSION MS-RA200MP