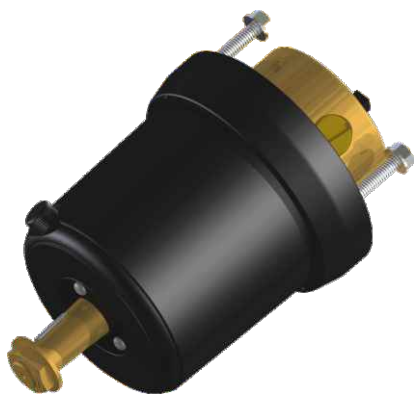
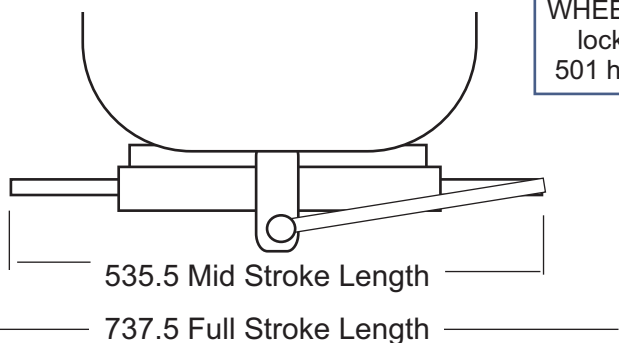


Commander HYDRAULIC STEERING FOR OUTBOARD MOTORS



COMKIT5

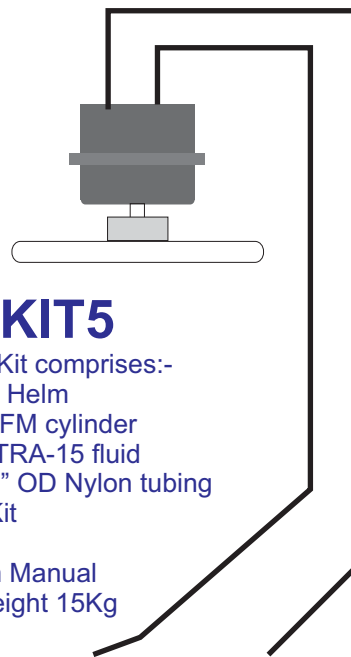
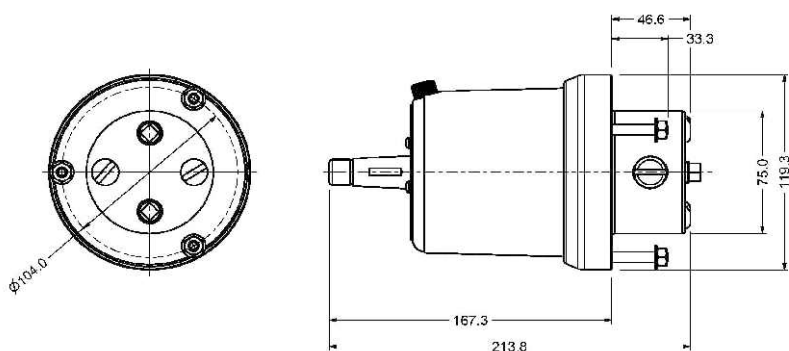
For Outboards up to single 200HP or dual outboards
Counter-rotating up to 400HP total



WHEEL TURNS
lock to lock
501 helm = 4.9

Model 516FM Cylinder dimensions

Capacity:- 137cc
Stroke:- 203mm
Weight:- 5Kg



COMKIT5

Complete Kit comprises:-
Model 501 Helm
Model 516FM cylinder
2 litres ULTRA-15 fluid
15Mtrs 3/8" OD Nylon tubing
Bleeding Kit
All fittings
Installation Manual
Packed weight 15Kg

SIMPLE INSTALLATION TO ANY OUTBOARD**
See steering circuits for multiple outboards and
catamaran installation options.

Model 501 Helm pump dimensions

Model 501 Capacity:-28cc/rev
In-built Lock valve
Maximum working pressure:- 800psi
Absolute maximum pressure:- 1000psi
Weight:- 5Kg

See also optional helm choices for front-mount
and tilting helms for this kit

