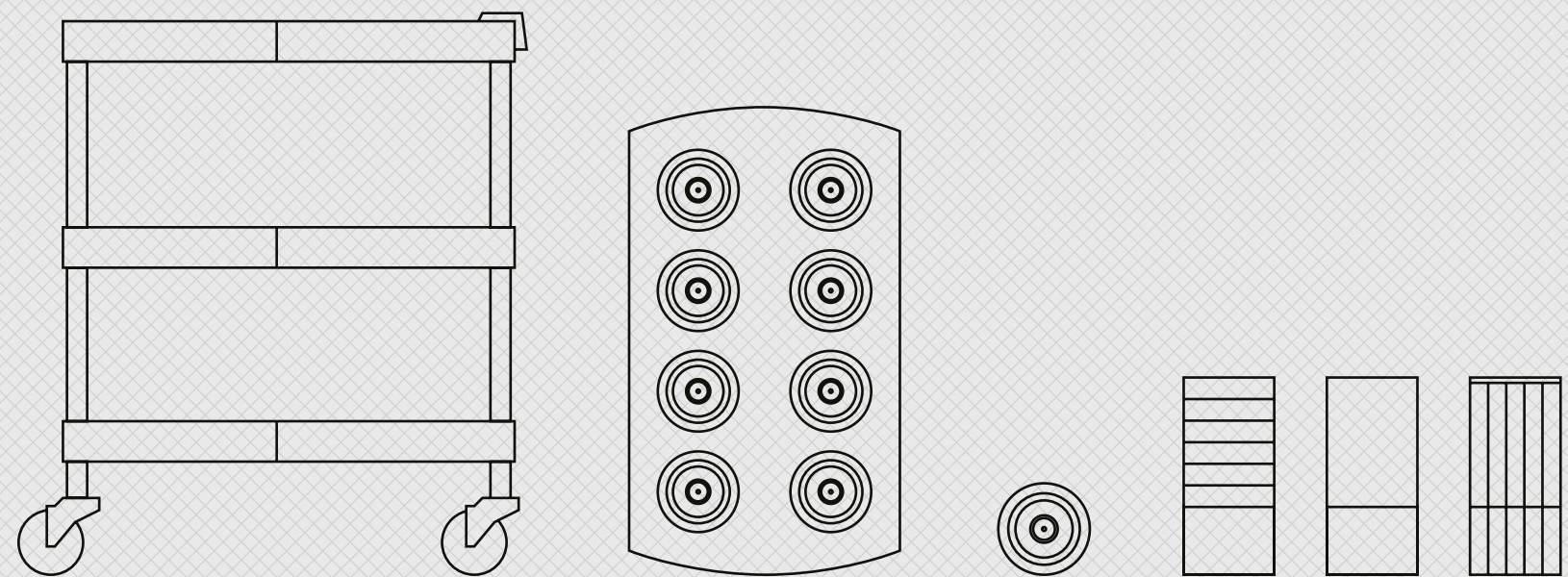


VOLTRA

## Specifications



# Totem: Alabaster

Natural alabaster internally lit, designed to create an ambient, even illumination. A push button located on the bottom of the lamp enables 3 step dimming function, with flicker mode activated by a long press. Available in two sizes, 100mm and 80mm.

**Individual or group charging options available.**

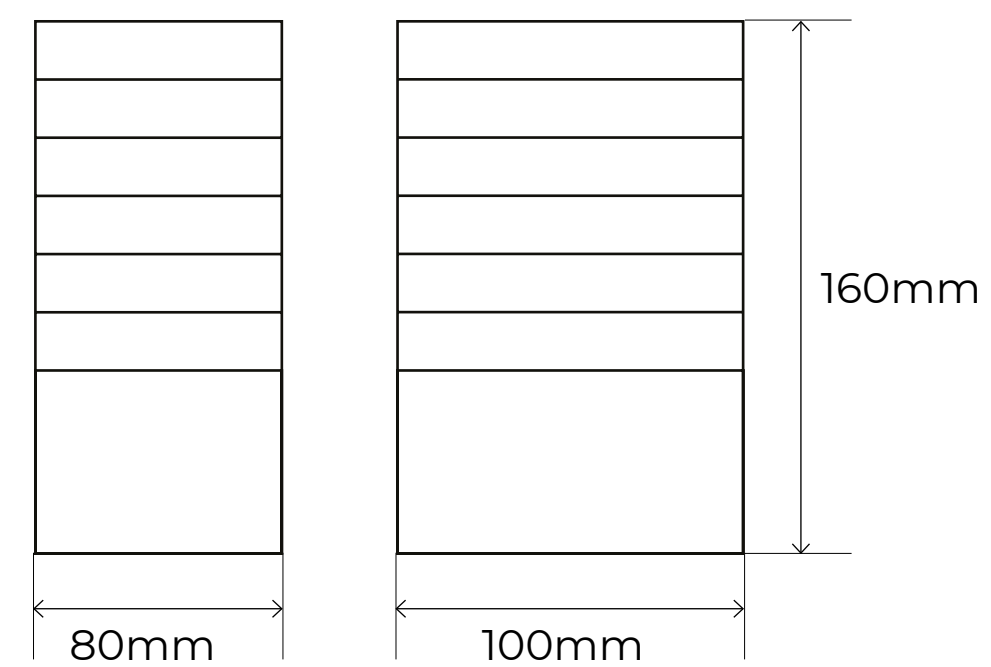
## Specifications

Product Code: VA080XX, VA100XX (XX indicates material finish)  
 Weight: 80mm - 1102g, 100mm - 1513g  
 Light Source: 6 x 0.5W LED  
 Colour Temperature (K): 2400K  
 CRI: 80  
 Lamp Life: 50000 Hours  
 Operating Time: High - 15 Hours, Medium - 25 Hours, Low - 45 Hours  
 Charging Time: 5 Hours  
 Battery: 3200mAh Lithium

## Standards



## Dimensions



**NB**  
Natural Brass

**PC**  
Polished Chrome

**AB**  
Antique Bronze

**SN**  
Satin Nickel

## Totem: Frosted

Soft, ambient lighting encased in a diffuser designed to gaze light towards the top of the lamp. A push button located on the bottom of the lamp enables 3 step dimming function, with flicker mode activated by a long press. Available in two sizes, 100mm and 80mm.

**Individual or group charging options available.**

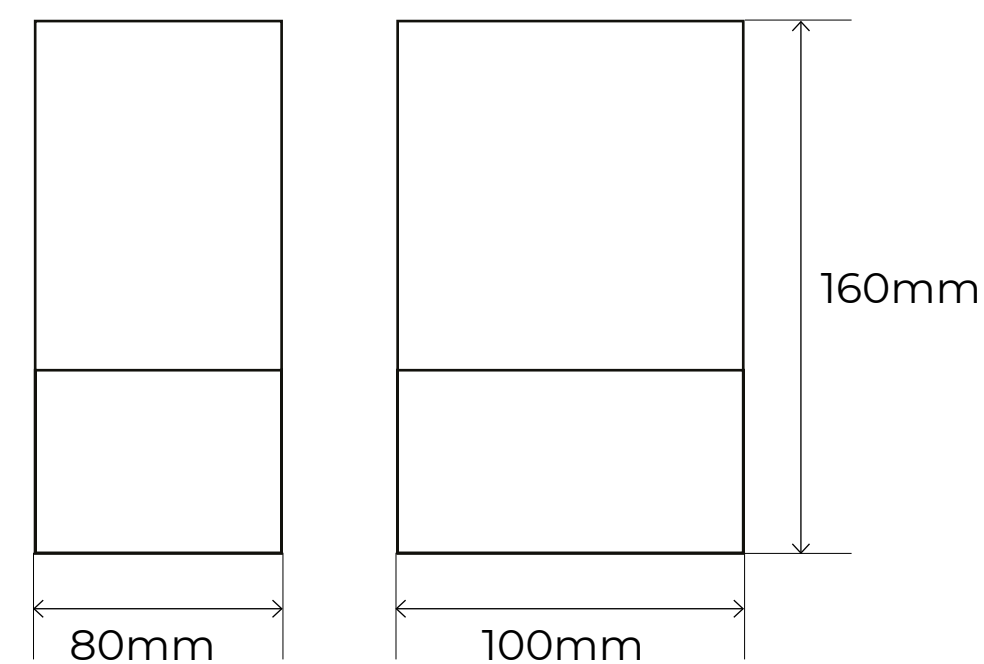
### Specifications

Product Code: VF080XX, VF100XX (XX indicates material finish)  
Weight: 80mm - 507g, 100mm - 623g  
Light Source: 6 x 0.5W LED  
Colour Temperature (K): 2400K  
CRI: 80  
Lamp Life: 50000 Hours  
Operating Time: High - 15 Hours, Medium - 25 Hours, Low - 45 Hours  
Charging Time: 5 Hours  
Battery: 3200mAh Lithium

### Standards



### Dimensions



# Totem: Reeded

Reeded transparent reeded shell with brass mesh lining cocoons the candle-like internal light. A push button located on the bottom of the lamp enables 3 step dimming function, with flicker mode activated by a long press. Available in two sizes, 100mm and 80mm.

**Individual or group charging options available.**

## Specifications

Product Code: VR080XX, VR100XX (XX indicates material finish)

Weight: 80mm - 609g, 100mm - 972g

Light Source: 6 x 0.5W LED

Colour Temperature (K): 2400K

CRI: 80

Lamp Life: 50000 Hours

Operating Time: High - 15 Hours, Medium - 25 Hours, Low - 45 Hours

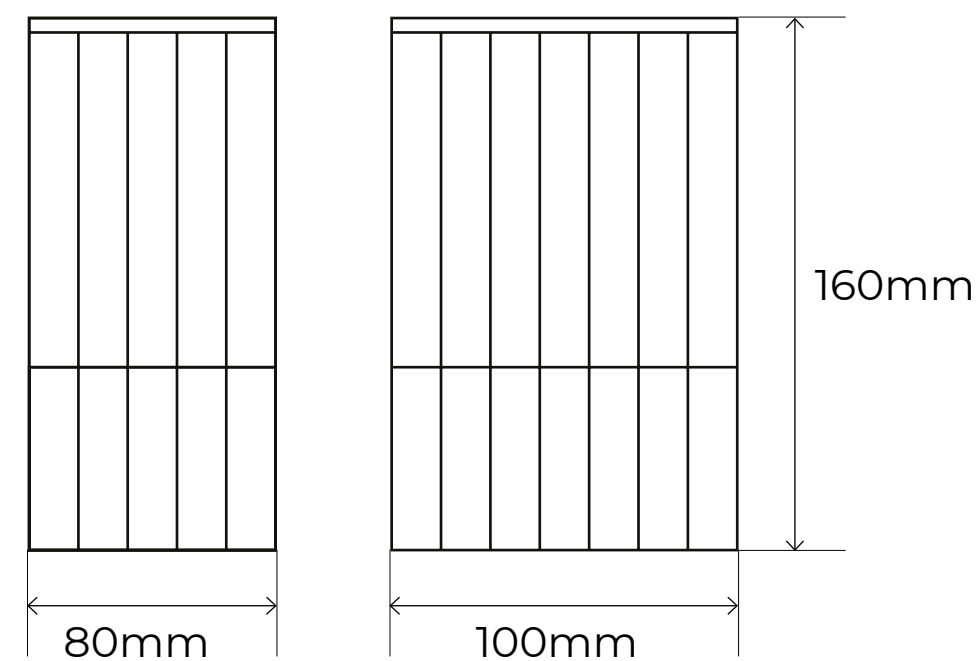
Charging Time: 5 Hours

Battery: 3200mAh Lithium

## Standards



## Dimensions



## Charging: Ferry

Charge groups of up to 48 lamps simultaneously. Each tier consists of two 8-lamp charging bays which can be removed for easy distribution. Two button function to set your desired light level and function for multiple lamps at once. Status indicator lights located adjacent to each lamp.

Supplied with cable adaptor, suitable for UK, EU and US.

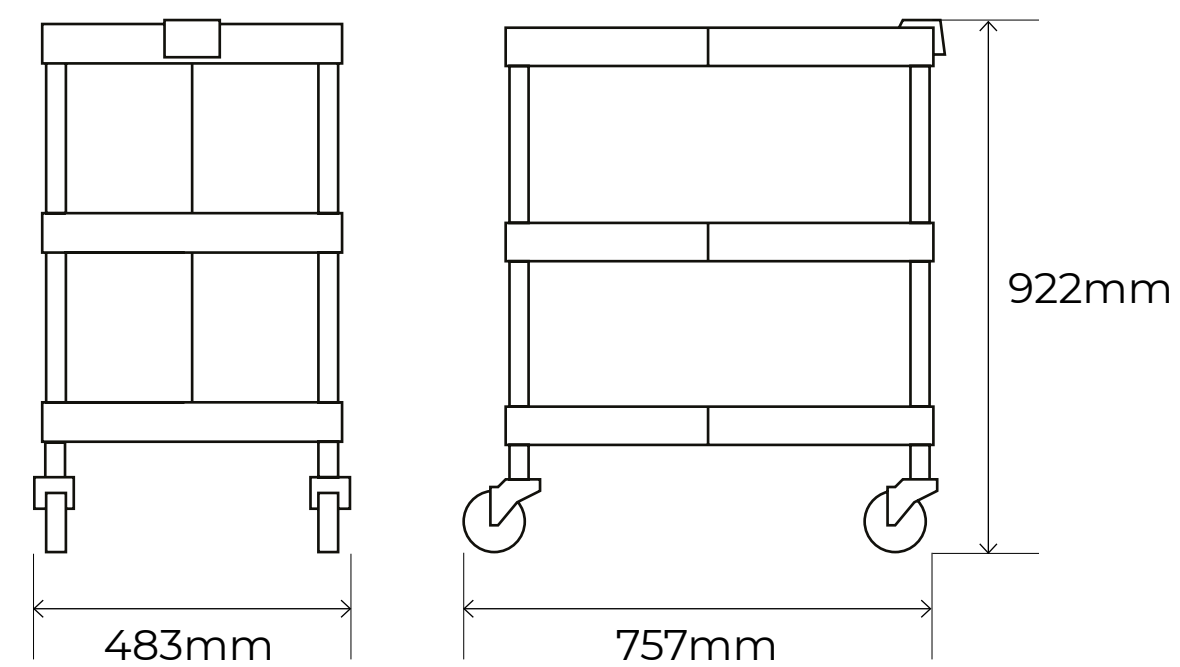
### Specifications

Product Code: VO016MB, VO032MB, VO048MB  
Weight: 30kg (1 layer), 35kg (2 layers), 40kg (3 layers)  
Materials: ABS / Stainless Steel

### Standards



### Dimensions



## Charging: Bay

Group charger capable of charging up to 8 lamps simultaneously. Two button function to set desired light level for multiple lamps at once. Status indicator lights located adjacent to each lamp.

Supplied with cable adaptor, suitable for UK, EU and US.

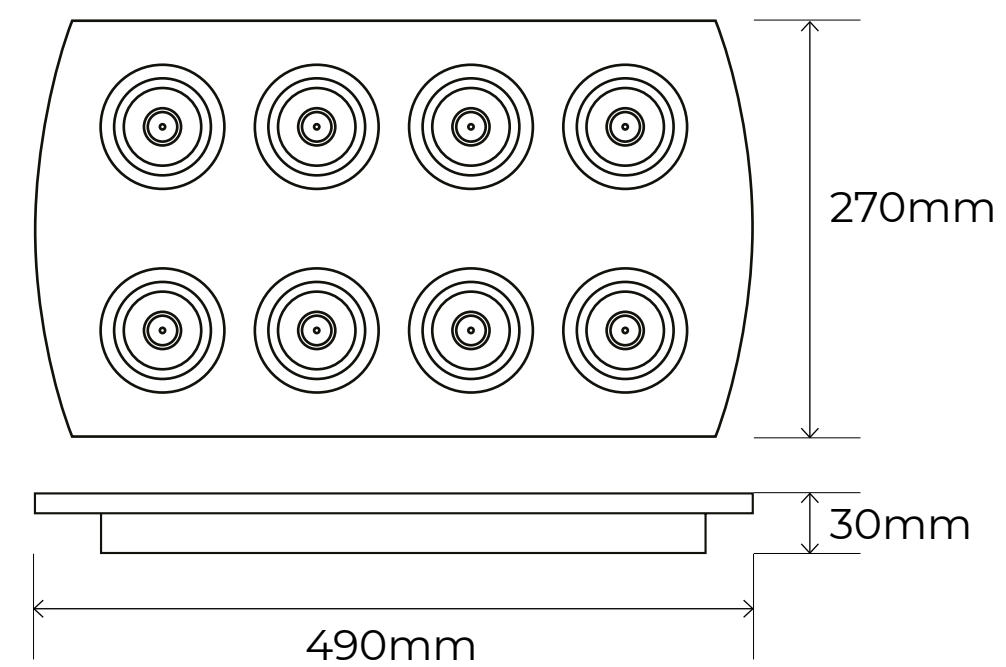
### Specifications

Product Code: VO490MB  
Weight: 4kg  
Materials: ABS / Mild Steel

### Standards



### Dimensions



# Charging: Pad

Individual charging pad with indicator light to display power status.

Supplied with cable adaptor, suitable for UK, EU and US.

## Specifications

Product Code: VS100MB  
Weight: 1kg  
Materials: ABS / Mild Steel

## Standards



## Dimensions

