



Silicone Hose Aluminum Tube Clamps

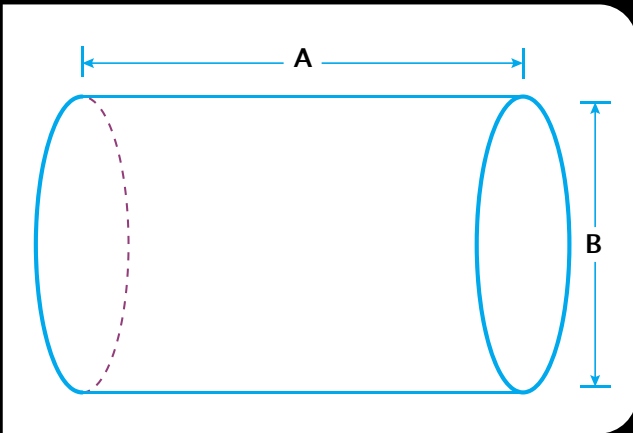
VOLUME 2



National Auto Parts Depot Pty Ltd
20 Production Drive, Campbellfield 3061
P: (03) 9357 6100 sales@naparts.com.au

Straight Hoses

Material: Silicone VMQ (Vinyl Methyl Quality)
Textile reinforcement: 3 or 4 plies of polyester net
Temperature range: -60°C to 240°C
Standard wall thickness: 4.0mm - 5.0mm
Lengths: 76mm, 250mm & 1000mm
Appearance: Plain outward and inner
Colour: Black



Part Number Straight Hose	Inner Diameter (B)		Length (A)	
	metric	imperial	metric	imperial
SH-S-6-1000-BLK	6.5mm	.25In	1000mm	39.4In
SH-S-8-1000-BLK	8mm	.3125In	1000mm	39.4In
SH-S-10-1000-BLK	9.5mm	.375In	1000mm	39.4In
SH-S-13-1000-BLK	13mm	.50In	1000mm	39.4In
SH-S-16-1000-BLK	16mm	.625In	1000mm	39.4In
SH-S-19-1000-BLK	19mm	.75In	1000mm	39.4In
SH-S-51-76-BLK	51mm	2.0In	76mm	3.0In
SH-S-51-250-BLK	51mm	2.0In	250mm	9.8In
SH-S-54-76-BLK	54mm	2.125In	76mm	3.0In
SH-S-57-76-BLK	57mm	2.25In	76mm	3.0In
SH-S-57-250-BLK	57mm	2.25In	250mm	9.8In
SH-S-60-76-BLK	60mm	2.375In	76mm	3.0In
SH-S-63-76-BLK	63mm	2.5In	76mm	3.0In
SH-S-63-250-BLK	63mm	2.5In	250mm	9.8In
SH-S-63-1000-BLK	63mm	2.5In	1,000mm	39.4In
SH-S-70-76-BLK	70mm	2.75In	76mm	3.0In
SH-S-76-76-BLK	76mm	3.0In	76mm	3.0In
SH-S-76-250-BLK	76mm	3.0In	250mm	9.8In
SH-S-76-1000-BLK	76mm	3.0In	1,000mm	39.4In
SH-S-80-76-BLK	80mm	3.125In	76mm	3.0In
SH-S-83-76-BLK	83mm	3.25In	76mm	3.0In
SH-S-89-76-BLK	89mm	3.5In	76mm	3.0In
SH-S-95-76-BLK	95mm	3.75In	76mm	3.0In
SH-S-102-76-BLK	102mm	4.0In	76mm	3.0In
SH-S-102-250-BLK	102mm	4.0In	250mm	9.8In

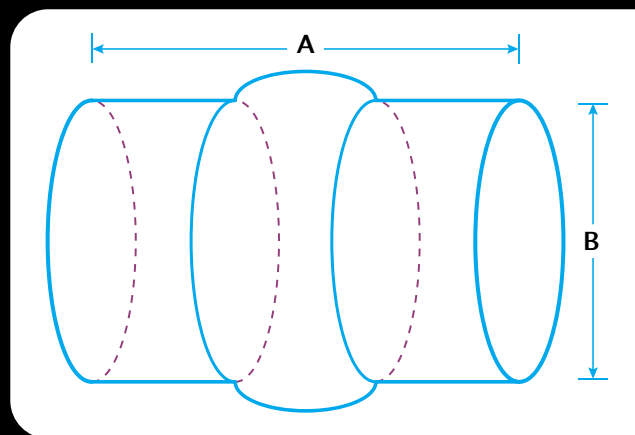
Hump Hoses

Material: Silicone VMQ (Vinyl Methyl Quality)
Textile reinforcement: 3 or 4 plies of polyester net
Temperature range: -60°C to 240°C
Standard wall thickness: 4.0mm - 5.0mm
Lengths: 76mm
Appearance: Plain outward and inner
Colour: Black



Hump Hoses cont.

Part Number	Inner Diameter (B)		Length (A)	
	metric	imperial	metric	imperial
SH-HU-51-76-BLK	51mm	2.0in	76mm	3.0in
SH-HU-60-76-BLK	60mm	2.375in	76mm	3.0in
SH-HU-63-76-BLK	63mm	2.5in	76mm	3.0in
SH-HU-70-76-BLK	70mm	2.75in	76mm	3.0in
SH-HU-76-76-BLK	76mm	3.0in	76mm	3.0in
SH-HU-80-76-BLK	80mm	3.125in	76mm	3.0in
SH-HU-83-76-BLK	83mm	3.25in	76mm	3.0in
SH-HU-89-76-BLK	89mm	3.5in	76mm	3.0in
SH-HU-95-76-BLK	95mm	3.75in	76mm	3.0in
SH-HU-102-76-BLK	102mm	4.0in	76mm	3.0in

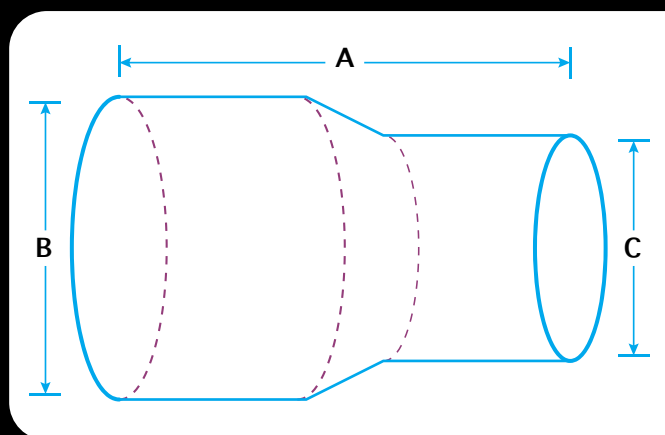


Straight Reducer



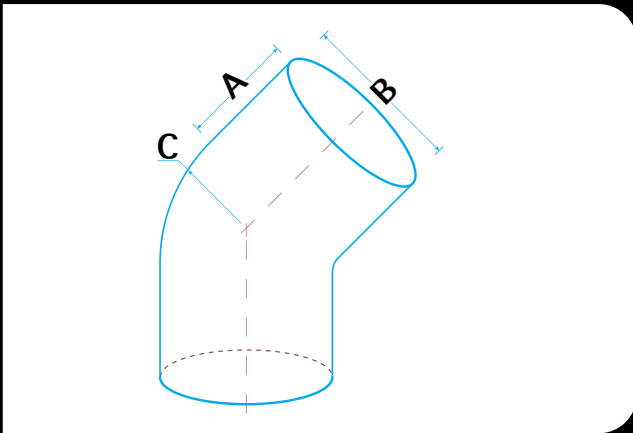
Material:	Silicone VMQ (Vinyl Methyl Quality)
Textile reinforcement:	3 or 4 plies of polyester net
Temperature range:	-60°C to 240°C
Standard wall thickness:	4.0mm - 5.0mm
Lengths:	76mm
Appearance	Plain outward and inner
Colour:	Black

Part Number	Inner Diameter (B) > (C)		Length (A)	
	metric	imperial	metric	imperial
SH-R-51-38-BLK	51mm > 38mm	2in > 1.5in	76mm	3.0in
SH-R-51-45-BLK	51mm > 45mm	2in > 1.75in	76mm	3.0in
SH-R-54-51-BLK	54mm > 51mm	2.125in > 2in	76mm	3.0in
SH-R-57-51-BLK	57mm > 51mm	2.25in > 2in	76mm	3.0in
SH-R-60-48-BLK	60mm > 48mm	2.375in > 1.875in	76mm	3.0in
SH-R-63-51-BLK	63mm > 51mm	2.5in > 2in	76mm	3.0in
SH-R-63-57-BLK	63mm > 57mm	2.5in > 2.25in	76mm	3.0in
SH-R-70-51-BLK	70mm > 51mm	2.75in > 2in	76mm	3.0in
SH-R-70-57-BLK	70mm > 57mm	2.75in > 2.25in	76mm	3.0in
SH-R-70-63-BLK	70mm > 63mm	2.75in > 2.5in	76mm	3.0in
SH-R-76-51-BLK	76mm > 51mm	3in > 2in	76mm	3.0in
SH-R-76-57-BLK	76mm > 57mm	3in > 2.25in	76mm	3.0in
SH-R-76-63-BLK	76mm > 63mm	3in > 2.5in	76mm	3.0in
SH-R-76-70-BLK	76mm > 70mm	3in > 2.75in	76mm	3.0in
SH-R-80-60-BLK	80mm > 60mm	3.125in > 2.375in	76mm	3.0in
SH-R-80-63-BLK	80mm > 63mm	3.125in > 2.5in	76mm	3.0in
SH-R-80-70-BLK	80mm > 70mm	3.125in > 2.75in	76mm	3.0in
SH-R-80-74-BLK	80mm > 74mm	3.125in > 2.9375in	76mm	3.0in
SH-R-80-76-BLK	80mm > 76mm	3.125in > 3in	76mm	3.0in
SH-R-83-70-BLK	83mm > 70mm	3.25in > 2.75in	76mm	3.0in
SH-R-83-76-BLK	83mm > 76mm	3.25in > 3in	76mm	3.0in
SH-R-89-76-BLK	89mm > 76mm	3.5in > 3in	76mm	3.0in
SH-R-89-80-BLK	89mm > 80mm	3.5in > 3.125in	76mm	3.0in
SH-R-102-76-BLK	102mm > 76mm	4in > 3in	76mm	3.0in
SH-R-102-89-BLK	102mm > 89mm	4in > 3.55in	76mm	3.0in
SH-R-127-102-BLK	127mm > 102mm	5in > 4in	76mm	3.0in

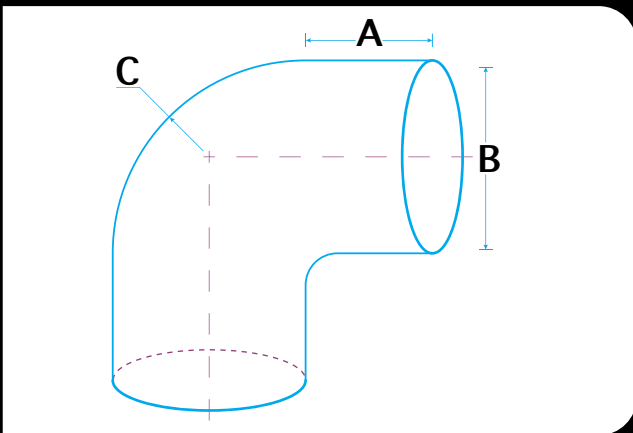


Elbow 45° / 90° / 135°

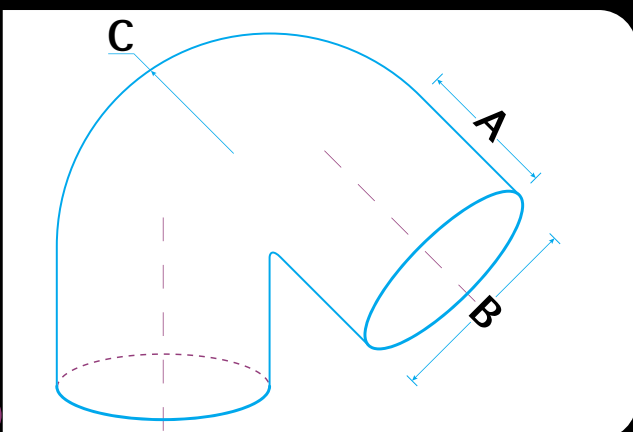
Material: Silicone VMQ (Vinyl Methyl Quality)
Textile reinforcement: 3 or 4 plies of polyester net
Temperature range: -60°C to 240°C
Standard wall thickness: 4.0mm - 5.0mm
Lengths: 50mm
Appearance: Plain outward and inner
Colour: Black



Part Number	Inner Diameter (B)		Length (A)	
	metric	imperial	metric	imperial
SH-E45-51-50-BLK	51mm	2in	50mm	2.0in
SH-E45-57-50-BLK	57mm	2.25in	50mm	2.0in
SH-E45-63-50-BLK	63mm	2.5in	50mm	2.0in
SH-E45-70-50-BLK	70mm	2.75in	50mm	2.0in
SH-E45-76-50-BLK	76mm	3in	50mm	2.0in
SH-E45-83-50-BLK	83mm	3.25in	50mm	2.0in
SH-E45-89-50-BLK	89mm	3.5in	50mm	2.0in
SH-E45-95-50-BLK	95mm	3.75in	50mm	2.0in
SH-E45-102-50-BLK	102mm	4in	50mm	2.0in



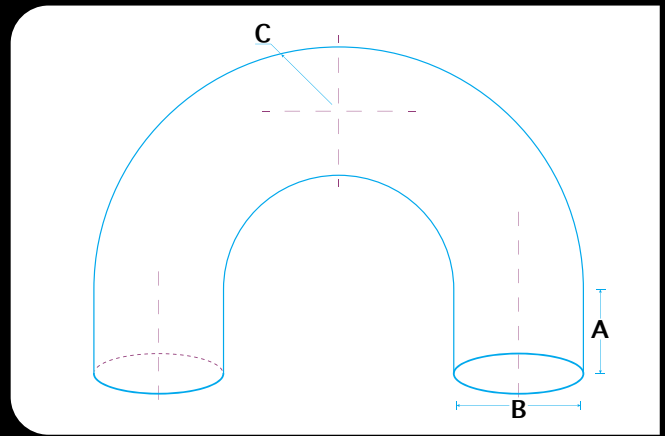
Elbow 90° Degree (C)				
SH-E90-51-50-BLK	51mm	2in	50mm	2.0in
SH-E90-54-50-BLK	54mm	2.125in	50mm	2.0in
SH-E90-57-50-BLK	57mm	2.25in	50mm	2.0in
SH-E90-63-50-BLK	63mm	2.5in	50mm	2.0in
SH-E90-70-50-BLK	70mm	2.75in	50mm	2.0in
SH-E90-76-50-BLK	76mm	3in	50mm	2.0in
SH-E90-83-50-BLK	83mm	3.25in	50mm	2.0in
SH-E90-89-50-BLK	89mm	3.5in	50mm	2.0in
SH-E90-95-50-BLK	95mm	3.75in	50mm	2.0in
SH-E90-102-50-BLK	102mm	4in	50mm	2.0in



Elbow 135° Degree (C)				
SH-E135-51-50-BLK	51mm	2in	50mm	2.0in
SH-E135-57-50-BLK	57mm	2.25in	50mm	2.0in
SH-E135-63-50-BLK	63mm	2.5in	50mm	2.0in
SH-E135-70-50-BLK	70mm	2.75in	50mm	2.0in
SH-E135-76-50-BLK	76mm	3in	50mm	2.0in
SH-E135-83-50-BLK	83mm	3.25in	50mm	2.0in
SH-E135-89-50-BLK	89mm	3.5in	50mm	2.0in

Elbow 45° / 90° / 135° cont.

Part Number	Inner Diameter (B)		Length (A)	
	metric	imperial	metric	imperial
SH-E180-57-50-BLK	57mm	2.25in	50mm	2.0in
SH-E180-63-50-BLK	63mm	2.5in	50mm	2.0in
SH-E180-76-50-BLK	76mm	3in	50mm	2.0in

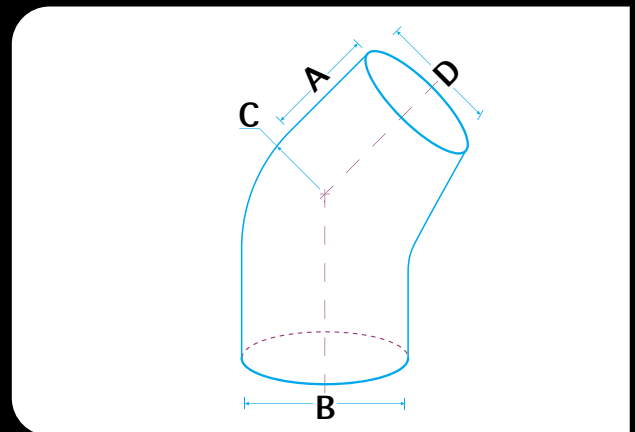


Reducer Elbow 45° / 90°

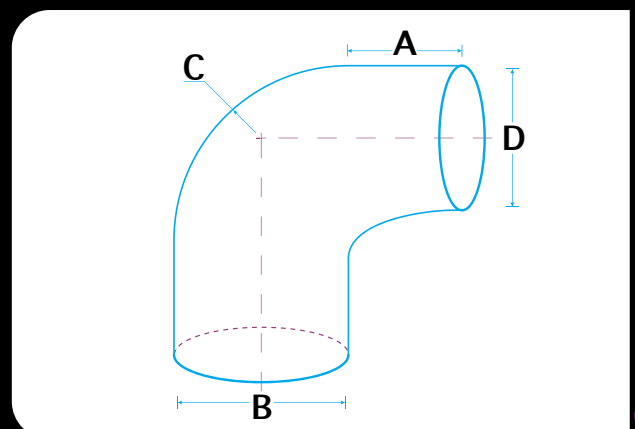


Material:	Silicone VMQ (Vinyl Methyl Quality)
Textile reinforcement:	3 or 4 plies of polyester net
Temperature range:	-60°C to 240°C
Standard wall thickness:	4.0mm - 5.0mm
Lengths:	50mm
Appearance	Plain outward and inner
Colour:	Black

Part Number	Inner Diameter (B) > (D)		Length (A)	
	metric	imperial	metric	imperial
SH-RE45-57-51-BLK	57mm > 51mm	2.25in > 2in	50mm	2.0in
SH-RE45-63-51-BLK	63mm > 51mm	2.5in > 2in	50mm	2.0in
SH-RE45-70-63-BLK	70mm > 63mm	2.75in > 2.5in	50mm	2.0in
SH-RE45-76-51-BLK	76mm > 51mm	3in > 2in	50mm	2.0in
SH-RE45-76-63-BLK	76mm > 63mm	3in > 2.5in	50mm	2.0in
SH-RE45-102-76-BLK	102mm > 76mm	4in > 3in	50mm	2.0in



Part Number	Inner Diameter (B) > (D)		Length (A)	
	metric	imperial	metric	imperial
SH-RE90-51-38-BLK	51mm > 38mm	2in > 1.5in	50mm	2.0in
SH-RE90-57-51-BLK	57mm > 51mm	2.25in > 2in	50mm	2.0in
SH-RE90-63-51-BLK	63mm > 51mm	2.5in > 2in	50mm	2.0in
SH-RE90-70-63-BLK	70mm > 63mm	2.75in > 2.5in	50mm	2.0in
SH-RE90-76-51-BLK	76mm > 51mm	3in > 2in	50mm	2.0in
SH-RE90-76-63-BLK	76mm > 63mm	3in > 2.5in	50mm	2.0in
SH-RE90-102-76-BLK	102mm > 76mm	4in > 3in	50mm	2.0in





Fuel/Oil 3 Ply Reinforced

Lined with Fluorine internally of a 1.1-1.2mm thickness

SH-FU-6-1000-BLK	6mm (1/4") ID Black x 1mt long
SH-FU-8-1000-BLK	8mm (5/16") ID Black x 1 mt long
SH-FU-10-1000-BLK	10mm (3/8") ID Black x 1 mt long
SH-FU-13-1000-BBLK	13mm (1/2") ID Black x 1 mt long
SH-FU-16-1000-BLK	16mm (5/8") ID Black x 1 mt long
SH-FU-19-1000-BLK	19mm (3/4") ID Black x 1 mt long

WARNING: Do Not Submerge. Not Suitable for E85 Fuel. Low Pressure 1BAR (14psi) Max"



Vacuum Silicone Hose

SH-VH-3-3000	3mm ID Black x 3 mt long
SH-VH-4-3000	4mm ID Black x 3 mt long
SH-VH-5-3000	5mm ID Black x 3 mt long
SH-VH-6-3000	6mm ID Black x 3mt long
SH-VH-8-3000	8mm ID Black x 3mt long

Water Hose 3 Ply Reinforced

SH-S-6-1000-BLK	6mm (1/4") ID Black x 1mt long
SH-S-8-1000-BLK	8mm (5/16") ID Black x 1 mt long
SH-S-10-1000-BLK	10mm (3/8") ID Black x 1 mt long
SH-S-13-1000-BBLK	13mm (1/2") ID Black x 1 mt long
SH-S-16-1000-BLK	16mm (5/8") ID Black x 1 mt long
SH-S-19-1000-BLK	19mm (3/4") ID Black x 1 mt long



T-Bolt Clamp

Stainless Steel 0.5" (12mm) Width

8611	2" - 2.3" (50-59mm) Clamp Range
8612	2.3" - 2.7" (60-69mm) Clamp Range
8613	2.7" - 3.1" (70-79mm) Clamp Range
8614	3.1" - 3.5" (80-89mm) Clamp Range
8615	3.5" - 3.9" (90-99mm) Clamp Range
8616	3.9" - 4.3" (100-109mm) Clamp Range



HD Clamps

Stainless Steel 0.5" (12mm) Width

8511	2.5"-2.8" (64-74mm) Clamp Range
8513	2.75"-3.1" (70-80mm) Clamp Range
8515	3"-3.4" (77-87mm) Clamp Range
8517	3.3"-3.5" (85-91mm) Clamp Range



Alloy Polished Pipes with bead

Straight Polished Pipes



69-424 Straight 2.5"(63mm)
OD x 4"(102mm) Length

8658 Straight 3"(76mm)
OD x 4"(102mm) Length

Straight Polished Pipes



69-420 Straight 2.5"(63mm)
OD x 6"(152mm) Length

8651 Straight 3"(76mm)
OD x 5"(152mm) Length

Straight Polished Pipes



69-425 Straight 2.5"(63mm)
OD x 12"(305mm) Length

8659 Straight 3"(76mm)
OD x 12"(305mm) Length

45° Polished Bends



69-421 45° Bend 2.5"(63mm)
OD x 6"(152mm) Length

8653 45° Bend 3"(76mm)
OD x 6"(152mm) Length

60° Polished Bends



69-422 60° Bend 2.5"(63mm)
OD x 7"(178mm) Length

8655 60° Bend 3"(76mm)
OD x 6"(152mm) Length

90° Polished Bends



69-423 90° Bend 2.5"(63mm)
OD x 9-1/2"(241mm) Length

8655 90° Bend 3"(76mm)
OD x 9-1/2"(241mm) Length



National Auto Parts Depot Pty Ltd
20 Production Drive, Campbellfield 3061
P: (03) 9357 6100 sales@naparts.com.au

www.naparts.com.au

**Note: Images used are not to scale*

SILCAT



9 323357 099086