

CONCORD



CE1W20B4K-A

50m HDMI Cate/6 Extender

4K Ultra High Definition

Box Contents:



1 x HDMI Receiver



1 x Transmitter



1 x Infrared Emitter



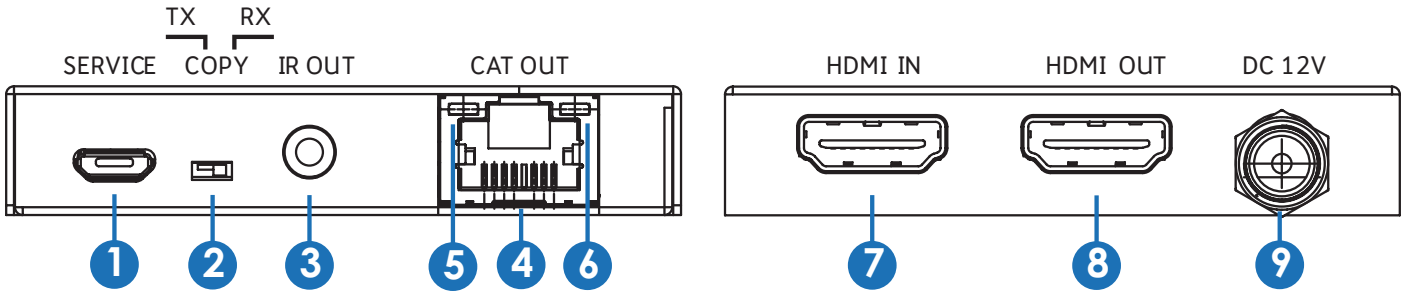
1 x Infrared Receiver



1 x Mains Power Adaptor

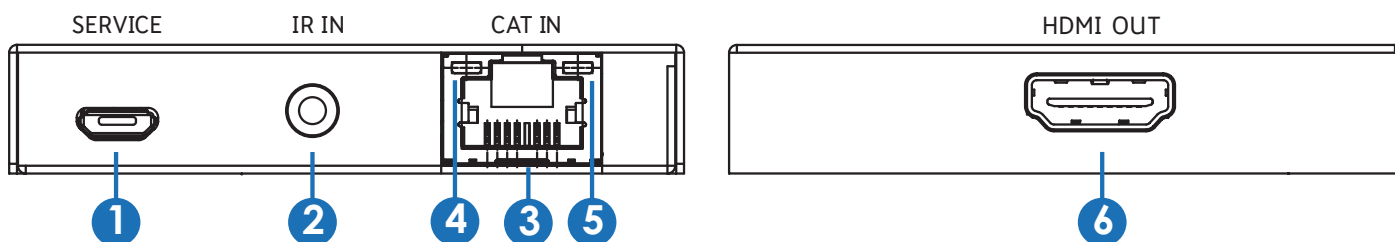
Product Diagram:

Transmitter:



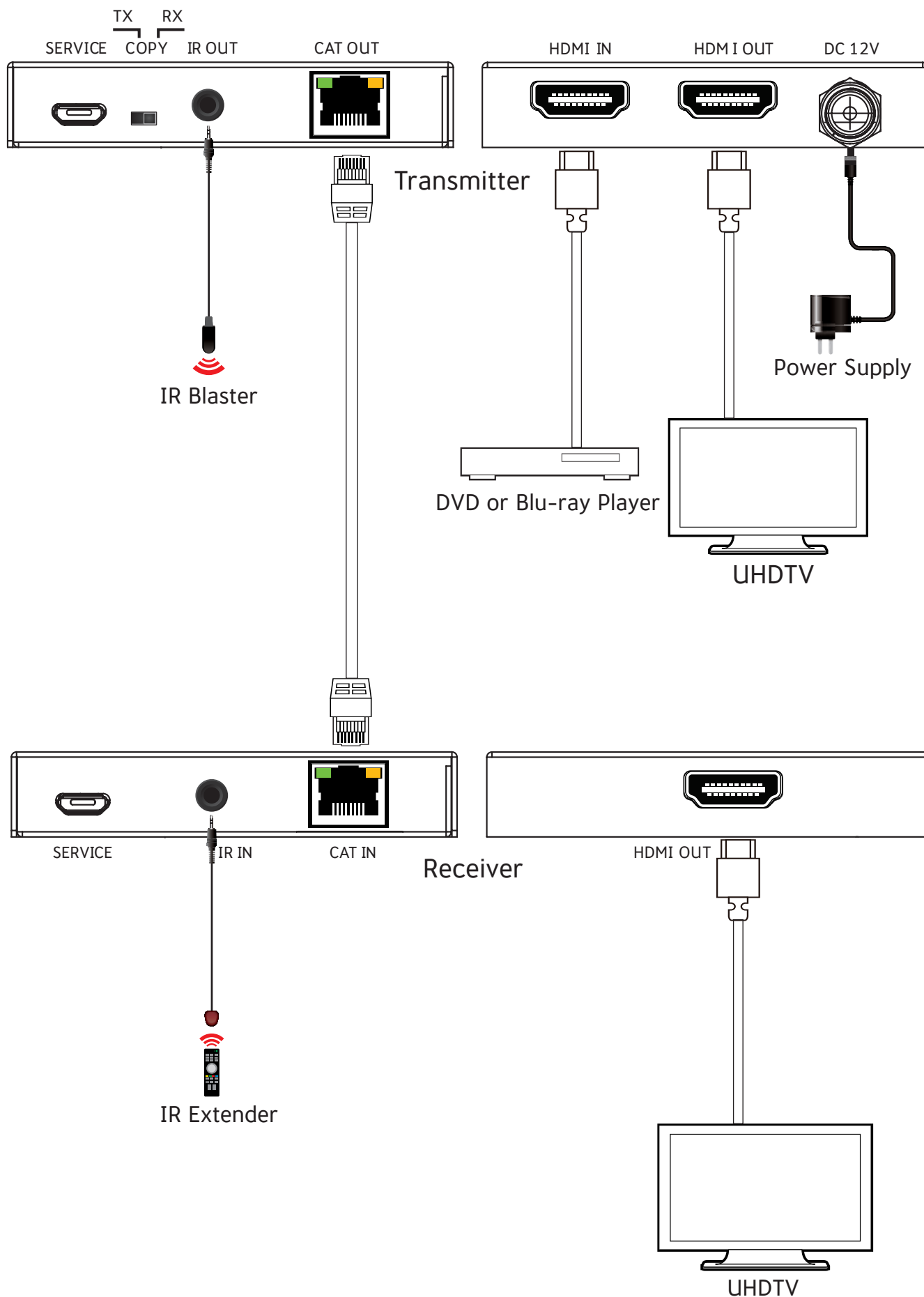
#	Feature:	Description:
1	Service USB Port	Firmware Upgrade Only (Not Required)
2	Extended Display Identification Data (EDID) Switch	TX: Copies the EDID setting of the HDMI pass-through output display to the source device. The source device will match the HDMI pass-through display to all outputs. RX: Copies the EDID setting of the HDMI output of the receiver to the source device. The HDMI will match on all outputs.
3	Infrared Output	Connect with the infrared Emitter
4	Ethernet Output	Connect to a Cat5e or Cat6 ethernet network cable
5	Power LED Indicator	Indicates when a device is connected to the HDMI source
6	Link LED Indicator	Indicates when a device is connected to the HDMI source
7	HDMI Input	Connect to the HDMI source device
8	HDMI Output	Connect to a TV or monitor
9	DC Power Socket	Connect to the 12VDC mains power adaptor

Receiver:



#	Feature:	Description:
1	Service USB Port	Firmware Upgrade Only (Not Required)
2	Infrared Input	Connect with the infrared Receiver
3	Ethernet Input	Connect to a Cat5e or Cat6 ethernet network cable
4	Power LED Indicator	Displays the power status
5	Link LED Indicator	Indicates when a device is connected to the HDMI source
6	HDMI Output	Connect to a TV or monitor

Connection Diagram:



Operation:

Transmitter:

1. Connect the DC plug of the mains power adaptor to the power socket of the transmitter. Plug in the mains power adaptor to a 240VAC wall socket.
2. Connect a HDMI cable (not included) from your source device such as Pay TV, DVD player or media player to the HDMI input of the transmitter.
3. Connect a HDMI cable (not included) from the HDMI output of the transmitter to your TV or Monitor's HDMI input. This will allow you to view your TV or monitor while extending the signal.
4. Connect a Cat5e or Cat6 ethernet network cable to the ethernet output of the transmitter.
5. Connect the Infrared (IR) emitter cable to the IR output socket located on the transmitter.
6. Peel off the 3M sticker located on the back of the infrared emitter and stick the emitter in front of the infrared port of your device such as Pay TV, DVD player or media player. The remote control of your device will still work even with the emitter placed over the top of the infrared port.

Please refer to your devices user manual if you're unsure of where the infrared port is located.

Receiver:

1. Connect opposite end of the Cat5e or Cat6 ethernet network cable to the ethernet input of the receiver.
2. Connect a HDMI cable (not included) from the HDMI output of the receiver to your TV or Monitor's HDMI input.
3. Connect the infrared (IR) receiver cable to the IR input socket located on the receiver.
4. Place the infrared receiver end in front of your TV or monitor so the infrared can be controlled.

Troubleshooting:

Problem	Solution
No Video Output	Adjust the EDID switch on the transmitter, switch it to the opposite position. The TX position will copy from the output of the HDMI pass through and the RX option will copy from the output of the receiver.
	Check to see your source device and monitors/TV's resolution and frequency matches the supported resolution of the HDMI extender.
	Check to see if your source device and TV's/monitors are all switched on.
	Ensure you have a Cat5e/Cat6 standard ethernet cable connector, crossover cables will not work.
	Check to see if the mains power adaptor is connected properly and switched on.
Image is flickering or unstable	Reconnect the HDMI cables on both the transmitter and receiver.
	Double check the Ethernet cable is working correctly, it is suggested to use a good quality Cat6 cable if you're having issues.
	Check to see if the Link LED and Power LED indicators are lit.
	Reconnect the HDMI cables on both the transmitter and receiver and make sure the HDMI cables are functioning correctly.
Will not change channels on the infrared remote	Reattach the infrared emitter over the infrared port of your source device. The position may not be directly in line with your infrared port of your device.
	This device supports an infrared frequency of 20-60Khz, your device may not be compatible within this range. Refer to the manufacturers user manual of your device to confirm the range.

Safety:

1. Do not open or repair the device without professional assistance to avoid electrical shock.
2. Do not expose this unit to water, moisture or any liquid.
3. Position the unit in a well ventilated area to prevent the unit from overheating.
4. Only use the supplied 12VDC, 1A power adaptor. If you use any third party power supplies, ensure the voltage is the same to prevent the unit from damage.

Features:

- 40m (Cat5e), 50m (Cat6) Transmission Range
- Up to 4K x 2K Video Resolution
- Power Over Cat5e/Cat6 Cable (PoC)
- HDMI Pass-Through
- Infrared Remote Control Extender

Specifications:

Transmission Range:	Up to 50m (Cat6) Up to 40m (Cat5e)
HDMI:	2.0b
HDCP:	2.2, 1.4
HDR:	10
Resolution:	4K (3840 x 2160) @ 60/50/30Hz 1080p (1920 x 1080) @ 50/60Hz 1080i (1920 x 1080) @ 50/60Hz 720p (1280 x 720) @ 50/60Hz 480p (640 x 480) @ 60Hz 480i (640 x 480) @ 60Hz
Video Bandwidth:	18Gbps
Audio:	LPCM 2/5.1/7.1CH, Dolby Digital, DTS 5.1, Dolby Digital+, Dolby TrueHD, DTS-HD Master Audio, Dolby Atmos, DTS:X
Colour Depth:	8-bit
Infrared Frequency:	20-60kHz
Power Supply:	12VDC, 1A
Dimensions:	102(D) x 70(W) x 14(H)mm

For Concord AV Solutions visit
www.concord.support