



## OPERATING METHOD

- 1.1 Connect a load (electrical equipment, etc.) to the power supply output, and pay attention to the polarity. Do not reverse the polarity.
- 1.2 Plug AC input power cord into a suitable AC power jack.
- 1.3 Place the power switch to "ON" position, the power indicator light, and the power has now turned on.
- 1.4 The load current should be less than the rated output current of the power supply, 80% of rated output current is recommended as the maximum current.

## NOTICE

- 2.1 Must use accurate and reliable connection line to connect to the output
- 2.2 Do not block the heat vents or put the power supply in a closed hot work environment. Adequate ventilation is important.
- 2.3 Do not expose the power supply to the rain or moisture.
- 2.4 If the power supply fails, let the professional maintenance staff inspect and repair. Do not open the case on your own. Internal high-voltage is dangerous!





# ***POWERTECH***



## **0-15VDC 0-40A Regulated Switchmode Laboratory Power Supply**

### **User Manual**





Switching power supply has many features, such as high efficiency, compact size, light weight, good reliability. In addition, this power supply also uses a low-ripple design. The ripple and noise is very close to a linear ripple.

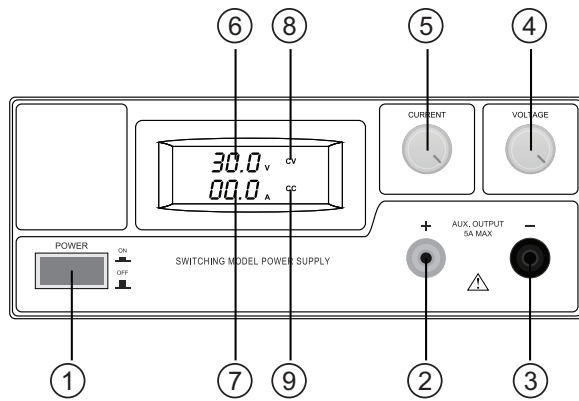
## MAIN TECHNICAL SPECIFICATIONS

Input:	220V-240V @ 50Hz
Fuse:	250V @ 6A
Variable Output Voltage:	0-15V
Variable Output Current Limiting:	0-40A
Ripple & Noise (Peak-Peak) Voltage:	100mV
Voltage Meter:	3 Digit LCD Display $\pm 0.2\%$ +3counts
Current Meter:	3 Digit LCD Display $\pm 0.2\%$ +3counts
Protections:	Overload & Over Temperature
Weight:	2.9kg
Dimensions:	336(W) x 87(H) x 214(D)mm

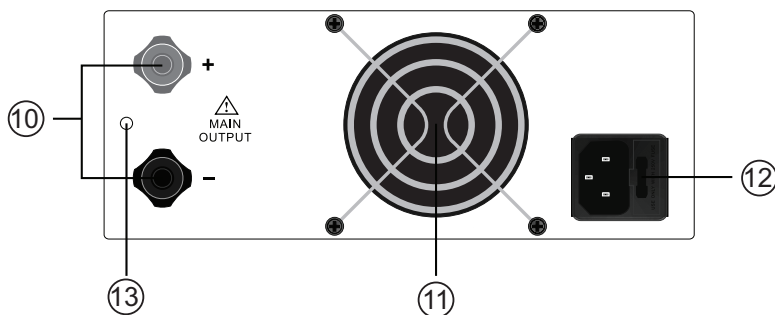




## OPERATING METHOD



1. Power Switch: "ON" position: turn on, "OFF" position: turn off
2. Positive Output
3. Negative Output
4. Voltage Adjustment Knob
5. Current Adjustment Knob
6. Voltage Indication
7. Current Indication
8. Regulated Voltage Indication
9. Current Regulator Indication



10. Output Terminal: 40A max; Red positive; black negative
11. Cooling Fan
12. Fuse
13. Grounding Terminal

