



CONNECT TO LIFE

www.mbeat.com.au

support@mbeat.com.au

[mbeat](https://www.facebook.com/mbeat)

[mbeat_australia](https://www.instagram.com/mbeat_australia)

[mbeataustralia](https://www.twitter.com/mbeataustralia)

For more FAQs and information, visit: <http://www.mbeat.com.au/support>

PRO-M

W E L C O M E G U I D E



MB-TR518K/W

The mbeat turntable offers creative and high quality turntable creations to help create personal living style. Our turntable series provide high sound quality with built-in bluetooth receiver which allows both digital music and traditional vinyl record, you can enjoy all types of music in different occasions.

The Pro-M stereo turntable system is for every vinyl lover. It combines traditional record player function with touch of modern wireless music streaming. It comes with a set of powerful and quality stereo speakers, plays 33 & 45 RPM vinyls with adjustable pitch control.

With built-in Bluetooth receiver module, it allows user to stream music through smartphone or tablet in a breeze.

Package Content

Stereo Turntable | 2*Speakers | User Manual



Specifications

DC Adapter: DC12V/1.5A

Platter Size: 280mm

Speed: 33/45 RPM

BT Version: 4.2

BT Receive Distance: Within 20M Radius

Rear Interface: DC In/Speaker/Audio Out/Auto Stop

Speaker Maximum Output Power: 30W

Speaker power (RMS): 4 Ω 15W

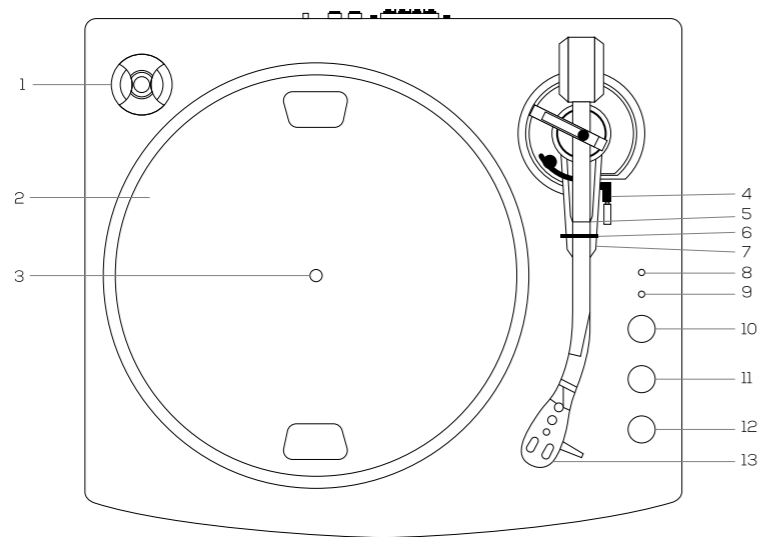
Speaker Size: 11.5×18.2×15cm / 4.5×7.2×5.9in (*2)

Record Player Size: 41.3×36.5×10cm / 16.3×14.4×3.9in

Whole Product Weight: 3.7kg / 130.5oz

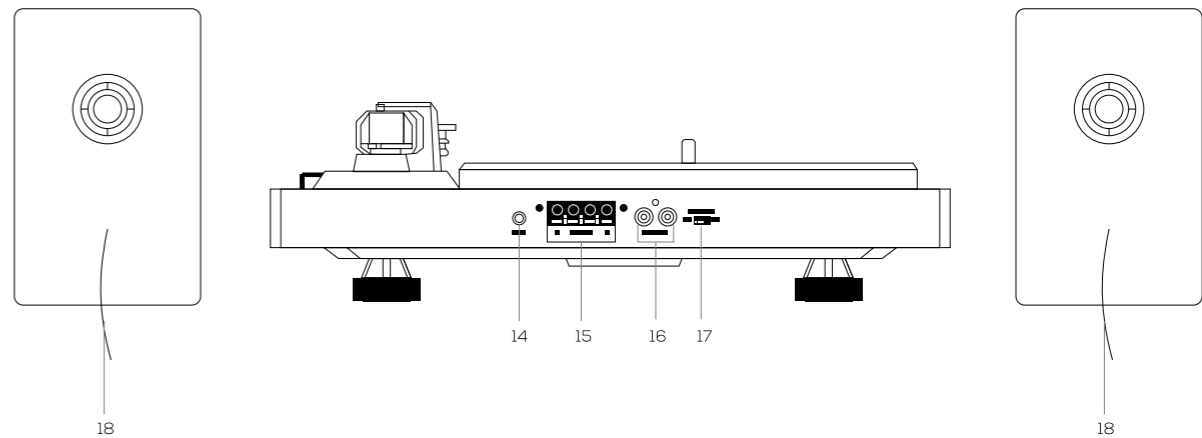
Package Size: 45.6×39.9×25.6cm / 18×15.7×10.1in

Package Weight: 5.5kg / 194oz



TOP VIEW

- | | | | | | |
|---|--------------------|---|---------------------|----|--------------------|
| 1 | 45 RPM Adapter | 5 | Tonearm | 9 | Power Indicator |
| 2 | Turntable Platter | 6 | Hold Down Clip | 10 | Function Knob |
| 3 | Turntable Spindle | 7 | Tonearm Rest | 11 | Pitch Control Knob |
| 4 | Tonearm Lift Lever | 8 | Bluetooth Indicator | 12 | Volume Knob |
| | | | | 13 | Cartridge |



REAR VIEW

- | | |
|----|--------------------------|
| 14 | Power Jack |
| 15 | Speaker Output Terminals |
| 16 | RCA Line Out Jacks |
| 17 | Auto Stop Switch |
| 18 | Speaker Wire |

SET UP

- 1 Place the unit on a flat and level surface. The selected location should be stable and free from vibration.
- 2 Fit the drive belt around the sub-edge under the platter and the spindle of the motor.
- 3 Remove the tie-wrap that is holding the Tonearm (5).
- 4 Place the slip mat on top of the Turntable Platter (2).
- 5 Connect the Speaker Wire (18) to the turntable's Speaker Output Terminals (15) correspondingly. Make sure the left and right channels are connected correctly.
- 6 Connect DC adapter to the Power Jack (14) of the unit.

STEREO SYSTEM CONNECTION

- 1 The RCA Line Out Jacks (16) output analog line-level signals and could be connected directly with a pair of active/powered speakers or the appropriate input of your stereo system.
- 2 The Red plug connects with the Right channel and the White plug connects with the Left channel.

*NOTE: The RCA Jacks are not designed to be connected directly to the passive/unpowered speakers. If connected to the passive speakers, the volume level will be very low.

TURNTABLE OPERATION

- 1 Turn the Volume Knob (12) to turn on the unit.
- 2 Rotate the Function Knob (10) to either 33 1/3 or 45 RPM mode to select the turntable speed accordingly. Use the 45 RPM Adapter (1) if necessary.
- 3 Place the record on the Turntable Platter (2).
- 4 Remove the stylus protector from the Cartridge (13).
- 5 Lift up the Tonearm (5) and move it over the record where play is desired to begin. Gently put down the Tonearm (5) and begin the playback.
- 6 When the record is finished playing, gently lift up the Tonearm (5) and move it back to the Tonearm (7). To suspend the playback, repeat the same steps.

PLATTER AUTO STOP

If the Auto Stop Switch (17) is set to ON position the Platter (2) will stop spinning automatically when the record plays to the end. In some rare occasion, if the turntable stops playing before the end of the record, set the switch to OFF position. The turntable should overcome this issue.

PITCH CONTROL

The turntable speed can be increased or decreased by approximately 10% by rotating the Pitch Control Knob (11). To increase the speed, turn the Pitch Control Knob (11) clockwise. To decrease the speed, turn the knob counter-clockwise.



BT OPERATION (RECEIVING)

- 1 Turn the Function Knob (10) to Bluetooth mode, the Bluetooth Indicator (8) will start flashing blue. Turn on the bluetooth feature of your audio device, search for 'PRO-M' and pair.
- 2 Once your device is successfully paired with the unit, you will hear a short confirmation sound from the unit.
- 3 Play and stream music from your device to the unit.

*NOTE: Bluetooth version 4.2

MAINTENANCE & CLEANING

- 1 Do not touch the stylus tip with your fingers. Avoid bumping the stylus on the turntable mat or a record's edge.
- 2 Clean the stylus frequently with a soft brush with a back-to-front motion only.
- 3 Clean the records to get rid of dust or grease with a record cleaning brush and record cleaning solution.
- 4 Clean the turntable cabinet with a slightly damped microfiber cloth.

*NOTE: Do not use other cleanser that contains alcohol, benzene or any other harsh chemicals, which might damage the paint and finish of the turntable.

TROUBLE SHOOTING

The platter does not turn although the unit is switched on:

- The unit is not connected to the main power supply.
- No power at the outlet.
- Drive belt is not installed or has slipped off.
- Turntable is under BT mode.
- Turntable is spinning, but there is no sound, or sound not loud enough.
- Stylus protector is still on.

No signal through one or other channel or both channels:

- Speakers are muted.
- No connection th the speakers.
- Speaker wire leads are not connected to the terminals properly.

Strong hum on phone input:

- Turntable too close to speakers.

Distorted of inconsistent sound from one or both channels:

- Needle or cantilever damaged.
- Drive belt overstretched or dirty.
- Platter bearing without oil, dirty or damaged.
- Dust on stylus.

*TIPS: The turntable should be positioned on a low-resonance surface such as wood or multiple layer play board avoid structural vibrations disturbing playback.

