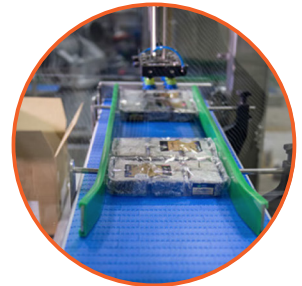




COMPACT ROBOT PACKER



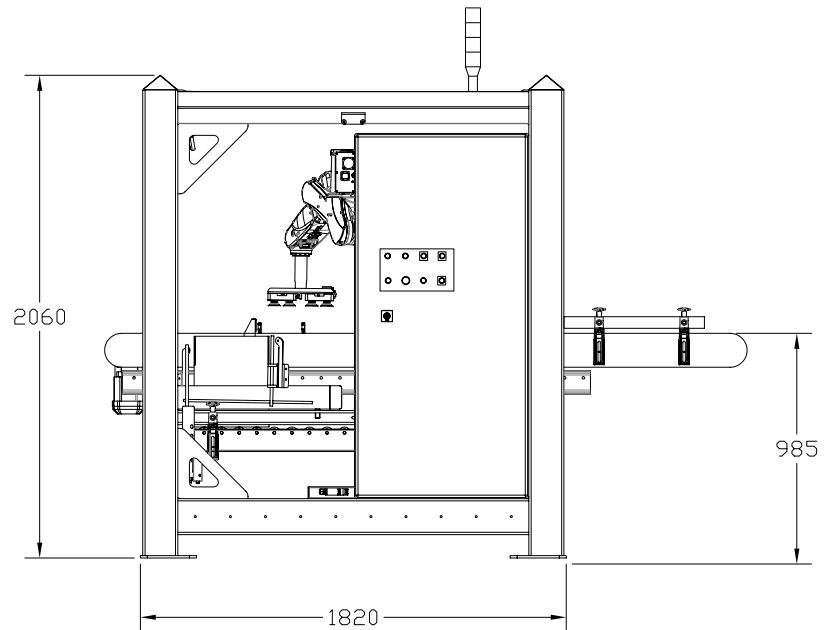
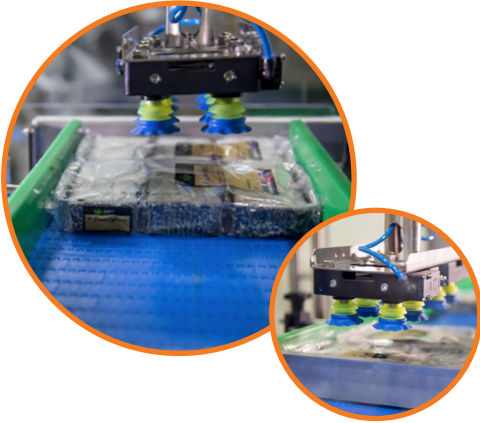
- Single robot packer
- Unique in its simplicity
- Easily adapted to your requirements
- Simple to operate
- Small footprint
- Flexible design
- Stainless steel construction
- Local support

FOODMACH

Automation | Robotics | Integration | Turnkey Projects

SUPPORTING YOUR WORKFORCE

Machine Specifications:



Foundation min	150mm concrete
Footprint cell frame (W xL)	1800mm W x 1800mm L (built in case erector optional + 1000mm)
Compressed air	5.5bar, min. DN 15 clean air without oil
Electrical power	Single phase, 240V, 20 Amp, 50 Hz
Payload Gripper	Up to 7kg
Max. capacity gripper picks per minute	15-20 single picks, increased by multiple picks (subject to various conditions with products and cases)
Max. capacity cases	20 boxes per min
Box dimensions	Max. ratings 350mm W x 650mm L x 650mm H (closed) Min. ratings 140mm W x 230mm L x 120mm H (closed)
Classification (IP wash down)	1P54 (std)
Frame steel	Stainless steel AISI 304
Safety class	CAT 3, PLC



sales@foodmach.com.au | www.foodmach.com.au

CALL 1800 FOODMACH

FOODMACH

Automation | Robotics | Integration | Turnkey Projects