

Protractor

S239 Smart

DESCRIPTION

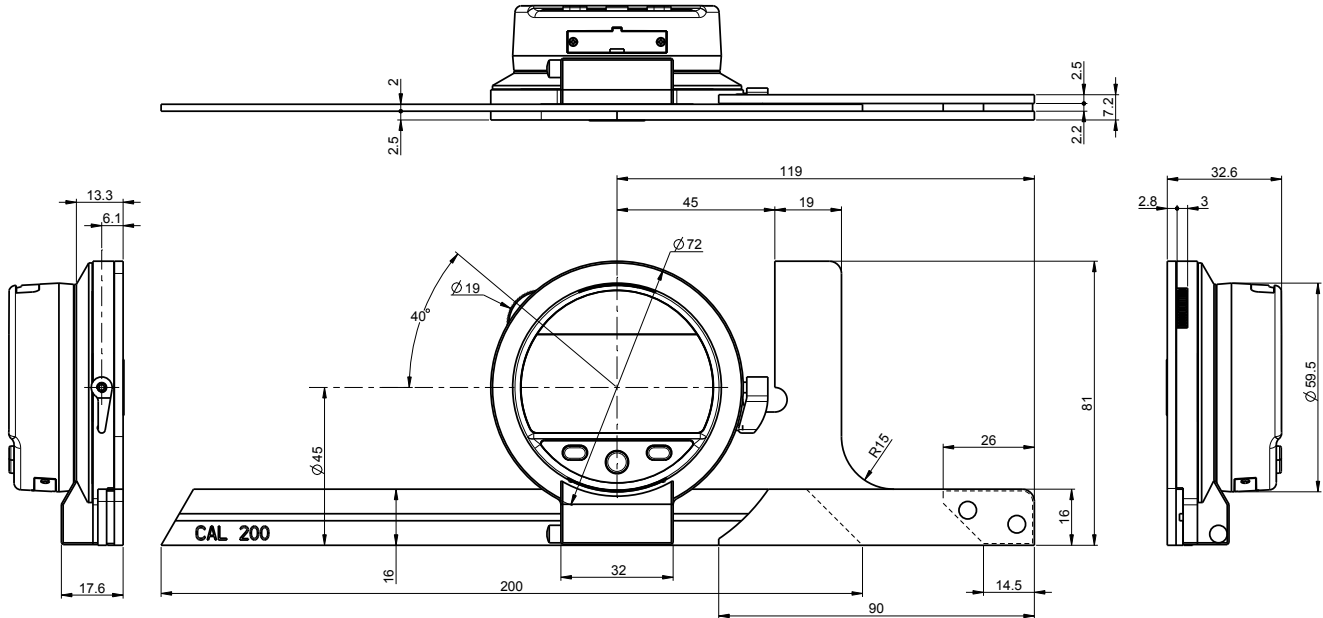
- **Integrated Bluetooth® Wireless technology, Power & Proximity**
- Measuring range 1x360°, 2x180°, 4x90°
- Mechanical parts in stainless steel



Protractor

S239 Smart

DIMENSIONAL DRAWING



TECHNICAL SPECIFICATIONS

	820.1706
Measuring range	1x360°, 2x180°, 4x90°
Accuracy	4 minutes of arc / 0.06° / 0.0012 rad
Resolution	0.01° / 1 minute of arc (0°01') / 0.0001 rad
Repeatability	0.01°
Max. rotation speed	1080° / sec
Protection rating according to IEC 529	IP54
Output data	Bluetooth® wireless technology* / USB / RS232
Functions	Unit (<i>dEG</i> , <i>rAd</i> or <i>d-R</i>), reference, Preset, Measurement direction, mode MIN/MAX/ DELTA, tolerance display, switch off, keypad lock

¹⁾ see cables chapter

*** Up to 8 instruments connected per dongle #981.7100**
 More informations on How to use Bluetooth® leaflet SYL_1401_EN_BT

BASIC INSTRUMENT

- Instrument according to technical specifications
- Wooden box ²⁾
- Scale 200 mm (820.2420)
- Lithium battery CR2032 included
- Instruction manual

²⁾ Fumigated, compatible ISPM 15 and NIMP 15