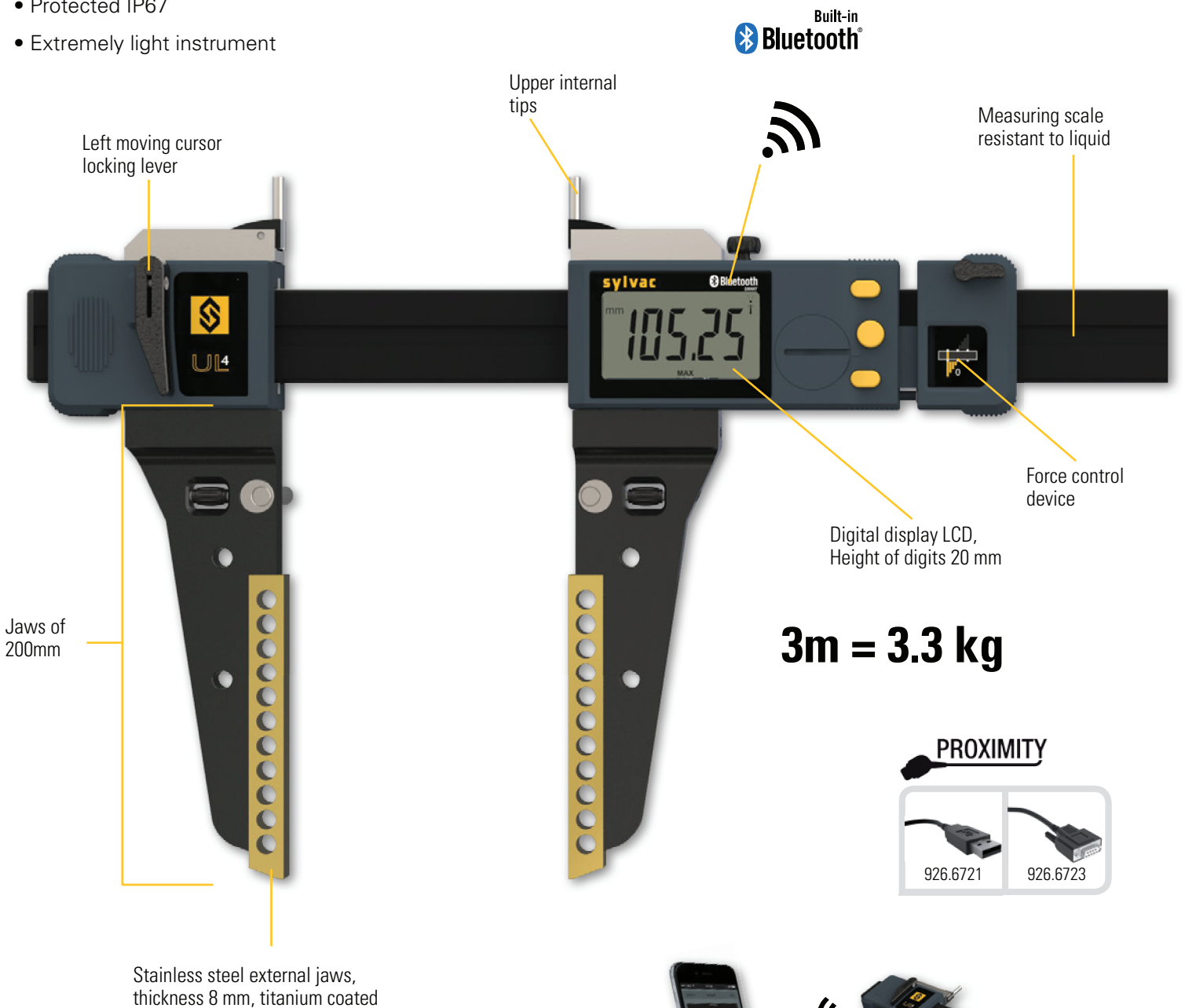


# Ultra light caliper

# UL4

## DESCRIPTION

- Ultra light caliper for external and internal measurements
- **Integrated Bluetooth® technology**
- New Series with extra large display
- Aluminium beam reinforced by four stainless steel rods
- Long jaws 200 mm coated with titanium
- New carbide upper internal tips
- Measuring force applied control
- Protected IP67
- Extremely light instrument



**3m = 3.3 kg**

**IP67**

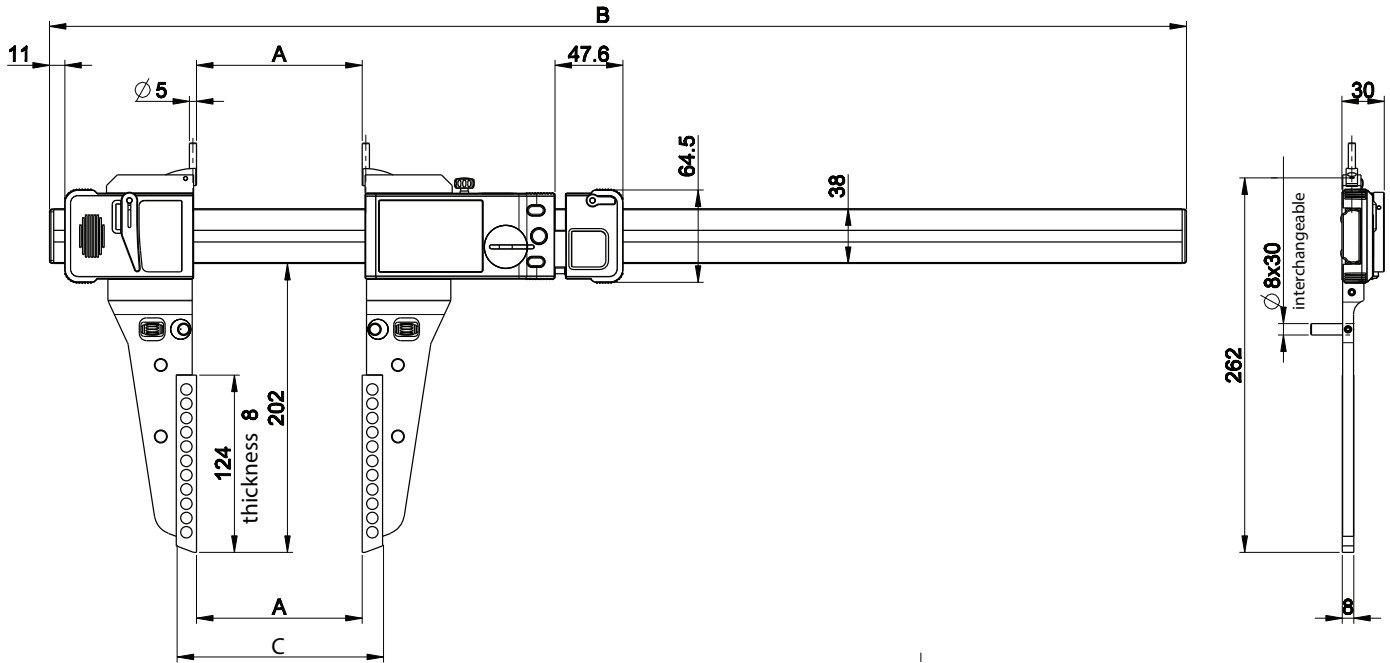
**WATER RESISTANT**

**SWISS MADE**

# Ultra light caliper

# UL4

## DIMENSIONAL DRAWING



## TECHNICAL SPECIFICATIONS

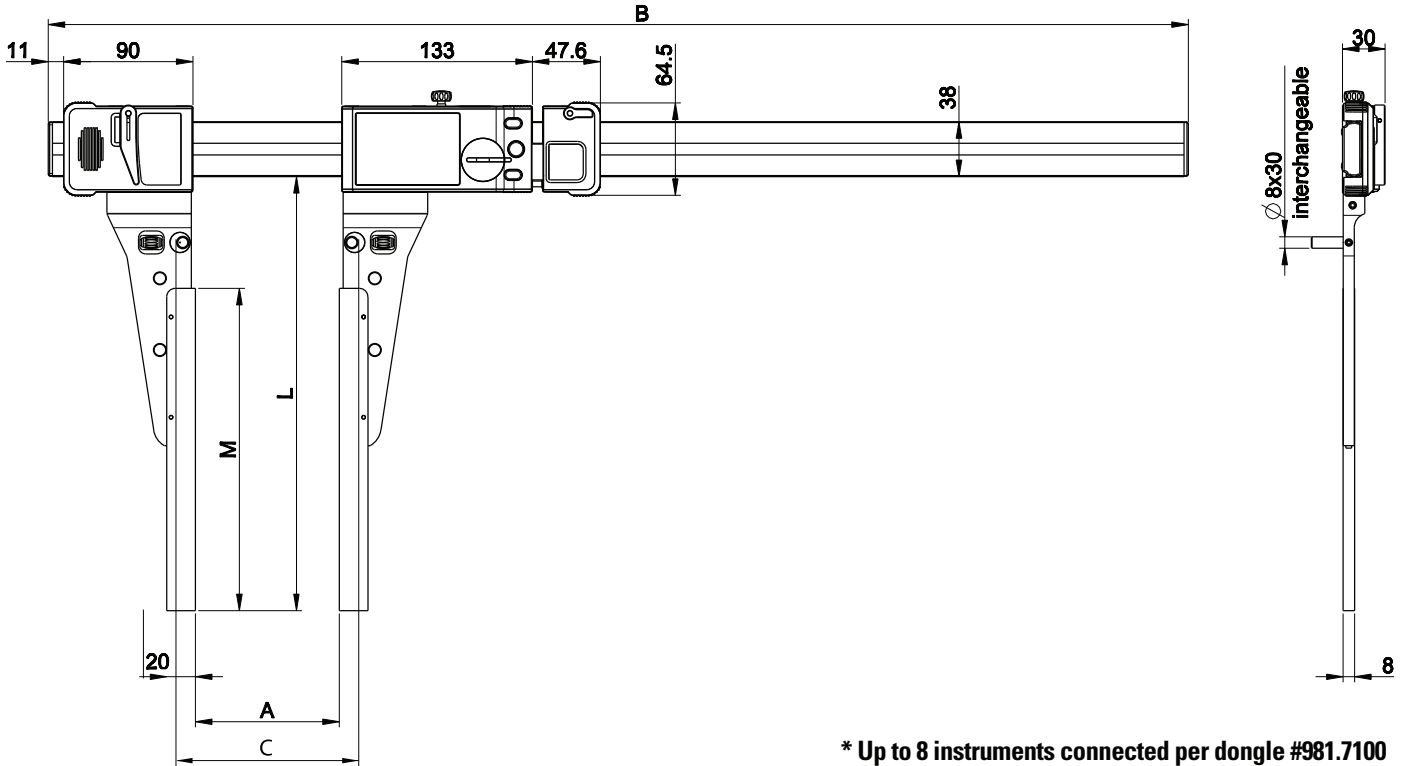
		811.1404	811.1406	811.1410	811.1415	811.1420	811.1425	811.1430
Measuring range	mm	400	600	1000	1500	2000	2500	3000
Max. Error	µm	30	40	50	90	120	150	200
Repeatability	µm	20			30			
Resolution	mm	0.01						
A	mm	0-478	0-683	0-1093	0-1608	0-2123	0-2638	0-3153
C	mm	27-505	27-710	27-1110	27-1635	27-2150	27-2665	27-3180
B	mm	796	1001	1411	1926	2441	2956	3471
Measuring Force	N	7.5 - 11.5 (±20%)						
Connections		Bluetooth® wireless technology* / Proxi.-RS232 , -USB						
IP67 Protection		●						
Preset max.		±9999.99 mm / ±399.9995 IN						
Weight	kg	1.5	1.6	1.9	2.3	2.6	2.9	3.3
Setting by PC		●						
2 references		●						
Min/Max function		●						
Tolerance limit indicators		●						

\* Up to 8 instruments connected per dongle #981.7100  
 More informations on How to use Bluetooth® leaflet SYL\_1401\_EN\_BT

# Ultra light caliper

# UL4

A SPECIAL EXECUTIONS | SPECIAL JAWS TYPE A



\* Up to 8 instruments connected per dongle #981.7100  
More informations on How to use Bluetooth® leaflet SYL\_1401\_EN\_BT

## TECHNICAL SPECIFICATIONS

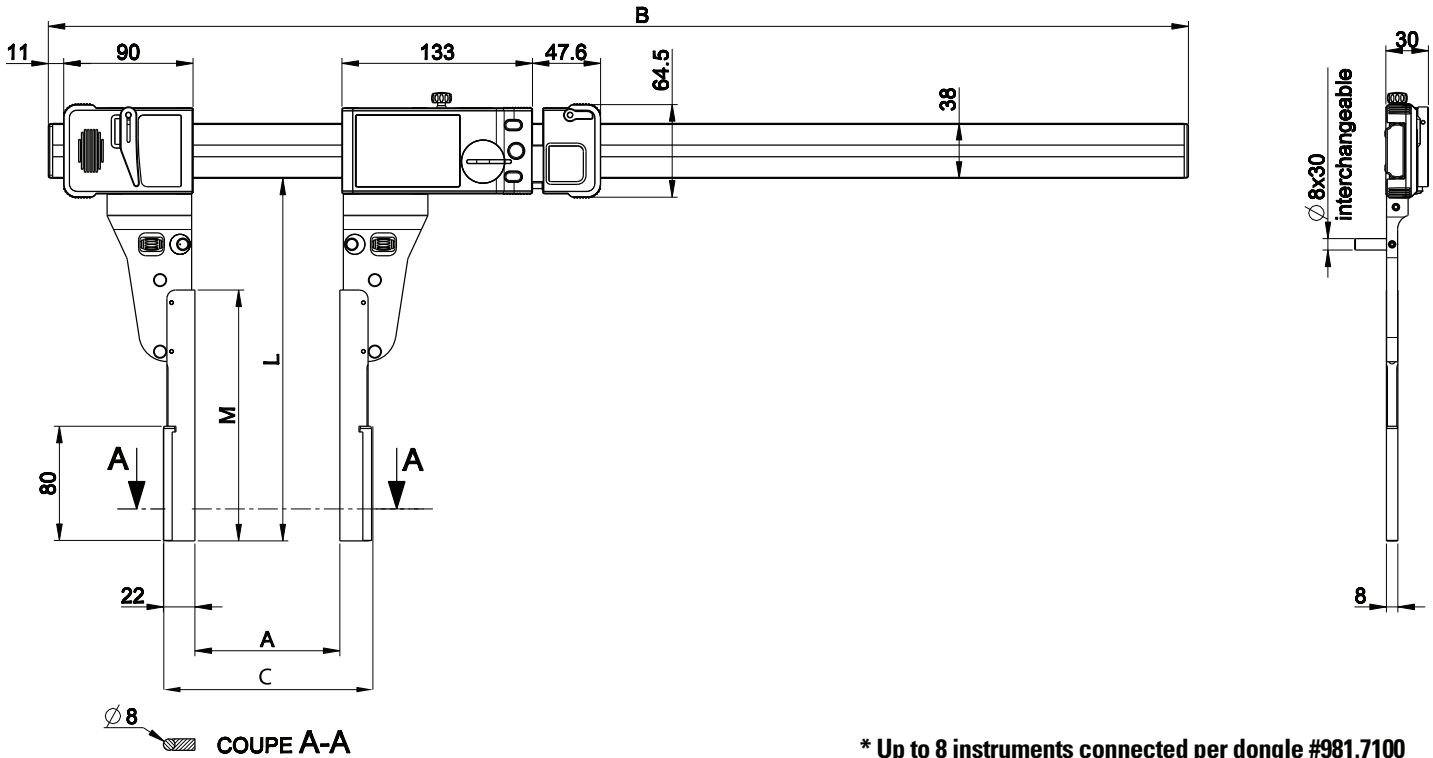
		811.2316.99	811.2317.99
<b>Special jaws (pair)</b>		Length L to specify with order (max 400 mm)	
L	mm	≤ 300	≤ 400
M	mm	L - 75	

		UL 400	UL 600	UL 1000	UL 1500	UL 2000	UL 2500	UL 3000
<b>UL specification</b>		<b>Max. error. [µm] / Repeatability [µm]</b>						
With Jaws 811.2316.99		40/20	50/20	70/20	130/30	180/40	220/40	320/40
With Jaws 811.2317.99		70/40	80/40	120/40	200/50	300/60	400/70	500/80
Measuring range	mm	400	600	1000	1500	2000	2500	3000
A	mm	0-478	0-683	0-1093	0-1608	0-2123	0-2638	0-3153
C	mm	27-505	27-710	27-1110	27-1635	27-2150	27-2665	27-3180
B	mm	796	1001	1411	1926	2441	2956	3471
Resolution	mm	0.01						

# Ultra light caliper

# UL4

SPECIAL EXECUTIONS | SPECIAL JAWS TYPE C



\* Up to 8 instruments connected per dongle #981.7100  
More informations on How to use Bluetooth® leaflet SYL\_1401\_EN\_BT

## TECHNICAL SPECIFICATIONS

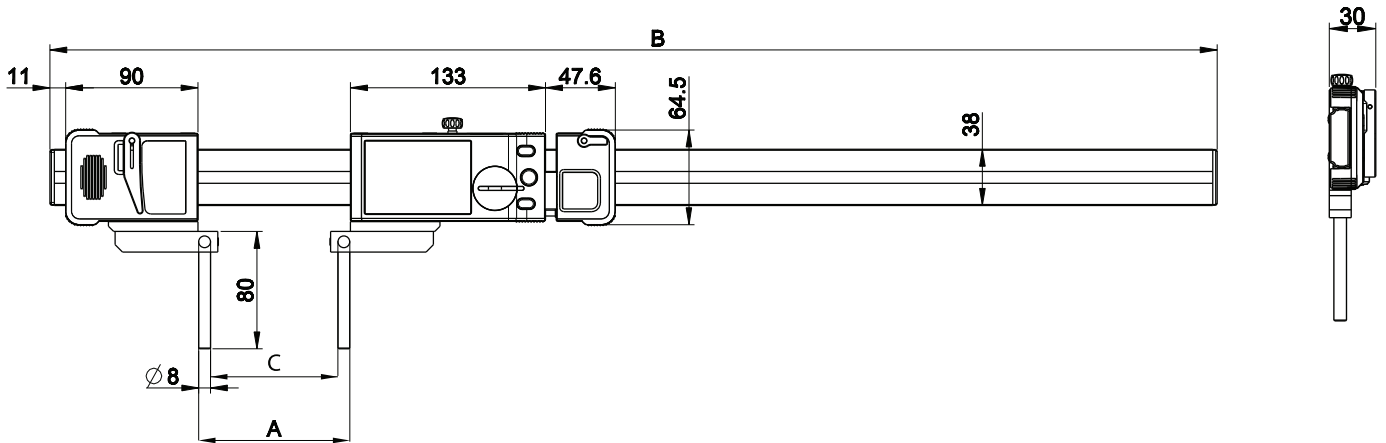
		<b>811.2319.99</b>
<b>Special jaws (pair)</b>		Lenght L to specify with order (max 300 mm)
L max	mm	300
M	mm	L - 75

		UL 400	UL 600	UL 1000	UL 1500	UL 2000	UL 2500	UL 3000
UL specification		Max. error. [µm] / Repeatability [µm]						
With Jaws ≤ 200	mm	40/20	50/20	70/30	120/30	170/30	210/30	300/40
With Jaws ≤ 300	mm	50/30	60/30	90/30	150/30	200/40	300/40	400/50
Measuring range	mm	400	600	1000	1500	2000	2500	3000
A	mm	0-478	0-683	0-1093	0-1608	0-2123	0-2638	0-3153
C	mm	44-522	44-727	44-1137	44-1652	44-2167	44-2682	44-3197
B	mm	796	1001	1411	1926	2441	2956	3471
Resolution	mm	0.01						

# Ultra light caliper

# UL H4

## A DIMENSIONAL DRAWING



## TECHNICAL SPECIFICATIONS

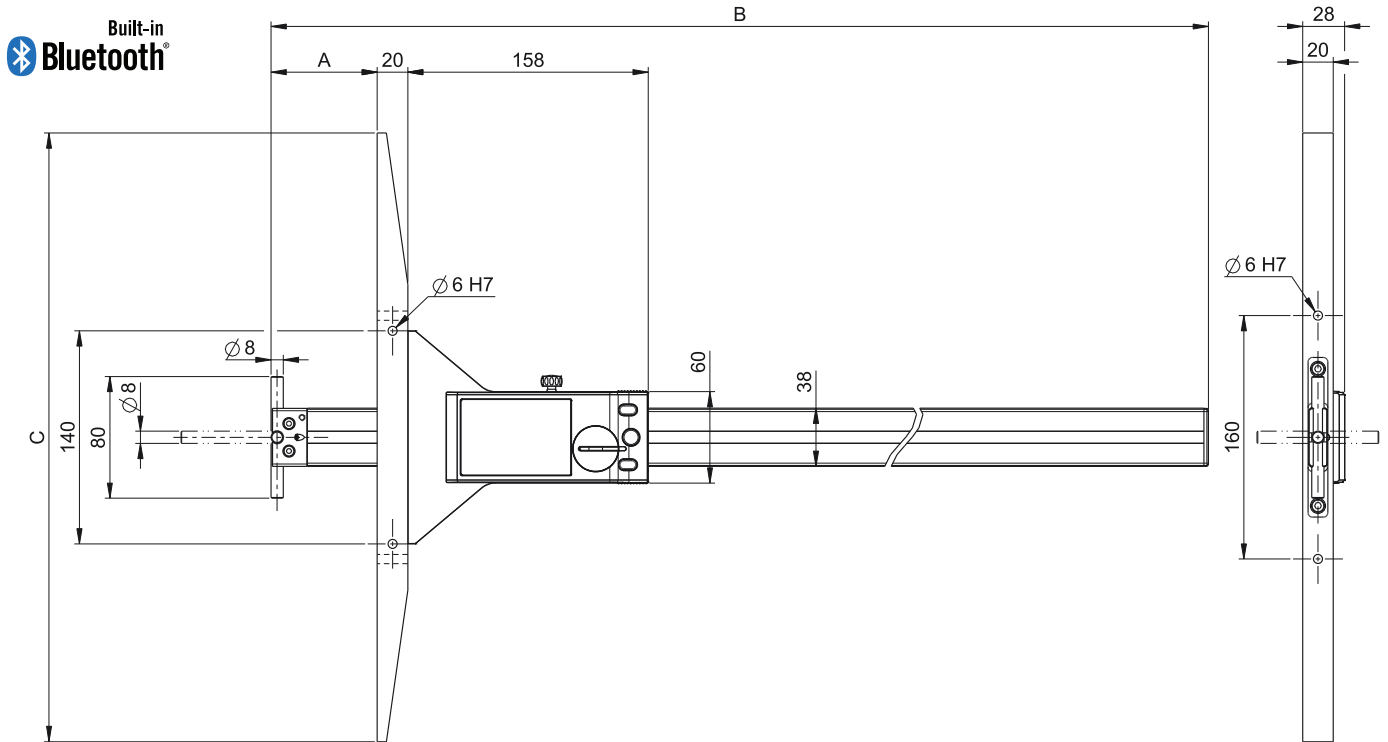
		811.8040	811.8060	811.8100	811.8150	811.8200	811.8250	811.8300
Measuring range	mm	400	600	1000	1500	2000	2500	3000
Max. Error	µm	30	40	50	90	120	150	200
Repeatability	µm	20			30			
Resolution	mm	0.01						
A	mm	26-480	26-685	26-1095	26-1610	26-2125	26-2640	26-3155
C	mm	10-464	10-669	10-1079	10-1594	10-2109	10-2624	10-3139
B	mm	796	1001	1411	1926	2441	2956	3471
Measuring Force	N	7.5 - 11.5 (±20%)						
Connections		Bluetooth® wireless technology* / Proxi.-RS232 , -USB						
IP67 Protection		●						
Preset max.		±9999.99 mm / ±399.9995 IN						
Weight	kg	1.1	1.2	1.5	1.9	2.2	2.5	2.9
Setting by PC		●						
2 references		●						
Min/Max function		●						
Tolerance limit indicators		●						

\* Up to 8 instruments connected per dongle #981.7100  
More informations on How to use Bluetooth® leaflet SYL\_1401\_EN\_BT

# Ultra light depth gauge

# UL V4

## DIMENSIONAL DRAWING



## TECHNICAL SPECIFICATIONS

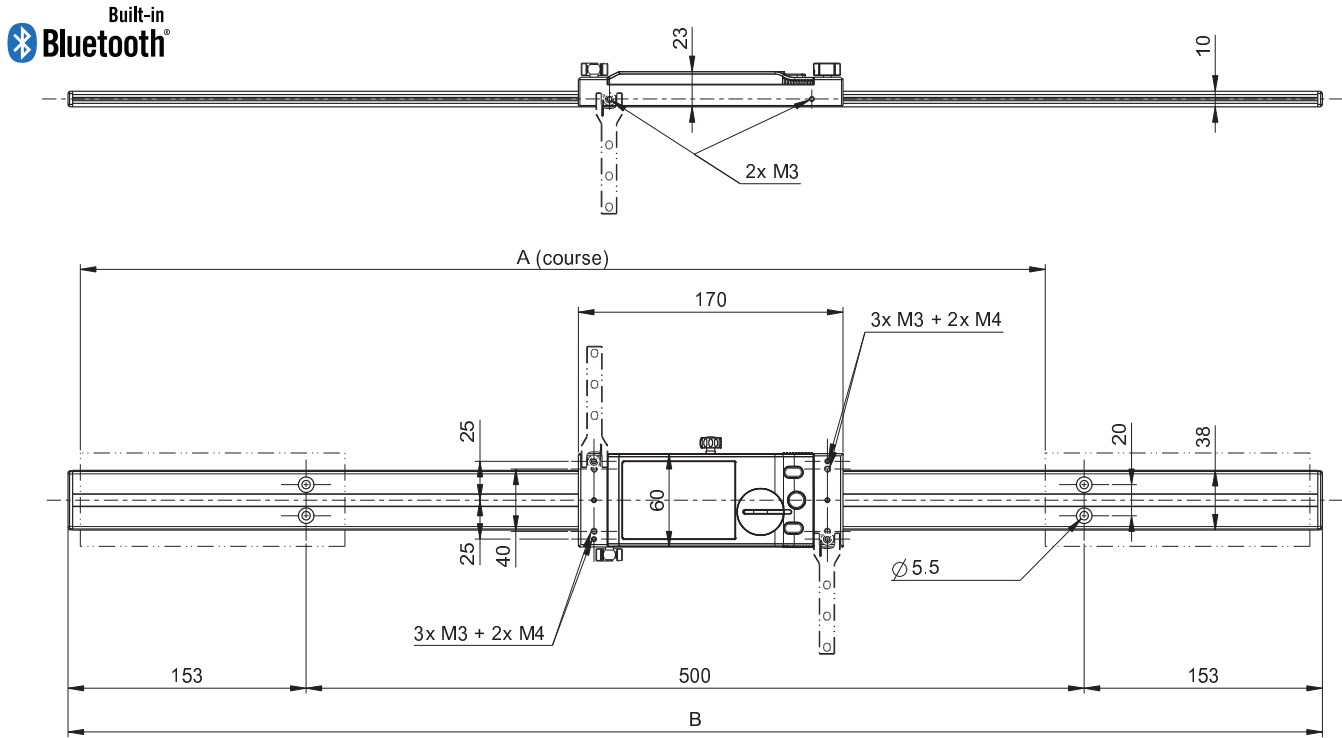
		811.6100	811.6150
Measuring range	mm	1000	1500
Max.Error	µm	100	130
Repeatability	µm	20	
Resolution	mm	0.01	
A	mm	0 - 1030	0 - 1545
C	mm	400	600
B	mm	1242	1757
Connections		Bluetooth® wireless technology* / Proxi.-RS232 , -USB	
IP67 Protection		●	
Preset max.		±9999.99 mm / ±399.9995 IN	
Weight	kg	2.2	3.16
Setting by PC		●	
2 references		●	
Min/Max function		●	
Tolerance limit indicators		●	

\* Up to 8 instruments connected per dongle #981.7100  
 More informations on How to use Bluetooth® leaflet SYL\_1401\_EN\_BT

# Ultra light digital scale

# UL D4

## A DIMENSIONAL DRAWING



## TECHNICAL SPECIFICATIONS

		814.1510	814.1515	814.1520	814.1525	814.1530
Measuring range	mm	1000	1500	2000	2500	3000
Max. Error	µm	60	90	120	150	200
Repeatability	µm	20				
Resolution	mm	0.01				
A	mm	0 - 1120	0 - 1620	0 - 2120	0 - 2620	0 - 3120
B	mm	1306	1806	2306	2806	3306
Number range of raws		3	4	5	6	7
Connections		Bluetooth® wireless technology* / Proxi.-RS232 , -USB				
IP67 Protection		●				
Preset max.		±9999.99 mm / ±399.9995 IN				
Weight	kg	1.2	1.5	1.8	2.2	2.5
Setting by PC		●				
2 references		●				
Min/Max function		●				
Tolerance limit indicators		●				

\* Up to 8 instruments connected per dongle #981.7100  
More informations on How to use Bluetooth® leaflet SYL\_1401\_EN\_BT

# Ultra light caliper

# UL4

## BASIC INSTRUMENT

A



### UL4 Standard

- Instrument according to technical specifications
- Lithium battery CR2477 included
- Calibration certificate for UL up to 3000mm
- Upper internal tips (811.2323 - 2pcs)
- Universal base 811.2301
- Instruction manual



### UL4 Special Jaws Type A

- Instrument according to technical specifications
- Lithium battery CR2477 included
- Special long jaws Type A (811.2316.99 or 811.2317.99)
- Length of jaws to specify when order (max. 400mm)
- Instruction manual



### UL4 Special Jaws Type C

- Instrument according to technical specifications
- Lithium battery CR2477 included
- Special long jaws Type A (811.2319.99)
- Length of jaws to specify when order (max. 300mm)
- Instruction manual

# Ultra light caliper

## A BASIC INSTRUMENT



### ULH4

- Instrument according to technical specifications
- Lithium battery CR2477 included
- Calibration certificate for UL up to 3000mm
- Universal base 811.2301
- Probe holder 811.2302
- Long cylindrical  $\varnothing 8 \times 80$ mm (811.2324)
- Instruction manual



### ULV4

- Instrument according to technical specifications
- Lithium battery CR2477 included
- Long cylindrical  $\varnothing 8 \times 80$ mm (811.2324)
- Bridge 400mm or 600mm
- Instruction manual



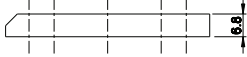
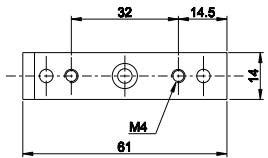
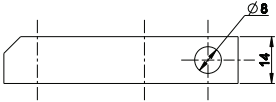
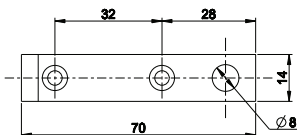
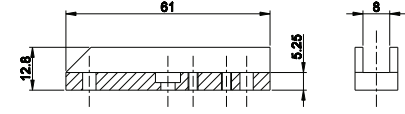
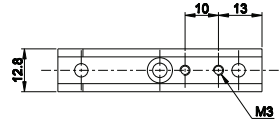
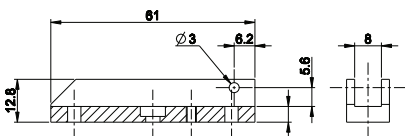
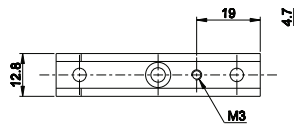
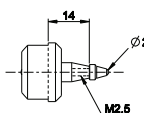
### ULD4

- Instrument according to technical specifications
- Lithium battery CR2477 included
- Driving shaft
- Instruction manual

# Ultra light caliper

## ACCESSORIES

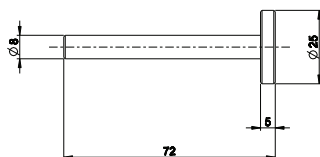
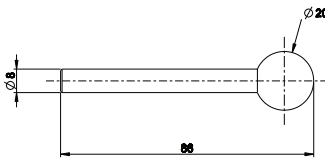
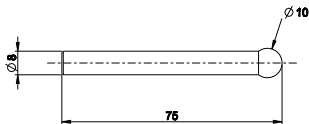
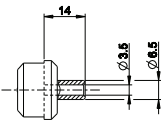
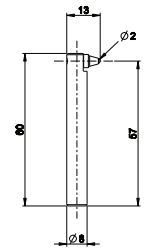
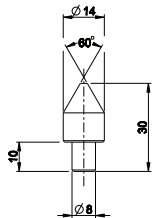
A

		UL4	UL H4	ULV4	UL D4
 	<b>811.2301</b> Universal base (2 pieces)	●	●		
 	<b>811.2302</b> Ø8 Probe holder (2 pieces)	●	●		
    	<b>811.2303</b> Accessories holder (2 different pieces)	●	●		
<b>811.2305</b> Support with int. thread M 2.5 for measuring anvils, (2 pieces)	●				

See also cables chapter

# Ultra light caliper

## ACCESSORIES



		UL4	UL H4	ULV4	UL D4
<b>811.2307</b>	Inserts in hardened steel, cone 60° for bore clearance measurement > 10 mm, (2 pieces)	●	●		
<b>811.2309</b>	Holder for dial gauge contact points for internal groove measurement, (2 pieces)	●	●		
<b>811.2304</b>	Thread anvils holders for thread measurement, (2 pieces)	●			
<b>811.2310</b>	Probe Ø10mm (2 pieces)	●	●		
<b>811.2311</b>	Probe Ø20mm (2 pieces)	●	●		
<b>811.2312</b>	Probe Ø25x5mm (2 pieces)	●	●		
<b>811.6306</b>	Wooden box for UL4 400 and 600mm	●	●		
<b>811.6310</b>	Wooden box for UL4 1000mm	●	●		
<b>811.6315</b>	Wooden box for UL4 1500mm	●	●		

See also cables chapter

# Ultra light caliper

## ACCESSORIES

A

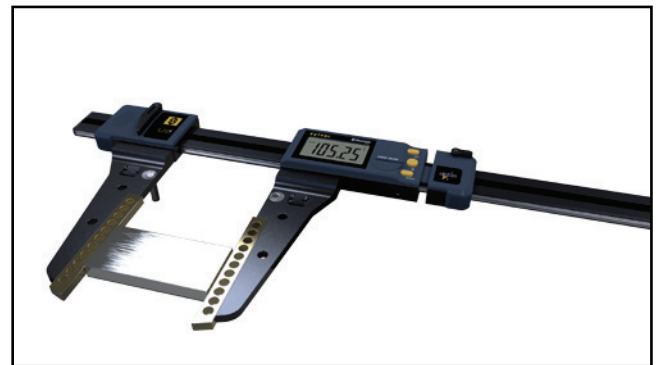


		UL4	UL H4	ULV4	UL D4
<b>811.2321</b>	Lower plate for internal tips (2 pieces)	●	●		
<b>811.2322</b>	Lower internal tips (2 pieces)	●	●		
<b>811.2323</b>	Upper internal tips (2 pieces)	●	●		
<b>811.2324</b>	Long cylindrical tips Ø8x80mm (2 pieces)	●	●		
<b>811.2325</b>	Cylindrical internal anvil Ø8x30mm (2 pieces)	●	●		

## APPLICATIONS



Internal measure with UL4



External measure with UL4

