

# CANTER 515.

4X2 / WIDE CAB / MANUAL OR DUONIC AMT

GVM

**4,500KG**

GCM

**8,000KG**

Power/Torque

**110KW/370NM**

Can be driven on a passenger car licence



**5**  
YEAR WARRANTY

CLASS LEADING TARE WEIGHT AND 30,000KM SERVICE INTERVALS.

[fuso.com.au](http://fuso.com.au)

**FUSO**

# SPECIFICATIONS

## MODEL

A	4x2 515 Wide Cab SWB 6 Sp. AMT (FEB21CR3SFAC)
B	4x2 515 Wide Cab MWB 6 Sp. AMT (FEB21ER3SFAC)
C	4x2 515 Wide Cab SWB 5 Sp. MAN (FEB21CR4SFAC)
D	4x2 515 Wide Cab MWB 5 Sp. MAN (FEB21ER4SFAC)

## WHEEL BASE

2800mm
3400mm
2800mm
3400mm

## GVM (optional)

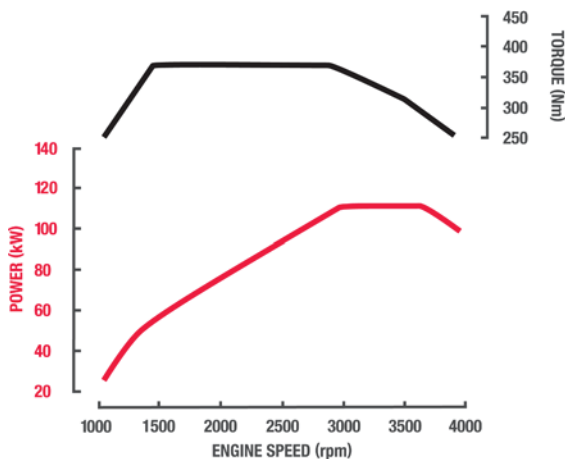
4500kg
4500kg
4500kg
4500kg

## GCM (optional)

8000kg
8000kg
8000kg
8000kg

## ENGINE

Engine Version	FUSO 4P10-T4 Diesel
Configuration	4 Cyl. In-line DOHC, 4-Valve
Type	Variable Geometry Turbo Charged Air to Air Intercooled
Displacement	3 litre (2998cc)
Bore	95.8mm
Stroke	104mm
Power (DIN)	110kW @ 2840~3500 rpm
Torque (DIN)	370Nm @ 1350~2840 rpm
Maximum Engine Speed	4100 rpm
Compression Ratio	17.5:1
Cooling System / Oil Cooler	Water cooled, 13.7L capacity/ Plate type engine oil cooler
Air Cleaner	Paper Element Type with Restrictor Indicator. Vertical Intake Mounted on Clean Air Side (RH)
Emission Control	Diesel Particulate Filter (DPF) Exhaust Dash Display DPF Status 0~9 (Empty~Full) Parked Regeneration possible from 7~9
Emission Level	ADR 80/03 & EEV rated (Enhanced Environmentally-Friendly Vehicle) Euro 5



## FUEL

Injection System	Bosch Common Rail Direct Injection Bosch Piezo Technology Injectors
Tank Type	Rectangular Steel Tank with Locking Cap
Fuel Capacity *	100 Litres
Filtration	Filter with Water Separator and Indicator Sensor
Notes	*Max Fill to approx 95% of Air Capacity

## COOLING

Fan Drive	Thermo modulated continuous control (Viscous)
Radiator	Corrugated Fin with Expansion Tank

## ELECTRICAL

Voltage	12V Negative Earth
Alternator Capacity	12V-110 amp
Starter Capacity	12V-2.0kW
Battery Capacity	2x12V, 70Ah/5hr
Battery Specification	115D31LX2
Headlamp Type	Halogen
Headlamp Capacity	2x55W/60W

## CLUTCH

Clutch Model	<b>A B</b> Duonic Automated Manual (no clutch pedal)	<b>C D</b> FUSO C4W30
Type	Dual Clutch (Wet Multi-plate)	Single Dry Plate, Direct Hydraulic Type

## TRANSMISSION

Version	<b>A B</b> FUSO Duonic M038S6	<b>C D</b> FUSO M038S5
Type/Speeds	6 Speed Automated Manual with Auto and Manual Modes	5 Speed with In-Dash Gearshift Lever
Features	Virtually Instant Gear Changes In-Dash Gear Lever with Park Brake Position ECO Mode to Minimise Fuel Usage	Synchromesh 2nd-5th
Ratios	1st: 5.397 2nd: 3.788 3rd: 2.310 4th: 1.474 5th: 1.000 6th: 0.701 Rev. 5.397	1st: 5.494 2nd: 3.193 3rd: 1.689 4th: 1.000 5th: 0.723 Rev. 4.494
PTO Opening	LH Side.	LH Side

## FRONT AXLE

Axle Version	FUSO F200T
Type	Independent Front Suspension
Capacity *	2300kg
Notes	*See MAX LOADING for vehicle capacity.

## FRONT SUSPENSION

Type	Double Wishbone Independent Front Suspension with Coil Springs and Shock Absorbers
------	--

## REAR AXLE

Type	Full Floating Banjo Type
Axle Version	FUSO R030T
Capacity*	3800kg
Ratio	4.444:1
Notes	*See MAX LOADING for vehicle capacity.

## REAR SUSPENSION

Type	Steel Suspension
Details	Parabolic Leaf with Shock Absorbers
Size Main Leaves	1100x70mm

## MAX LOADING

Front	2180kg
Rear	3800kg
Total	4500kg

## STEERING

Type	Rack & Pinion
Steering Column	Tilt/Telescopic Adjustable
Power Assist	Standard

# SPECIFICATIONS

## MODEL

A	4x2 515 Wide Cab SWB 6 Sp. AMT (FEB21CR3SFAC)
B	4x2 515 Wide Cab MWB 6 Sp. AMT (FEB21ER3SFAC)
C	4x2 515 Wide Cab SWB 5 Sp. MAN (FEB21CR4SFAC)
D	4x2 515 Wide Cab MWB 5 Sp. MAN (FEB21ER4SFAC)

## WHEEL BASE

2800mm
3400mm
2800mm
3400mm

## GVM (optional)

4500kg
4500kg
4500kg
4500kg

## GCM (optional)

8000kg
8000kg
8000kg
8000kg

## BRAKES

Type	Hydraulic Dual Circuit with Front and Rear Discs Single Calliper Front and Rear
Size Front	276x28mm
Size Rear	276x28mm
Features	ABS plus EBD (Electronic Brake Distribution) Exhaust Brake Brake Priority System
Park Brake	Transmission Mounted

## WHEELS & TYRES

Wheel Type	7 x Single Piece Disc Rims (Including Spare)
Wheel Size	16.0x5.5K-115
Wheel Stud Pattern	5 Stud 208 PCD
Tyre Size All	185/85R16 111/109
Spare Tyre Carrier	Provided

## CHASSIS

Type	Reinforced Tapered Channel
Size	188x60x4mm
Width	748mm
Tensile Strength	540 MPa

## INSTRUMENTS

Gauges	Speedometer with Odometer Tachometer Fuel Level Water Temperature
Colour Information Display	Fuel Consumption DPF Bar Chart from 1~9 Water Temperature Maintenance Reminder System Tripmeters

## MULTI-MEDIA PACKAGE

Satellite Navigation	Maps with heavy vehicle weight, length, height & hazardous material selectable restrictions with 3 years of Map updates
Colour Display	6.1 inch LCD with touch screen control
Phone Connectivity	Bluetooth® hands free
Audio Visual Entertainment	CD/DVD player and Digital radio DAB+ (also AM/FM for areas not covered by DAB+) USB port for iPod®* & other devices
Reversing Camera Compatible	Display can accept up to 3 cameras#
Notes	* iPod® compatibility requires an additional licensed cable # Cameras available through spare parts

## STANDARD FEATURES

Airbag(s)	Dual Air Bags and Seat Belt Pre-Tensioners (Driver & Far Side Passenger)		
	A B	C D	
Cruise Control	Yes	No	
Hill Start System	Yes		
Cab Cooling & Heating	Air Conditioner / Heater / Demister		
Accessory Power	12V Accessory Power Outlet / Cigar Lighter		
Driving	Fuso Multimedia Unit Keyless Central Locking Electric Windows Cup Holders (2)		
Storage	Dual Overhead Storage Pockets In-Dash Centre Document Storage Door Storage Pockets Dash Storage Tray (1 DIN) Coat Hooks		
Cab: External	Front End-Outline Marker Lamps Door Side Impact Beams		
Chassis	Reverse Warning Buzzer		

## CAB FEATURES

Type	All Steel Forward Control Manual Tilt		
Cab Structure	ECE-R29 European Cab Strength Approved		
Mounting	Hydroelastic 4 Point		
	A B	C D	
Additional Engine Access	Removable Engine Access Panel	N/A	
Colour	Natural White		
Windscreen Wipers	2 Speed + Intermittent Cycle with Integrated Washer Nozzles		
Rear Vision Mirrors	1 x Internal 2 x External Convex (ECE 46) - Heated		
Seating Capacity	3		
Seat Belts	Lap Sash Belts for Outside Seating Positions Lap Belt for Centre Seat		
Seat (driver)	Suspended with LH Arm Rest Lumbar Support & Weight Adjustment		
Seats (passenger)	Flat Folding, 2 Passenger Bench		

## SERVICE INTERVALS

Interval*	30,000km, 12 Months or 600 Hours (whichever occurs first)
Notes	* based on normal operating conditions and may be reduced when operating under severe conditions.

## WARRANTY

Basic/Powertrain	5 Years, 200,000kms or 4,000 operating hours (whichever occurs first)
Cab Perforation/Anti Corrosion	5 Years

## PERFORMANCE

	A	B	C	D
Turning Circle (kerb to kerb - metres)	9.4	11.0	9.4	11.0
Road Speed (km/h) at Max Engine Speed	137	137	137	137
Engine Speed (rpm) at 100km/hr (top gear)	2346	2346	2420	2420
Gradeability at Rated GVM (theoretical)*	45%	45%	45%	45%

Notes \*This is theoretical performance only. Actual performance may vary under different conditions

# SPECIFICATIONS

## MODEL

A	4x2 515 Wide Cab SWB 6 Sp. AMT (FEB21CR3SFAC)
B	4x2 515 Wide Cab MWB 6 Sp. AMT (FEB21ER3SFAC)
C	4x2 515 Wide Cab SWB 5 Sp. MAN (FEB21CR4SFAC)
D	4x2 515 Wide Cab MWB 5 Sp. MAN (FEB21ER4SFAC)

## WHEEL BASE

2800mm
3400mm
2800mm
3400mm

## GVM (optional)

4500kg
4500kg
4500kg
4500kg

## GCM (optional)

8000kg
8000kg
8000kg
8000kg

### MASS (ESTIMATED)\*

	A	B	C	D
Front*	1460kg	1480kg	1445kg	1460kg
Rear*	555kg	560kg	550kg	560kg
Total*	2015kg	2040kg	1995kg	2020kg

Notes \* Mass (est.) includes oil and water but excludes spare wheel, tools & fuel. Weights provided are subject to 3.5% variation (+/-)

### DIMENSIONS (MM)

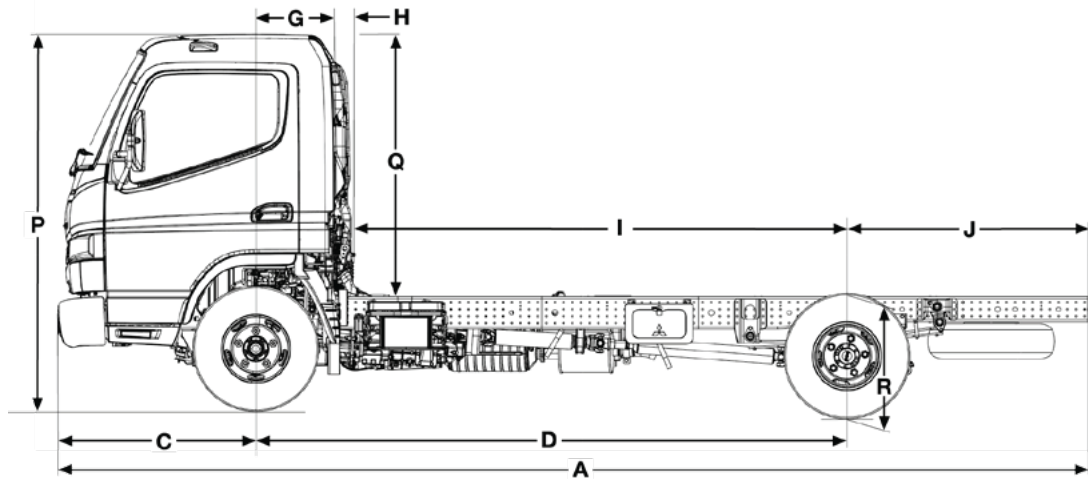
	A	B	C	D
Width Front Fender (mm)	1995	1995	1995	1995
Width Rear Axle (mm)	1929	1929	1929	1929
Width Rear Track (mm)	1495	1495	1495	1495
Width Frame (mm)	748	748	748	748
A - Length Overall (mm)	5135	5785	5135	5785
C - Front Overhang (mm)	1140	1140	1140	1140
D - Wheelbase (mm)	2800	3400	2800	3400
G - Front Axle to Rear of Cab (mm)	525	525	525	525
H - Rear of Cab to Rearmost Item Behind Cab (mm)	50	50	81	81
I - Rearmost Item Behind Cab to Rear Axle (mm)	2225	2825	2194	2794
J - Frame, Rear Axle to End (mm)	1195	1395	1195	1395
P - Height Cab to Ground (mm)	2165	2165	2165	2165
Q - Height Cab to Frame (mm)	1516	1516	1516	1516
R - Height Rear Frame to Ground (mm)	728	727	728	727

### BODY BUILDER'S NOTES

#### Notes

Chassis reinforcement must be utilised for Tipper/Demountable type body configurations. To conform with ADR 13/00 and 14/02 (lighting/mirror requirements) the following must be adhered to at body installation.

- If overall width exceeds 2.1 metres and other than flat type or tipper body is fitted, rear end-outline markers must be installed.
- If overall length exceeds 6.0 metres, side reflectors must be installed.
- If overall length exceeds 7.5 metres and width exceeds 2.1 metres, side marker lamps must be installed.
- If overall width is less than 2.2 metres, the mirrors must be modified to project not more than 230mm. To conform with ADR 42/04 (General Safety), rear wheel guards must be fitted to the vehicle.



# CALL 1300 429 134

or visit [fuso.com.au](http://fuso.com.au)

# FUSO

Unless specified in writing herein the accessories, applications, bodies or equipment depicted in this document are for illustration purposes only and may not be available from Mercedes-Benz Australia/Pacific Pty Ltd (ABN 23 004 411 410) ("MBAuP"). No representation or warranty whatsoever is given in relation to any accessories, applications, bodies or equipment or suitability of same that are shown herein that may be manufactured, supplied or fitted by a party other than MBAuP. MBAuP reserves the right without notice or obligation to discontinue or make changes to the colour, designs, materials and specifications of the products and options referred to herein at any time. For the most current information and in order to ascertain which accessories, applications, bodies and equipment are available from MBAuP please contact your authorised Mitsubishi FUSO truck and bus dealer. Fuso is a registered trademark of Mitsubishi Fuso Truck & Bus Corporation. Copyright © MBAuP. Reproduction in whole or part prohibited without written approval. Part Number TSC120D-SSV2. Valid from 01-Mar-17.