

# CANTER TIPPERS.

4X2 / LSD / MANUAL OR DUONIC AMT

GVM

6,000KG OR  
6,500KG

GCM

9,500KG OR  
10,000KG

Power/Torque

110KW/370NM

Light rigid licence required.

Can be derated and driven with a passenger car licence.



**5**  
YEAR WARRANTY

ONLY JAPANESE FACTORY TIPPER WITH A LIMITED SLIP DIFFERENTIAL.

fuso.com.au

**FUSO**

# SPECIFICATIONS

## MODEL

<b>A</b>	4x2 515 City Cab Tipper SWB 6 Sp. AMT (FEA61BR3SFAC)
<b>B</b>	4x2 715 Wide Cab Tipper SWB 6 Sp. AMT (FEC81CR3SFAC)
<b>C</b>	4x2 515 City Cab Tipper SWB 5 Sp. MAN (FEA61BR4SFAC)
<b>D</b>	4x2 715 Wide Cab Tipper SWB 5 Sp. MAN (FEC81CR4SFAC)

## WHEEL BASE

2500mm
2800mm
2800mm
2800mm

## GVM (optional)

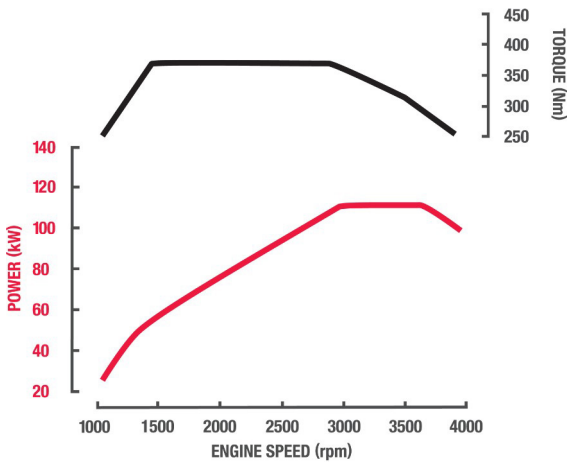
6,000kg (4,500kg)
6,500kg (4,500kg)
6,000kg (4,500kg)
6,500kg (4,500kg)

## GCM (optional)

9,500kg (8,000kg)
10,000kg (8,000kg)
9,500kg (8,000kg)
10,000kg (8,000kg)

## ENGINE

Engine Version	FUSO 4P10-T4 Diesel	
Configuration	4 Cyl. In-line DOHC, 4-Valve	
Type	Variable Geometry Turbo Charged Air to Air Intercooled	
Displacement	3 litre (2998cc)	
Bore	95.8mm	
Stroke	104mm	
Power (DIN)	110kW @ 2840~3500 rpm	
Torque (DIN)	370Nm @ 1350~2840 rpm	
Maximum Engine Speed	4100 rpm	
Compression Ratio	17.5:1	
Cooling System / Oil Cooler	<b>A C</b> Water cooled, 13.0L capacity/ Plate type engine oil cooler	<b>B D</b> Water cooled, 13.7L capacity/ Plate type engine oil cooler
Air Cleaner	Paper Element Type with Restrictor Indicator. Vertical Intake Mounted on Clean Air Side (RH)	
Emission Control	Diesel Particulate Filter (DPF) Exhaust Dash Display DPF Status 0~9 (Empty~Full) Parked Regeneration possible from 7~9	
Emission Level	ADR 80/03 & EEV rated (Enhanced Environmentally-Friendly Vehicle) Euro 5	



## FUEL

Injection System	Bosch Common Rail Direct Injection Bosch Piezo Technology Injectors	
Tank Type	Rectangular Steel Tank with Locking Cap	
Fuel Capacity *	<b>A C</b> 70 Litres	<b>B D</b> 100 Litres
Filtration	Filter with Water Separator and Indicator Sensor	
Notes	*Max Fill to approx 95% of Air Capacity	

## COOLING

Fan Drive	Thermo modulated continuous control (Viscous)
Radiator	Corrugated Fin with Expansion Tank

## ELECTRICAL

Voltage	12V Negative Earth
Alternator Capacity	12V-110 amp
Starter Capacity	12V-2.0kW
Battery Capacity	2x12V, 70Ah/5hr
Battery Specification	115D31LX2
Headlamp Type	Halogen
Headlamp Capacity	2x55W/60W

## CLUTCH

	<b>A B</b>	<b>C D</b>
Clutch Model	Duonic Automated Manual (no clutch pedal)	FUSO C4W30
Type	Dual Clutch (Wet Multi-plate)	Single Dry Plate, Direct Hydraulic Type

## TRANSMISSION

	<b>A B</b>	<b>C D</b>
Version	FUSO Duonic M038S6	FUSO M038S5
Type/Speeds	6 Speed Automated Manual with Auto and Manual Modes	5 Speed with In-Dash Gearshift Lever
Features	Virtually Instant Gear Changes In-Dash Gear Lever with Park Brake Position ECO Mode to Minimise Fuel Usage	Synchromesh 2nd-5th
Ratios	1st: 5.397 2nd: 3.788 3rd: 2.310 4th: 1.474 5th: 1.000 6th: 0.701 Rev. 5.397	1st: 5.494 2nd: 3.193 3rd: 1.689 4th: 1.000 5th: 0.723 Rev. 4.494
PTO Opening	LH Side Direct Connection Pump.	LH Side Direct Connection Pump

## FRONT AXLE

	<b>A C</b>	<b>B D</b>
Axle Version	FUSO F200T	FUSO F350T
Type	Reverse Elliot "I" Beam	Reverse Elliot "I" Beam
Capacity *	2600kg	3100kg
Notes	*See MAX LOADING for vehicle capacity.	

## FRONT SUSPENSION

Type	Multi-Leaf with Double Acting Shock Absorbers
Size	1150x70mm Leaves

## REAR AXLE

Type	Full Floating Banjo Type with Positive Locking Limited Slip Differential (LSD).	
	<b>A C</b>	<b>B D</b>
Axle Version	FUSO R033T	FUSO R035T
Capacity*	4500kg	6000kg
	<b>A C D</b>	<b>B</b>
Ratio	5.285:1	5.714:1
Notes	*See MAX LOADING for vehicle capacity.	

## REAR SUSPENSION

Type	Steel Suspension	
Details	Semi-Elliptic Leaf with Double Acting Shock Absorbers	
	<b>A C</b>	<b>B D</b>
Size Main Leaves	1100x70mm	1250x70mm
Size Helper Leaves	N/A	880x70mm

# SPECIFICATIONS

## MODEL

<b>A</b>	4x2 515 City Cab Tipper SWB 6 Sp. AMT (FEA61BR3SFAC)
<b>B</b>	4x2 715 Wide Cab Tipper SWB 6 Sp. AMT (FEC81CR3SFAC)
<b>C</b>	4x2 515 City Cab Tipper SWB 5 Sp. MAN (FEA61BR4SFAC)
<b>D</b>	4x2 715 Wide Cab Tipper SWB 5 Sp. MAN (FEC81CR4SFAC)

## WHEEL BASE

2500mm
2800mm
2800mm
2800mm

## GVM (optional)

6,000kg (4,500kg)
6,500kg (4,500kg)
6,000kg (4,500kg)
6,500kg (4,500kg)

## GCM (optional)

9,500kg (8,000kg)
10,000kg (8,000kg)
9,500kg (8,000kg)
10,000kg (8,000kg)

## MAX LOADING

	<b>A</b>	<b>B</b>	<b>C</b>	<b>D</b>
Front	2500kg	3100kg	2500kg	3100kg
Rear	4500kg	6000kg	4500kg	6000kg
Total	6000kg	6500kg	6000kg	6500kg

## OPTIONS

Options	H31: 4500/8000kg GVM/GCM Rating
---------	---------------------------------

## STEERING

Type	Integral Ball and Nut Type
Steering Column	Tilt/Telescopic Adjustable
Power Assist	Standard

## BRAKES

Type	Hydraulic Dual Circuit with Front and Rear Discs Twin Calliper Front and Rear
	<b>A C</b> <b>B D</b>
Size Front	235x40mm 310x40mm
Size Rear	235x40mm 310x40mm
Features	ABS plus EBD (Electronic Brake Distribution) Exhaust Brake Brake Priority System
Park Brake	Transmission Mounted

## WHEELS & TYRES

Wheel Type	7 x Single Piece Disc Rims (Including Spare)	
	<b>A C</b>	<b>B D</b>
Wheel Size	16.0x5.5K-115	17.5x6.0-127
Wheel Stud Pattern	5 Stud 208 PCD	6 Stud 222.25 PCD
Tyre Size Front	205/85R16 117/115	215/75R17.5 124/123
Tyre Size Rear	205/85R16 117/115	215/75R17.5 124/123
	LUG Tyres Fitted (for Extra Traction)	LUG Tyres Fitted (for Extra Traction)
Spare Tyre Carrier	Provided	

## CHASSIS

Type	<b>A C</b> Tapered Frame with Box Reinforcement	<b>B D</b> Tapered Frame with Body Sub-frame
Size	190x60x5mm	212x65x6mm
Tensile Strength	440 MPa	540 MPa

## INSTRUMENTS

Gauges	Speedometer with Odometer Tachometer Fuel Level Water Temperature
Colour Information Display	Fuel Consumption DPF Bar Chart from 1~9 Water Temperature Maintenance Reminder System Tripmeters

## MULTI-MEDIA PACKAGE

Satellite Navigation	Maps with heavy vehicle weight, length, height & hazardous material selectable restrictions with 3 years of Map updates
Colour Display	6.1 inch LCD with touch screen control
Phone Connectivity	Bluetooth® hands free
Audio Visual Entertainment	CD/DVD player and Digital radio DAB+ (also AM/FM for areas not covered by DAB+) USB port for iPod®* & other devices
Reversing Camera Compatible	Display can accept up to 3 cameras#
Notes	* iPod® compatibility requires an additional licensed cable # Cameras available through spare parts

## STANDARD FEATURES

Airbag(s)	Dual Air Bags and Seat Belt Pre-Tensioners (Driver & Far Side Passenger)	
Cruise Control	<b>A B</b> Yes	<b>C D</b> No
Hill Start System	Yes	
Cab Cooling & Heating	Air Conditioner / Heater / Demister	
Accessory Power	12V Accessory Power Outlet / Cigar Lighter	
Driving	Fuso Multimedia Unit Keyless Central Locking Electric Windows Cup Holders (2)	
Storage	Dual Overhead Storage Pockets In-Dash Centre Document Storage Door Storage Pockets Dash Storage Tray (1 DIN) Coat Hooks	
Cab: External	Front End-Outline Marker Lamps Door Side Impact Beams	
Chassis	Reverse Warning Buzzer Factory Reverse Camera with Infrared Display and Audible Pickup (Supply only in Cabin with Cab Chassis)	

## CAB FEATURES

Type	All Steel Forward Control Manual Tilt	
Cab Structure	<b>A C</b> N/A	<b>B D</b> ECE-R29 European Cab Strength Approved
Mounting	Hydroelastic 4 Point	
Additional Engine Access	N/A	
Colour	Natural White	
Windscreen Wipers	2 Speed + Intermittent Cycle with Integrated Washer Nozzles	
Rear Vision Mirrors	1 x Internal 2 x External Convex (ECE 46) - Heated	
Seating Capacity	3	
Seat Belts	Lap Sash Belts for Outside Seating Positions Lap Belt for Centre Seat	
Seat (driver)	<b>A C</b> Fixed Reclining LH Arm Rest & Lumbar Support	<b>B D</b> Suspended with Weight Adjustment, LH Arm Rest and Lumbar Support
Seats (passenger)	Flat Folding, 2 Passenger Bench	

## SERVICE INTERVALS

Interval*	30,000km, 12 Months or 600 Hours (whichever occurs first)
Notes	* based on normal operating conditions and may be reduced when operating under severe conditions.

# SPECIFICATIONS

## MODEL

A	4x2 515 City Cab Tipper SWB 6 Sp. AMT (FEA61BR3SFAC)
B	4x2 715 Wide Cab Tipper SWB 6 Sp. AMT (FEC81CR3SFAC)
C	4x2 515 City Cab Tipper SWB 5 Sp. MAN (FEA61BR4SFAC)
D	4x2 715 Wide Cab Tipper SWB 5 Sp. MAN (FEC81CR4SFAC)

## WHEEL BASE

2500mm
2800mm
2800mm
2800mm

## GVM (optional)

6,000kg (4,500kg)
6,500kg (4,500kg)
6,000kg (4,500kg)
6,500kg (4,500kg)

## GCM (optional)

9,500kg (8,000kg)
10,000kg (8,000kg)
9,500kg (8,000kg)
10,000kg (8,000kg)

## WARRANTY

Basic/Powertrain	5 Years, 200,000kms or 4,000 operating hours (whichever occurs first)
------------------	---

## PERFORMANCE

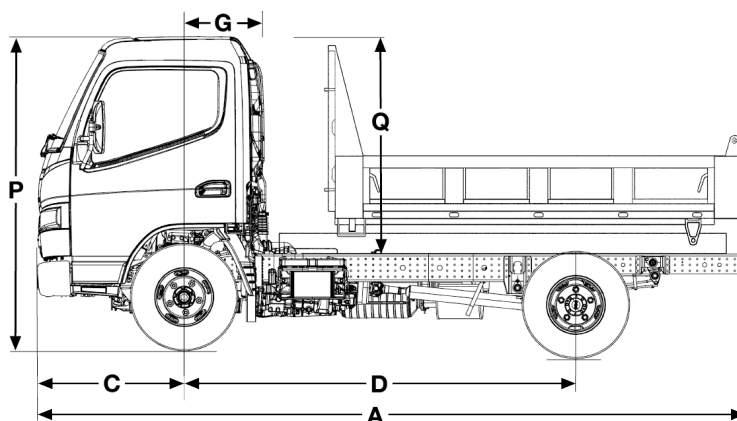
Turning Circle (kerb to kerb - metres)	A	B	C	D
	9.4	10.4	9.4	10.4
Road Speed (km/h) at Max Engine Speed	136	127	134	130
Engine Speed (rpm) at 100km/hr (top gear)	2661	2817	2531	2687
Gradeability at Rated GVM (theoretical)*	44%	31%	45%	29%
Notes	*This is theoretical performance only. Actual performance may vary under different conditions			

## MASS (ESTIMATED)\*

	A	B	C	D
Front*	1540kg	1665kg	1535kg	1660kg
Rear*	1055kg	1330kg	1040kg	1325kg
Total*	2595kg	2995kg	2575kg	2985kg
Notes	* Mass (est.) includes oil and water but excludes spare wheel, tools & fuel. Weights provided are subject to 3.5% variation (+/-)			

## DIMENSIONS (MM)

	A	B	C	D
Width Front Fender (mm)	1695	1995	1695	1995
Width Rear Axle (mm)	1685	2034	1685	2034
Width Frame (mm)	701	850	701	850
A - Length Overall (mm)	4690	5145	4690	5145
C - Front Overhang (mm)	990	1140	990	1140
D - Wheelbase (mm)	2500	2800	2500	2800
G - Front Axle to Rear of Cab (mm)	525	525	525	525
P - Height Cab to Ground (mm)	2175	2190	2175	2190
Q - Height Cab to Frame (mm)	1471	1515	1471	1515
Tipper Body Width Outside	1870	2155	1870	2155
Tipper Body Width Inside	1780	2060	1780	2060
Tipper Body Length Inside	3050	2850	3050	2850
Tipper Capacity (cubic metres)	2.0	2.1	2.0	2.1



# CALL 1300 429 134

or visit [fuso.com.au](http://fuso.com.au)

# FUSO

Unless specified in writing herein the accessories, applications, bodies or equipment depicted in this document are for illustration purposes only and may not be available from Daimler Truck and Bus Australia Pacific Pty Ltd. (ABN 86 618 413 282) (DTB). No representation or warranty whatsoever is given in relation to any accessories, applications, bodies or equipment or suitability of same that are shown herein that may be manufactured, supplied or fitted by a party other than DTB. DTB reserves the right without notice or obligation to discontinue or make changes to the colour, designs, materials and specifications of the products and options referred to herein at any time. For the most current information and in order to ascertain which accessories, applications, bodies and equipment are available from DTB please contact your authorised FUSO Truck and Bus dealer. Fuso is a registered trademark of Daimler Truck and Bus Australia Pacific Pty Ltd. Copyright DTB. Reproduction in whole or part prohibited without written approval. Part Number TSC130-SSV3. Valid from 01-Feb-18.