

# HEAVY FV51 6X4.

MANUAL OR AMT / MECH SUSP. / MWB

GVM

**25,400KG**

Heavy rigid licence required

GCM

**50,000KG TO  
53,000KG**

Power/Torque

**360HP/1,850NM TO  
455HP/2,200NM**



**5**  
YEAR  
WARRANTY

**40,000 KM SERVICE INTERVALS**

[fuso.com.au](http://fuso.com.au)

**FUSO**

# SPECIFICATIONS

## MODEL

|   |   |
|---|---|
| A | 6x4 FV51 360hp MWB 13 Sp. MAN (FV51SK2FAA)  |
| B | 6x4 FV51 360hp MWB 12 Sp. AMT (FV51SK2VFAA) |
| C | 6x4 FV51 400hp MWB 12 Sp. AMT (FV51SK3VFAA) |
| D | 6x4 FV51 455hp MWB 12 Sp. AMT (FV51SK5VFAA) |

## WHEEL BASE

|        |
|--------|
| 4300mm |
| 4300mm |
| 4300mm |
| 4300mm |

## GVM

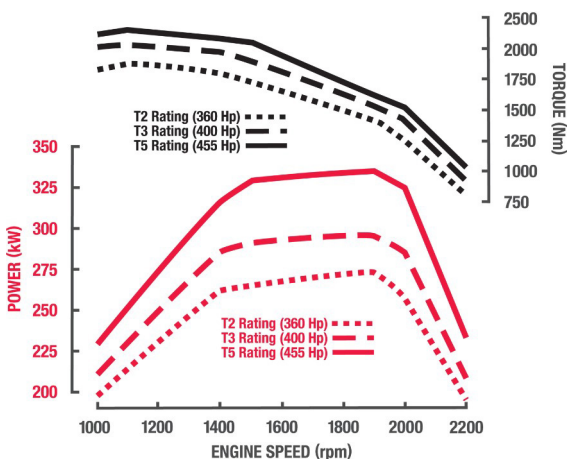
|          |
|----------|
| 24,500kg |
| 24,500kg |
| 24,500kg |
| 24,500kg |

## GCM

|          |
|----------|
| 50,000kg |
| 50,000kg |
| 50,000kg |
| 53,000kg |

## ENGINE

|                             |  |                                  |                                  |
|-----------------------------|--|----------------------------------|----------------------------------|
| Engine Version              | <b>A B</b><br>FUSO OM457-T2 Diesel   | <b>C</b><br>FUSO OM457-T3 Diesel | <b>D</b><br>FUSO OM457-T5 Diesel |
| Configuration               | 6 Cyl. In-line OHV   |                                  |                                  |
| Type                        | Waste-gate Turbocharged with Air to Air Intercooled  |                                  |                                  |
| Displacement                | 12 litre (11967cc)   |                                  |                                  |
| Bore                        | 128mm  |                                  |                                  |
| Stroke                      | 155mm  |                                  |                                  |
| Power (DIN)                 | <b>A B</b><br>265kW @ 1900 rpm   | <b>C</b><br>295kW @ 1900 rpm     | <b>D</b><br>335kW @ 1900 rpm     |
| Torque (DIN)                | 1850Nm @ 1100 rpm  | 2000Nm @ 1100 rpm                | 2200Nm @ 1100 rpm                |
| Maximum Engine Speed        | 2100 rpm   |                                  |                                  |
| Cooling System / Oil Cooler | Water cooled, 32.0L capacity/ Plate type engine oil cooler                                   |                                  |                                  |
| Air Cleaner                 | Paper Element Type with Restrictor Indicator. Vertical Intake Mounted on Clean Air Side (RH) |                                  |                                  |
| Emission Control            | Selective Catalytic Reduction (SCR)  |                                  |                                  |
| Emission Level              | ADR 80/03 - Euro 5   |                                  |                                  |



## FUEL

|                               |  |
|-------------------------------|--|
| Injection System              | Electronically Controlled Unit Pump Injection  |
| Tank Type                     | Rectangular Alloy Tank with Locking Cap        |
| Fuel Capacity *               | 400 Litres                                     |
| Filtration                    | Filter with Water Separator and Dash Indicator |
| AdBlue Exhaust Fluid Capacity | 40 Litres, Tank fitted with locking AdBlue cap |
| Speed Limiter                 | Speed Limited 100km/h                          |
| Notes                         | *Max Fill to approx 95% of Air Capacity        |

## COOLING

|           |   |
|-----------|---|
| Fan Drive | Thermo modulated continuous control (Viscous) |
| Radiator  | Corrugated Fin with Expansion Tank            |

## ELECTRICAL

|                       |                                   |
|-----------------------|-----------------------------------|
| Voltage               | 24V Negative Ground               |
| Alternator Capacity   | 24V-80 amp                        |
| Starter Capacity      | 24V-7.0kW                         |
| Battery Capacity      | 2x12V, 150Ah/20hr                 |
| Battery Specification | 2x145G51 (N150)                   |
| Headlamp Type         | Halogen                           |
| Headlamp Capacity     | Low beam 2x70W<br>High beam 2x70W |
| Fog Light             | Halogen                           |

## CLUTCH

|                         |                          |                                    |
|-------------------------|--------------------------|------------------------------------|
| Clutch Model            | <b>A</b><br>FUSO C14W40P | <b>B C D</b><br>FUSO C12W43P       |
| Type                    | Twin Dry Plate           | Single Plate                       |
| Operation/Specification | Air Assisted Hydraulic   | Automated Manual (no clutch pedal) |

## TRANSMISSION

|             |   |   |
|-------------|---|---|
| Version     | <b>A</b><br>Eaton Manual RTLO-14913   | <b>B C D</b><br>FUSO Automated Manual G230-12 (INOMAT-II)   |
| Type/Speeds | 13 Speed Constant Mesh  | 12 Speed Automated Manual with Auto and Manual Modes  |
| Features    | Counter-shaft Brake Oil Cooler  | Crawler Mode<br>Skip Shift Function for Light Loads<br>ECO Mode to Minimise Fuel Usage  |
| Ratios      | 1st: 12.310<br>2nd: 8.640<br>3rd: 6.110<br>4th: 4.430<br>5th: 3.230<br>6th: 2.290<br>7th: 1.950<br>8th: 1.620<br>9th: 1.380<br>10th: 1.170<br>11th: 1.000<br>12th: 0.860<br>13th: 0.730<br>RHigh: 3.500<br>RLow: 13.220 | 1st: 11.672<br>2nd: 9.101<br>3rd: 7.055<br>4th: 5.501<br>5th: 4.400<br>6th: 3.430<br>7th: 2.652<br>8th: 2.068<br>9th: 1.603<br>10th: 1.250<br>11th: 1.000<br>12th: 0.779<br>RHHigh: 9.101<br>RLow: 11.673<br>Torque limited to 1775Nm from 1st to 3rd and Reverse |
| PTO Opening | Lower Transmission  | LH Side and Rear of XMSM  |

## PROPELLER SHAFT

|      |  |
|------|--|
| Type | Single Main Shaft GW5E2200<br>Inter-axle Shaft P12 |
|------|--|

## FRONT AXLE

|              |  |
|--------------|--|
| Axle Version | FUSO F090T                             |
| Type         | Reverse Elliot 'I' Beam                |
| Capacity *   | 7500kg                                 |
| Notes        | *See MAX LOADING for vehicle capacity. |

## FRONT SUSPENSION

|      |  |
|------|--|
| Type | Long Taper Leaf with Double Acting Shock Absorbers |
| Size | 1500x90mm Leaves                                   |

## REAR AXLE

|              |  |                         |
|--------------|--|-------------------------|
| Type         | Full Floating Hypoid Type Tandem Drive with Inter-Axle Diff Lock |                         |
| Axle Version | FUSO R10/D10   |                         |
| Capacity*    | 21600kg  |                         |
| Ratio        | <b>A</b><br>5.142:1  | <b>B C D</b><br>4.625:1 |
| Notes        | *See MAX LOADING for vehicle capacities                          |                         |

## REAR SUSPENSION

|                  |                                 |
|------------------|---------------------------------|
| Type             | Mechanical Suspension           |
| Details          | Long Leaf Taper, 6 Rod Trunnion |
| Size Main Leaves | 1320x90mm                       |

## MAX LOADING

|       |         |
|-------|---------|
| Front | 6500kg  |
| Rear  | 21600kg |
| Total | 25400kg |

# SPECIFICATIONS

## MODEL

|          |   |
|----------|---|
| <b>A</b> | 6x4 FV51 360hp MWB 13 Sp. MAN (FV51SK2FAA)  |
| <b>B</b> | 6x4 FV51 360hp MWB 12 Sp. AMT (FV51SK2VFAA) |
| <b>C</b> | 6x4 FV51 400hp MWB 12 Sp. AMT (FV51SK3VFAA) |
| <b>D</b> | 6x4 FV51 455hp MWB 12 Sp. AMT (FV51SK5VFAA) |

## WHEEL BASE

|        |
|--------|
| 4300mm |
| 4300mm |
| 4300mm |
| 4300mm |

## GVM

|          |
|----------|
| 24,500kg |
| 24,500kg |
| 24,500kg |
| 24,500kg |

## GCM

|          |
|----------|
| 50,000kg |
| 50,000kg |
| 50,000kg |
| 53,000kg |

## OPTIONS

|         |  |   |
|---------|--|---|
| Options | <b>A B C</b><br>R51: Flywheel (Live Drive) PTO | <b>D</b><br>R54: Limited Slip Differential (LSD) for Both Diffs |
|---------|--|---|

## STEERING

|                 |                            |
|-----------------|----------------------------|
| Type            | Integral Ball and Nut      |
| Steering Column | Tilt/Telescopic Adjustable |

## BRAKES

|            |  |
|------------|--|
| Type       | Full Air, Dual Circuit with FUSO Taper Rollers, ABS plus ASR (Anti Slip Regulator) |
| Size Front | 410x150mm  |
| Size Rear  | 410x200mm  |
| Park Brake | Rear Wheel Spring Actuated   |
| Engine     | Constant Throttle Brake<br>4 Levels of Retardation                                 |
| Trailer    | Hand Control Valve, Air Lines Coupling and Electrical Cable                        |

## WHEELS & TYRES

|                    |   |   |
|--------------------|---|---|
| Wheel Type         | <b>A B C</b><br>11, Single Piece Steel Disc (Including Spare) | <b>D</b><br>11, Single Piece Alloy Disc (Including Spare) |
| Wheel Size         | 22.5x8.25DC   |   |
| Wheel Stud Pattern | 10x335mm PCD  |   |
| Tyre Size Front    | 295/80R22.5 152/148   |   |
| Tyre Size Rear     | 11R22.5 148/145   |   |
| Tyre Size Spare    | 295/80R22.5 152/148   |   |
| Spare Tyre Carrier | Not Provided  |   |

## CHASSIS

|                  |                             |
|------------------|-----------------------------|
| Type             | Reinforced Parallel Channel |
| Size             | 300x90x7.0mm                |
| Width            | 840mm                       |
| Tensile Strength | 540Mpa                      |

## INSTRUMENTS

|                            |  |   |
|----------------------------|--|---|
| Gauges                     | Speedometer with Odometer<br>Tachometer<br>Air Pressure (2)<br>Fuel Level<br>Water Temperature<br>AdBlue Level   |   |
| Colour Information Display | Fuel Consumption<br>Service Indicators<br>Hour Meter and Tripmeter<br>Oil Level Check  |   |
| Warning Lamps              | <b>A</b><br>ABS<br>ASR<br>Turn Signal<br>High Beam<br>Engine Brake<br>Brake<br>Fog Lamp<br>All Major System Faults<br>Oil Level<br>Ad Blue Low<br>Alternator<br>Differential Lock<br>Cruise Control<br>Cab Tilt Lock | <b>B C D</b><br>ABS<br>ASR<br>Turn Signal<br>High Beam<br>Engine Brake & Shift<br>Down Brake<br>Fog Lamp<br>All Major System Faults<br>Oil Level<br>Ad Blue Low<br>Alternator<br>Differential Lock<br>Cruise Control<br>Cab Tilt Lock |
| Warning Lamp/Buzzer        | Air Pressure<br>Oil Pressure<br>Hill Start<br>Park Brake<br>Engine Overrun<br>Engine Overheat / Low Coolant Level  |   |

## MULTI-MEDIA PACKAGE

|                             |   |
|-----------------------------|---|
| Satellite Navigation        | Maps with heavy vehicle weight, length, height & hazardous material selectable restrictions with 3 years of Map updates |
| Colour Display              | 6.1 inch LCD with touch screen control  |
| Phone Connectivity          | Bluetooth® hands free   |
| Audio Visual Entertainment  | CD/DVD player<br>Digital radio DAB+ (also AM/FM for areas not covered by DAB+)<br>USB port for iPod® * & other devices  |
| Reversing Camera Compatible | Display can accept up to 3 cameras#   |
| Notes                       | * iPod® compatibility requires an additional licenced cable<br># Cameras available through spare parts                  |

## STANDARD FEATURES

|                       |  |  |
|-----------------------|--|--|
| Airbag(s)             | Driver's Air Bag and Seat Belt Pre-tensioners  |  |
| Hill Start System     | <b>A</b><br>No   | <b>B C D</b><br>Yes  |
| Cab Cooling & Heating | Climate Control  |  |
| Accessory Power       | 24V Accessory Power Outlet / Cigar Lighter   |  |
| Driving               | <b>A B D</b><br>Suspended Driver's Seat<br>Central Locking<br>Electric Windows<br>Cruise Control (range 40 to 100km/h)<br>LH Transom Window<br>Opening Rear Quarter Glass<br>Cup Holder<br>Fluorescent Cabin Lamp<br>Trailer Package including Trailer "Stretch Brake" | <b>C</b><br>Suspended Driver's Seat<br>Central Locking<br>Electric Windows<br>Cruise Control (range 40 to 100km/h)<br>LH Transom Window<br>Opening Rear Quarter Glass<br>Cup Holder<br>Fluorescent Cabin Lamp<br>Trailer Package including Trailer 'Stretch Brake' |
| Storage               | Centre Storage Console<br>Dash Storage Tray 2 DIN<br>Driver's Overhead Storage<br>Coat Hooks   |  |
| Cab: External         | Fog Lights<br>Door Side Impact Beams<br>Roof Mounting Points (max. static load 70kg)<br>Front End-Outline Marker Lamps   |  |
| Chassis               | Integrated Front Underrun System (FUPS)<br>Reverse Warning Buzzer<br>Clear Top of Chassis Rail for ease of Body Fitment  |  |

## CAB FEATURES

|                     |  |                          |
|---------------------|--|--------------------------|
| Type                | All Steel Forward Control Electric / Hydraulic Tilt Cab  |                          |
| Cab Structure       | ECE-R29 Standard   |                          |
| Mounting            | Air Suspended Front and Rear   |                          |
| Colour              | Natural White  |                          |
| Windscreen Wipers   | 2 Speed + Intermittent Cycle with Integrated Washer Nozzles  |                          |
| Rear Vision Mirrors | 2 x External<br>Flat Main Mirrors Plus Convex Spotters<br>Motorised Main Mirrors, All Mirrors Heated |                          |
| Seating Capacity    | <b>A B C</b><br>3  | <b>D</b><br>2            |
| Seat Belts          | Lap Sash Belts for Outside Seating Positions<br>Lap Belt for Centre Seat                             |                          |
| Seat (driver)       | Suspended (ISRI)   |                          |
| Seats (passenger)   | <b>A B C</b><br>2 Fixed  | <b>D</b><br>Single Fixed |
| Sleeping            | ADR42/04 Approved Sleeping Berth (455hp Only)  |                          |

## SERVICE INTERVALS

|           |   |
|-----------|---|
| Interval* | 40,000km, 12 Months or 800 Hours (whichever occurs first)   |
| Notes     | * based on normal operating conditions and may be reduced when operating under severe conditions. |

# SPECIFICATIONS

## MODEL

|   |   |
|---|---|
| A | 6x4 FV51 360hp MWB 13 Sp. MAN (FV51SK2FAA)  |
| B | 6x4 FV51 360hp MWB 12 Sp. AMT (FV51SK2VFAA) |
| C | 6x4 FV51 400hp MWB 12 Sp. AMT (FV51SK3VFAA) |
| D | 6x4 FV51 455hp MWB 12 Sp. AMT (FV51SK5VFAA) |

## WHEEL BASE

|        |
|--------|
| 4300mm |
| 4300mm |
| 4300mm |
| 4300mm |

## GVM

|          |
|----------|
| 24,500kg |
| 24,500kg |
| 24,500kg |
| 24,500kg |

## GCM

|          |
|----------|
| 50,000kg |
| 50,000kg |
| 50,000kg |
| 53,000kg |

## WARRANTY

|                                |  |
|--------------------------------|--|
| Basic/Powertrain               | 5 Years, 500,000kms or 10,000 operating hours (whichever occurs first) |
| Cab Perforation/Anti Corrosion | 5 Years  |

## PERFORMANCE

|   |   |      |      |      |
|---|---|------|------|------|
| Turning Circle (kerb to kerb - metres)    | 15.0  |      |      |      |
| Electronically Speed Limited 100km/hr to: | Conforms to ADR65/..  |      |      |      |
| Engine Speed (rpm) at 100km/hr (top gear) | A   | B    | C    | D    |
|   | 1970  | 1891 | 1891 | 1891 |
| Gradeability at Rated GCM (theoretical)*  | 40%   | 24%  | 24%  | 30%  |
| Notes                                     | *This is theoretical performance only. Actual performance may vary under different conditions |      |      |      |

## MASS (ESTIMATED)\*

|        |   |        |        |        |
|--------|---|--------|--------|--------|
|        | A   | B      | C      | D      |
| Front* | 4505kg  | 4365kg | 4407kg | 4340kg |
| Rear*  | 3505kg  | 3470kg | 3432kg | 3360kg |
| Total* | 8010kg  | 7835kg | 7839kg | 7700kg |
| Notes  | * Mass (est.) includes oil and water but excludes spare wheel, tools & fuel. Weights provided are subject to 3.5% variation (+/-) |        |        |        |

## DIMENSIONS (MM)

|  |      |
|--|------|
| Width Front Fender (mm)                          | 2490 |
| Width Rear Axle (mm)                             | 2470 |
| Width Front Track (mm)                           | 2055 |
| Width Rear Track (mm)                            | 1850 |
| Width Frame (mm)                                 | 840  |
| A - Length Overall (mm)                          | 7640 |
| B - Extreme Axle Spacing (mm)                    | 4960 |
| C - Front Overhang (mm)                          | 1370 |
| D - Wheelbase (mm)                               | 4300 |
| F - Rear Axle Spacing (mm)                       | 1320 |
| G - Front Axle to Rear of Cab (mm)               | 700  |
| H - Rear of Cab to Rearmost Item Behind Cab (mm) | 183  |
| I - Rearmost Item Behind Cab to Rear Axle (mm)   | 3417 |
| J - Frame, Rear Axle to End (mm)                 | 1970 |
| N - Height Overall (mm)                          | 3303 |
| O - Air Intake to Cab Roof (mm)                  | 205  |
| P - Height Cab to Ground (mm)                    | 3098 |
| Q - Height Cab to Frame (mm)                     | 2090 |
| R - Height Rear Frame to Ground (mm)             | 1058 |

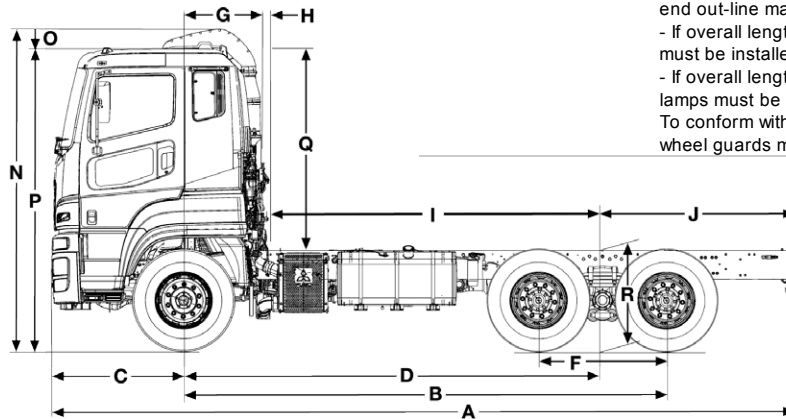
## BODY BUILDER'S NOTES

### Notes

Chassis reinforcement must be utilised for Tipper/Demountable type body configurations. To conform with ADR 13/00 (lighting requirements) the following must be adhered to at body installation.

- If other than a flat type or tipper body is fitted, rear end out-line marker lamps must be installed.
- If overall length exceeds 6.0 metres, side reflectors must be installed.
- If overall length exceeds 7.5 metres, side marker lamps must be installed.

To conform with ADR 42/04 (General Safety), rear wheel guards must be fitted to the vehicle.



# CALL 1300 429 134

or visit [fuso.com.au](http://fuso.com.au)

# FUSO

Unless specified in writing herein the accessories, applications, bodies or equipment depicted in this document are for illustration purposes only and may not be available from Daimler Truck and Bus Australia Pacific Pty Ltd. (ABN 86 618 413 282) (DTB). No representation or warranty whatsoever is given in relation to any accessories, applications, bodies or equipment or suitability of same that are shown herein that may be manufactured, supplied or fitted by a party other than DTB. DTB reserves the right without notice or obligation to discontinue or make changes to the colour, designs, materials and specifications of the products and options referred to herein at any time. For the most current information and in order to ascertain which accessories, applications, bodies and equipment are available from DTB please contact your authorised FUSO Truck and Bus dealer. Fuso is a registered trademark of Daimler Truck and Bus Australia Pacific Pty Ltd. Copyright DTB. Reproduction in whole or part prohibited without written approval. Part Number TSH51E-SSV3. Valid from 01-Mar-18.