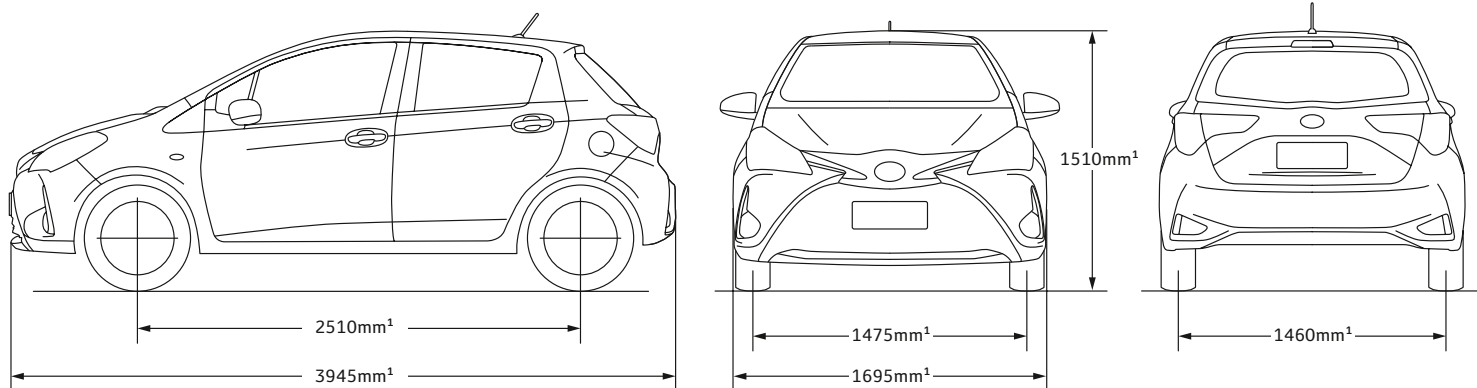


Yaris



MECHANICAL SPECIFICATIONS		Ascent	SX	ZR
Engine	Engine type	Petrol	Petrol	Petrol
	Engine description	1.3L VVT-i	1.5L VVT-i	1.5L VVT-i
	Valve train: Double Overhead Camshaft (DOHC) with 4 valves per cylinder	•	•	•
	Maximum power	63kW/6000rpm		
	Maximum power		80kW/6000rpm	80kW/6000rpm
	Maximum torque	120Nm/4600rpm		
	Maximum torque		141Nm/4400rpm	141Nm/4400rpm
Fuel	Fuel economy ² (M/T)	5.8L/100km	5.9L/100km	
	Fuel economy ²ⁿ (A/T)	6.4L/100km		
Transmission	5-speed manual	•	•	
	4-speed automatic	•	•	•
Capacities	Seating capacity	5	5	5
	Fuel tank capacity (litres)	42	42	42
Wheels	15" steel wheels	•	•	
	15" alloy wheels			•
Exterior	Front fog lamps		•	•
	Body coloured electric door mirrors	•	•	•
	Body coloured door handles	•	•	•
	Rear spoiler			•
	Heated electric door mirrors			•
	Halogen headlamps	•	•	
	Bi-LED headlamps with auto-levelling			•
Interior	Tilt and telescopic steering column	•	•	•
	Sport front seats			•
	60/40 split fold rear seats	•	•	•

MECHANICAL SPECIFICATIONS		Ascent	SX	ZR
Interior <i>Continued</i>	Power windows (front and rear)	•	•	•
	3-spoke urethane steering wheel	•		
	Premium 3-spoke steering wheel		•	
	Premium 3-spoke sports steering wheel			•
	Front and rear cup holders	•	•	•
	Accessory socket (front)	•	•	•
	Dual level glove box	•	•	•
	Two-tier boot deck board	•	•	•
Instruments and Controls	Multi Information Display (MID)	•	•	•
	Cruise control	•	•	•
	Manual air conditioning	•	•	
	Automatic climate control air conditioning			•
	Steering wheel audio and Bluetooth® ³ phone controls	•	•	
	Steering wheel audio, Bluetooth® ³ and voice recognition phone controls		•	•
Multimedia	6.1" colour touchscreen display	•	•	•
	Bluetooth® ³ hands-free connectivity	•	•	•
	USB input for portable audio players and mobile phones ⁴	•	•	•
	AUX audio input for portable audio players ⁴	•	•	•
	6 speakers	•	•	•
	Satellite navigation ⁵ with SUNA™ traffic channel ⁶		•	•
Safety	Vehicle Stability Control (VSC) and Traction Control (TRC)	•	•	•
	Anti-lock Braking System (ABS) with Electronic Brake-force Distribution (EBD) and Brake Assist (BA)	•	•	•
	7 SRS airbags	•	•	•
	Reversing camera	•	•	•
	Emergency Brake Signal	•	•	•
	Three child restraint anchorage points	•	•	•
	Toyota Safety Sense, including Lane Departure Alert (LDA), Automatic High Beam (AHB) and Pre-Collision Safety system (PCS) with pedestrian detection ⁷	Optional	Optional	•
Security	Engine immobiliser	•	•	•
	Wireless central locking	•	•	•

1 Vehicle weights/mass and dimensions are approximate and subject to individual vehicle variances. Vehicles should be individually weighed and measured before fitting any accessories, towing or designing any compatible trailer/caravan or otherwise using the vehicle in any way that depends on this value.

2 Achieved in test conditions. Actual fuel consumption may vary depending on driving conditions/style, vehicle condition and options/accessories fitted. Fuel consumption data provided for comparison purposes only. Source: ADR81/02 combined.

3 The Bluetooth® word mark is owned by Bluetooth SIG, Inc.

IMPORTANT NOTICE – PLEASE READ: Toyota Australia uses its best endeavours to ensure material is correct when published. Check with your authorised Toyota Dealer when ordering to ensure the vehicle with your chosen specifications, equipment and colour is available and can be delivered within the timeframe suitable to you. When ordering accessories, check with your authorised Toyota Dealer to ensure the accessory's design, features and colours are available and fit your vehicle. Ensure the mass of your load does not exceed the maximum allowable individual axle capacity,

Not all devices will be compatible and functionality varies depending on the device.

4 Not all devices will be compatible. Functionality varies depending on device.

5 Current navigation mapping database encompasses major capital and primary national road networks and offers some coverage in regional areas.

6 SUNA™ GPS Traffic Updates are only available in metropolitan Adelaide, Brisbane, Canberra, Gold Coast, Melbourne, Perth and Sydney; it operates from information provided by Intelomatics

Gross Vehicle Mass and/or Gross Combined Mass of the vehicle. Refer to toyota.com.au for further details. Colours displayed are a guide only and may vary from actual colours due to printing/display processes. Certain accessories when fitted will require the removal of standard equipment, which may be retained by Toyota Australia or your Toyota Dealer. Toyota Australia reserves the right to change, without notice, prices, colours, materials, equipment, specifications and discontinue colours/models. To the extent permitted by law, Toyota Australia will not be liable for any

Australia and may not cover all road incidents and congestion. See sunattraffic.com.au for details.

7 Pre-Collision Safety system with pedestrian detection is a driver assist feature only and not a substitute for safe driving practices. Driver remains responsible at all times for safe driving. Pedestrians may not be detected in certain conditions including low and harsh light, where partially obstructed from view, where clothing or movement obscures or affects body contours, persons under 1 metre or over 2 metres tall and where carrying or pushing large objects.

damage, loss or expense incurred as a result of reliance on this material in anyway. Distributed nationally (other than in Western Australia) by Toyota Motor Corporation Australia Limited ABN 64 009 686 097, 155 Bertie St, Port Melbourne 3207. Material distributed in Western Australia by or on behalf of Prestige Motors Pty Ltd (for vehicles) and by Eastpoint Pty Ltd (for parts/accessories). Toyota Australia makes no warranties regarding (and will not be liable for) accuracy of materials distributed in Western Australia. PROOF HQ: T2018-010308. GTP1833. VERSION: JULY 2018.