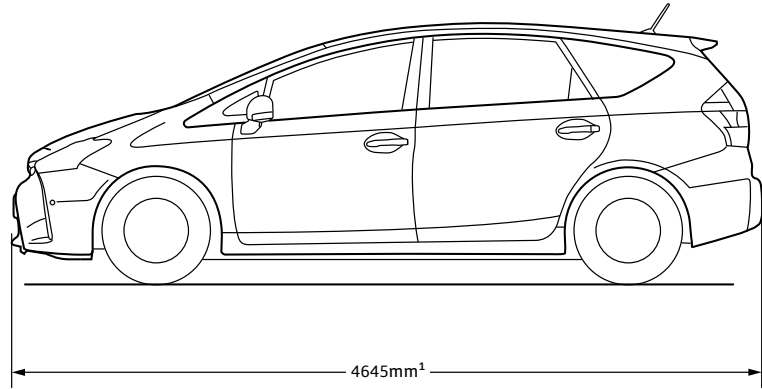
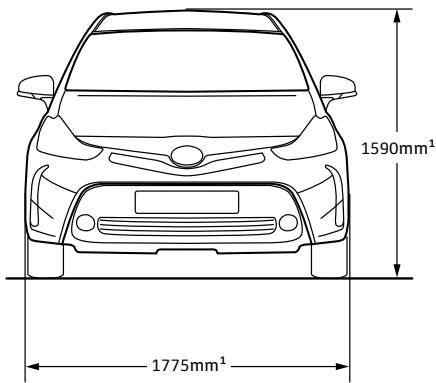


TOYOTA

Prius v



MECHANICAL SPECIFICATIONS		Prius v	Prius i-Tech®
Engine	Engine description	1.8L Atkinson Cycle 4-cylinder petrol engine	
	Maximum power/torque	73kW @ 5200rpm ² /142Nm @ 4000rpm ²	
	Combined system output	100kW ²	
Fuel Consumption	Fuel economy – combined cycle/emissions – combined CO ₂	4.4 L/100km ³ / 101g/km ³	
Transmission	Type	Continuously Variable Transmission (CVT)	
Steering and Brakes	Electric Power Steering (EPS) with tilt and reach adjustable steering wheel	•	•
	Regenerative braking system	•	•
Weights (Approximate)	Vehicle kerb weight ¹ (kg)	1505 - 1570 ¹	1505 - 1570 ¹
Seating	Capacity	7	7
Fuel Tank	Capacity (L)	45	45
Wheels	Size and type	16" alloy with full wheel cover (Plastic)	16" alloy with full wheel cover (Plastic)
Exterior	Auto-on/off halogen headlamps	•	
	Auto-on/off Bi-LED headlamps with automatic high beam		•
	Front and rear fog lamps	•	•
	Rear privacy glass and rear side sun shades	•	•
Interior	Three rows of seating with six seating configurations	•	•
	Panoramic roof (fixed) with power shade		•
	Heated front seats		•
	Black fabric and synthetic leather seats	•	
	Synthetic leather seats		•
Instruments and Controls	Smart entry and start system	•	•
	Automatic climate control air conditioning	•	•
	Active Cruise Control	•	•
	Head-Up Display (HUD)/Touch Tracer display	•	•
	Intelligent Park Assist (IPA)		•
	Auto-dimming rear view mirror		•

MECHANICAL SPECIFICATIONS		Prius v	Prius i-Tech®
Multimedia	6.1" colour touchscreen display, CD player, AM/FM tuner, AUX + USB input with iPod, ⁴ Bluetooth ⁵ hands-free connectivity and Voice Recognition	•	•
	Steering wheel mounted audio controls	•	•
	Speakers	8	8
	JBL premium sound system, digital radio (DAB+) ⁶ , satellite navigation ⁷ with SUNA traffic channel ⁸ and Toyota Link ⁹	•	•
Safety	Anti-lock Braking System (ABS) with Electronic Brake-force Distribution (EBD) and Brake Assist (BA), Vehicle Stability Control (VSC) with Traction Control (TRC) and Hill-start Assist Control (HAC)	•	•
	Reversing camera	•	•
	Toyota Safety Sense+, including Pre-Collision Safety system (PCS) with pedestrian detection, ¹⁰ Lane Departure Alert (LDA), Automatic High Beam (AHB), Active Cruise Control (ACC)	•	•
	Seven SRS airbags – including full side curtain airbag	•	•
	Three child seat restraint anchorage points and seatbelt warning indicator for all occupants	•	•

- Vehicle weights/mass and dimensions are approximate and subject to individual vehicle variances. Vehicles should be individually weighed and measured before fitting any accessories, towing or designing any compatible trailer/caravan or otherwise using the vehicle in any way that depends on this value.
- Power and torque test standards differ. Maximum combined engine and hybrid battery system and torque constantly available within a specified speed range (Toyota Australia in-house testing).
- Achieved in test conditions. Actual fuel consumption may vary depending on driving conditions/style, vehicle condition and options/accessories fitted. Fuel consumption data provided for comparison purposes only. Source: ADR81/02 combined cycle.
- iPod® is a trademark of Apple, Inc. Not all devices will be compatible and functionality will vary depending on the device.
- The Bluetooth® word mark is owned by Bluetooth SIG, Inc. Not all devices will be compatible and functionality varies depending on the device.
- Digital radio station coverage dependent on vehicle location.
- Current navigation mapping database encompasses major capital and primary national road networks and offers some coverage in regional areas.

IMPORTANT NOTICE – PLEASE READ:

Toyota Australia uses its best endeavours to ensure material is correct when published. Check with your authorised Toyota dealer when ordering to ensure the vehicle with your chosen specifications, equipment and colour is available and can be delivered within the timeframe suitable to you. When ordering accessories, check with your authorised Toyota dealer to ensure the accessory's design, features and colours are available and fit your vehicle. Ensure the mass of your load does not exceed the maximum allowable individual axle capacity, Gross Vehicle Mass and/or Gross Combined Mass of the vehicle. Refer to toyota.com.au for further details. Colours displayed are a guide only and may vary from actual colours due to printing/display processes. Certain accessories when fitted will require the removal of standard equipment, which may be

- SUNA™ GPS Traffic Updates are only available in metropolitan Adelaide, Brisbane, Canberra, Gold Coast, Melbourne, Perth and Sydney; it operates from information provided by Intelomatics Australia and may not cover all road incidents and congestion. Please see www.sunattraffic.com.au for details.
- Toyota Link is available on certain vehicle models and grades only. Toyota Link services rely on data from the driver's compatible mobile phone and information provided by third parties. Availability is dependent on a number of factors, including the availability of third party information, mobile service, sufficient mobile data allowance and GPS satellite signal reception. Mobile usage is at the user's cost. Toyota Australia reserves the right to add, remove or modify applications. Compatibility with smartphones will vary according to model and operating system. Further information (including smartphone compatibility) is provided at www.toyota.com.au/toyotalink
- Pre-Collision Safety system with pedestrian detection is a driver assist feature only and not a substitute for safe driving practices. Driver remains responsible at all times for safe driving. Pedestrians may not be detected in certain conditions including low and harsh light, where partially obstructed from view, where clothing or movement obscures or effects body contours, persons under 1 metre or over 2 metres tall and where carrying or pushing large objects.

retained by Toyota Australia or your Toyota dealer. Toyota Australia reserves the right to change, without notice, prices, colours, materials, equipment, specifications and discontinue colours/models. To the extent permitted by law, Toyota Australia will not be liable for any damage, loss or expense incurred as a result of reliance on this material in any way. Distributed nationally (other than in Western Australia) by Toyota Motor Corporation Australia Limited ABN 64 009 686 097, 155 Bertie St, Port Melbourne 3207. Material distributed in Western Australia by or on behalf of Prestige Motors Pty Ltd (for vehicles) and by Eastpoint Pty Ltd (for parts/ accessories). Toyota Australia makes no warranties regarding (and will not be liable for) accuracy of materials distributed in Western Australia. PROOF HQ: T2017-008864.GTP1785.FEBRUARY 2018.