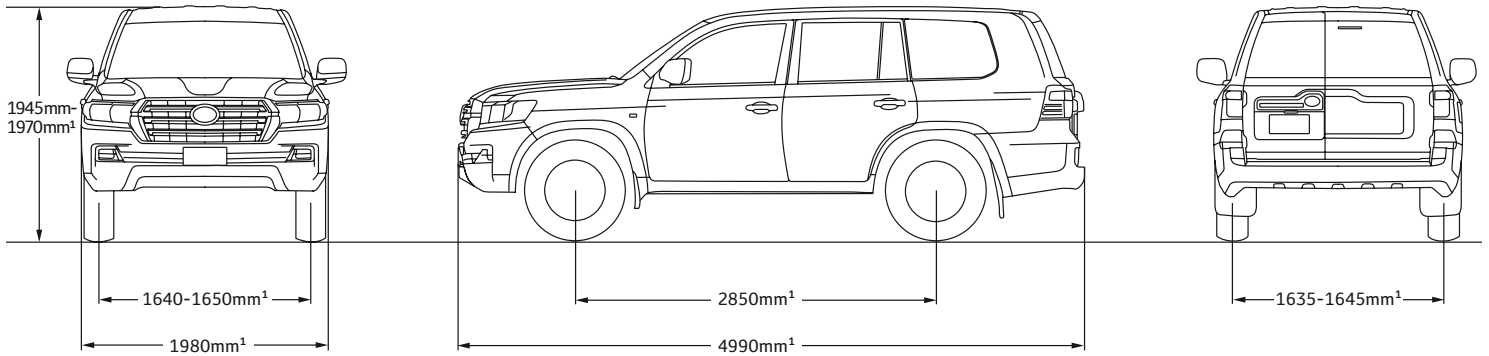


TOYOTA

LandCruiser 200



MECHANICAL SPECIFICATIONS		4.6L V8 Petrol	4.5L Twin Turbo diesel V8
Engine	Name	1UR-FE	1VD-FTV
	Displacement (cm ³)	4608	4461
	Max power ² (kW/rpm)	227/5500	200/3600
	Max torque ² (Nm/rpm)	439/3400	650/1600 – 2600
	Valve train	DOHC with Dual VVT-i	DOHC
	Fuel system	Multi-Point EFI	Common Rail Direct Injection
	Bore x Stroke (mm)	94 x 83	86 x 96
	Compression ratio	10.2:1	16.8:1
	Fuel economy (combined) ³	13.4L/100km	9.5L/100km
Transmission	Differential ratio	4,300:1	3,909:1
	Transmission type	Automatic 6-speed Electronic Control Transmission with Artificial Intelligence Shift Control and Sequential Shift	
	Transmission ratios	1st 3.333; 2nd 1.960; 3rd 1.353; 4th 1.000; 5th 0.728; 6th 0.588; Reverse 3.061	
	Transfer ratio high / low	1:1 / 2.618:1	
	Centre differential	Torsen Limited Slip Centre Differential	
	4x4 drive mechanism	Full time	
Steering	Type	Power assisted rack and pinion	
	Turning circle – kerb to kerb (m)	11.8	
Brakes	Front	340mm ventilated discs (GX and GXL); 354mm ventilated discs (VX and Sahara)	
	Rear	345mm ventilated discs	
Suspension	Front	Independent double wishbone with a coil spring, gas dampers and anti-roll bar	
	Rear	4-link coil rear suspension with Panhard rod with coil springs, gas dampers and anti-roll bar	

LANDCRUISER MODEL		GX Turbo diesel	GXL Petrol	GXL Turbo diesel	VX Petrol	VX Turbo diesel	Sahara Petrol	Sahara Turbo diesel
Weights (Approximate)	Kerb weight ¹ (kg)	2640	2740	2740	2740	2740	2740	2740
	Gross Vehicle Mass ¹ (GVM)(kg)	3350	3350	3350	3350	3350	3350	3350
	Gross Combined Mass ¹ (GCM) (kg)	6850	6850	6850	6850	6850	6850	6850
	Maximum roof load (kg)	200	200	200	200	200	200	200
Seating Capacity	Seating	5	8	8	8	7	8	7
Towing Capacity	With trailer brakes ⁴ (kg)	3500	3500	3500	3500	3500	3500	3500
	Without trailer brakes ⁴ (kg)	750	750	750	750	750	750	750
Fuel Tank Capacity	Main (93L) / Sub (45L)	138L	138L	138L	138L	138L	138L	138L
Exterior	LED headlamps with auto-levelling		•	•				
	Bi-Beam LED headlamps with LED Daylight Running Lamps (DRLs) with washers and Dynamic Auto-levelling				•	•	•	•
	Front fog lamps		•	•	•	•	•	•
	Power retractable exterior mirrors				•	•	•	•
	Privacy glass		•	•	•	•	•	•
	Side steps		•	•	•	•	•	•
	Rear barn doors	•						
	Power back door						•	•
	Spare tyre mounted underside of cargo floor	•	•	•	•	•	•	•
	LED Rear License Plate Illumination		•	•	•	•	•	•
Wheels	Tyre size	285/65R17	285/65R17	285/65R17	285/60R18	285/60R18	285/60R18	285/60R18
	Rim type	17" steel	17" alloy	17" alloy	18" alloy	18" alloy	18" alloy	18" alloy
Interior	Leather accented interior with Woodgrain-look highlights				•	•	•	•
	Vinyl floor covering	•						
	Premium steering wheel and gear lever		•	•	•	•	•	•
	Passenger assist grips and grab handles	•	•	•	•	•	•	•
	Drivers 6-way manual seat adjustment and power lumbar support	•	•	•				
	Power adjustable driver and front passenger seats and driver seat power lumbar support				•	•	•	•
	Ventilated front seats						•	•
	Front and second row outer heated seats						•	•
	Second row seat: 60/40 split folding seat backs	•	•	•				
	Second row seat: 40/20/40 split folding seat backs				•	•	•	•
Third row seat: side folding and 50/50 split seat backs		•	•	•	•	•	•	
Features	Air intake with pre-cleaner and snorkel	•		OPT		OPT		OPT
	Smart entry and start system		•	•	•	•	•	•
	Back Guide Monitor				•	•	•	•
	Manual air conditioning	•						
	Dual-zone front climate control air conditioning with rear cooler controls		•	•				
	4-zone front climate control air conditioning				•	•	•	•
	Power windows (all) with auto up/down (driver's only)	•						
	Power windows with auto up/down (all windows)		•	•	•	•	•	•
	Accessory power sockets: front (12V) and rear (220V)	Front only	•	•	•	•	•	•
	Rain sensing wipers				•	•	•	•
	3-position driver's seat memory						•	•
	Moonroof				•	•	•	•
	Dual 11.6" rear seat entertainment screens with remote, DVD player and 3 wireless headphones						•	•
	Cool box						•	•

LANDCRUISER MODEL		GX Turbo diesel	GXL Petrol	GXL Turbo diesel	VX Petrol	VX Turbo diesel	Sahara Petrol	Sahara Turbo diesel
Instruments and Controls	Cruise control	•	•	•	•	•		
	Active Cruise Control						•	•
	Premium steering wheel with audio, MID and telephone controls		•	•	•	•		
	Premium and woodgrain-look steering wheel with audio, MID and telephone controls						•	•
	Multi-Terrain Monitor (4 cameras)				•	•	•	•
	4.2" Multi Information Display (MID)		•	•	•	•	•	•
	Electro chromatic interior and exterior mirrors				•	•	•	•
Multimedia	Single disc CD player, MP3 ⁵ compatibility and AM/FM tuner	•						
	Single disc CD player with 6.1" LCD touchscreen, MP3 compatibility ⁶ , AM/FM tuner and digital radio ⁶		•	•				
	Electro Multi Vision (EMV) with 9" LCD touchscreen with digital radio ⁶ /AM/FM tuner				•	•	•	•
	3.5mm AUX ⁵ input for portable audio players				•	•	•	•
	USB input for some iPod ^{®7} /USB ⁵ memory sticks	•	•	•	•	•	•	•
	Bluetooth [®] connectivity ⁸	•	•	•	•	•	•	•
	Number of speakers	4	6	6	9	9	9	9
	Satellite navigation ⁹	•	•	•	•	•	•	•
4WD Technologies	Multi-Terrain Select				•	•	•	•
	Crawl control (Incorporating Off-road Turn Assist)	•	•	•	•	•	•	•
	Kinetic Dynamic Suspension System (KDSS)		•	OPT	•	•	•	•
Safety	Toyota Safety Sense with Lane Departure Alert (LDA), Pre-Collision Safety system (PCS) with pedestrian detection, ¹⁰ Automatic High Beam (AHB) and Active Cruise Control (ACC)						•	•
	Reversing camera		•	•	•	•	•	•
	Front and rear parking sensors		•	•	•	•	•	•
	Vehicle Stability Control (VSC)	•	•	•	•	•	•	•
	Active Traction Control (A-TRC)	•	•	•	•	•	•	•
	Blind Spot Monitor (BSM) with Rear Cross Traffic Alert (RCTA)				•	•	•	•
	Hill-start Assist Control (HAC)	•	•	•	•	•	•	•
	Multi-Terrain Anti-lock Braking System (ABS)	•	•	•	•	•	•	•
	Driver and front passenger SRS frontal, knee, first row side and first and second row curtain airbags	•	•	•	•	•	•	•
	Second row side airbags				•	•	•	•
	Third row curtain airbags		•	•	•	•	•	•
	Child restraint anchorage points x3	•	•	•	•	•	•	•
	Luggage tie down hooks	•	•	•	•	•	•	•
Security	Engine immobiliser and alarm (Alarm not available on the GX Turbo diesel)	•	•	•	•	•	•	•

1 Vehicle weights/mass and dimensions are approximate and subject to individual vehicle variances. Vehicles should be individually weighed and measured before fitting any accessories, towing or designing any compatible trailer/caravan or otherwise using the vehicle in any way that depends on this value.

2 Power and torque test standards differ. Ensure comparisons use same test standard.

3 Achieved in test conditions. Actual fuel consumption may vary depending on driving conditions/style, vehicle condition and options/accessories fitted. Fuel consumption data provided for comparison purposes only. Source: ADR81/02 combined.

4 Towing capacity is subject to regulatory requirements, tow bar and vehicle design and towing equipment limitations. Ask your Dealer for Toyota Genuine tow bar capacity and availability details.

5 Not all devices will be compatible and functionality will vary depending on the device

6 Digital radio station coverage dependent on vehicle location.

7 iPod[®] is a trademark of Apple, Inc. Not all devices will be compatible and functionality will vary depending on the device.

8 The Bluetooth[®] word mark is owned by Bluetooth SIG, Inc. Not all devices will be compatible and functionality varies depending on the device.

9 Current navigation mapping database encompasses major capital and primary national road networks and offers some coverage in regional areas.

10 Pre-Collision Safety system with pedestrian detection is a driver assist feature only and not a substitute for safe driving practices. Driver remains responsible at all times for safe driving. Pedestrians may not be detected in certain conditions including low and harsh light, where partially obstructed from view, where clothing or movement obscures or affects body contours, persons under 1 metre or over 2 metres tall and where carrying or pushing large objects.

IMPORTANT NOTICE – PLEASE READ: Toyota Australia uses its best endeavours to ensure material is correct when published. Check with your authorised Toyota Dealer when ordering to ensure the vehicle with your chosen specifications, equipment and colour is available and can be delivered within the timeframe suitable to you. When ordering accessories, check with your authorised Toyota dealer to ensure the accessory's design, features and colours are available and fit your vehicle. Ensure the mass of your load does not exceed the maximum allowable individual axle capacity, Gross Vehicle Mass and/or Gross Combined Mass of the vehicle. Refer to toyota.com.au for further details. Colours displayed are a guide only and may vary from actual colours due to printing/display processes. Certain accessories when fitted will require the removal of standard equipment, which may be retained

by Toyota Australia or your Toyota Dealer. Toyota Australia reserves the right to change, without notice, prices, colours, materials, equipment, specifications and discontinue colours/models. To the extent permitted by law, Toyota Australia will not be liable for any damage, loss or expense incurred as a result of reliance on this material in any way. Distributed nationally (other than in Western Australia) by Toyota Motor Corporation Australia Limited ABN 64 009 686 097, 155 Bertie St, Port Melbourne 3207. Material distributed in Western Australia by or on behalf of Prestige Motors Pty Ltd (for vehicles) and by Eastpoint Pty Ltd (for parts/ accessories). Toyota Australia makes no warranties regarding (and will not be liable for) accuracy of materials distributed in Western Australia. T2018-010878. GTO1967. OCTOBER 2018.