

NEW DAILY 50C CAB CHASSIS

BUSINESS INSTINCT ↗



Overseas Model Shown



OFFICIAL TEAM TRANSPORTER

IVECO

Your partner for sustainable transport

DAILY SPECIFICATIONS 50C CAB CHASSIS

DIMENSIONS (mm)

| X | Wheelbase | 3000 | 3450 | 3750 | 4100 | 4350 | 4750 |
|---|--------------------------------------|-------|-------|-------|-------|-------|-------|
| K | Overall length | 5378 | 5943 | 6553 | 6953 | 7373 | 8238 |
| M | Body Length | 2960 | 3525 | 4135 | 4535 | 4955 | 5820 |
| H | Overall height unladen | 2283 | 2276 | 2270 | 2264 | 2263 | 2258 |
| | Front track | 1724 | 1724 | 1724 | 1724 | 1724 | 1724 |
| | Rear track | 1542 | 1542 | 1542 | 1542 | 1542 | 1542 |
| T | Unladen frame height at end of frame | 820 | 820 | 820 | 820 | 820 | 820 |
| | Front ground clearance | 196 | 196 | 196 | 196 | 196 | 196 |
| | Rear ground clearance | 177 | 177 | 177 | 177 | 177 | 177 |
| Y | Rear overhang | 1370 | 1485 | 1795 | 1845 | 2015 | 2480 |
| | Turning circle: kerb to kerb | 11116 | 12526 | 13466 | 14564 | 15348 | 16604 |
| | Turning circle: wall to wall | 11730 | 13146 | 14090 | 15190 | 15976 | 17234 |

BODY DIMENSIONS (mm)

| | | | | | | |
|--------------------|------|------|------|------|------|------|
| Maximum body width | 2350 | 2350 | 2350 | 2350 | 2350 | 2350 |
|--------------------|------|------|------|------|------|------|

MASS (kg)

| GVM/GCM | 4495/7995 | 4495/7995 | 4495/7995 | 4495/7995 | 4495/7995 | 4495/7995 |
|-------------------------------------|----------------|----------------|----------------|----------------|----------------|----------------|
| GVM/GCM (Option) | 5200/8700 | 5200/8700 | 5200/8700 | 5200/8700 | 5200/8700 | 5200/8700 |
| Towing capacity with braked trailer | 3500 | 3500 | 3500 | 3500 | 3500 | 3500 |
| Front axle capacity | 2100 | 2100 | 2100 | 2100 | 2100 | 2100 |
| Rear axle capacity | 3700 | 3700 | 3700 | 3700 | 3700 | 3700 |
| Kerb mass front axle | 1381 | 1406 | 1412 | 1432 | 1439 | 1450 |
| Kerb mass rear axle | 638 | 643 | 649 | 650 | 657 | 670 |
| Kerb mass total* | 2019 | 2049 | 2061 | 2082 | 2096 | 2120 |
| Payload capacity | 2476 3181** | 2446 3151** | 2434 3139** | 2413 3118** | 2399 3104** | 2375 3080** |

* Kerb masses are with minimal fuel, spare wheel, tools and no driver.

** Option.

ENGINE

170 hp IVECO FIC (EURO 5) 4 stroke diesel with direct-injection, Variable Geometry Turbocharger (VGT) and intercooler

Maximum Output: 170 hp @ 2900–3500 rpm

Maximum Torque: 430 Nm @ 1500–2600 rpm

Emissions Technology: Exhaust Gas Recirculation system

Total Displacement: FIC: 3.0 litre

Exhaust: Muffler horizontally positioned on the right side and tailpipe located mid-way down right side of vehicle

Optional Engine: 205 hp IVECO FIC (EURO 5) 4 stroke diesel with direct-injection, Twin Stage Turbo (TST) and intercooler

Maximum Output: 205 hp @ 3100–3500 rpm

Maximum Torque: 470 Nm @ 1400–3000 rpm

TRANSMISSION

6-speed Synchronesh Overdrive Manual

Type: 2840.6 OD (170 hp)

1st 5.375, 2nd 3.154, 3rd 2.041, 4th 1.365, 5th 1.000, 6th 0.791 OD, Rev.4.838

Type: 2850.6 DOD (205 hp)

1st 4.655, 2nd 2.48, 3rd 1.44, 4th 1.000, 5th 0.796 OD, 6th 0.685 DOD, Rev. 4.189

Optional Transmission: 8-speed ZF Torque Converter Automatic (Hi-Matic)

Type: 8V470A (170 hp / 205 hp)

1st 4.696, 2nd 3.130, 3rd 2.104, 4th 1.667, 5th 1.285, 6th 1.000, 7th 0.839 OD, 8th 0.667 DOD, Rev. 3.297

STEERING

Type: Power steering

Diameter: 390 mm diameter steering wheel with telescopic adjustment

CLUTCH

Type: Single dry plate hydraulic control

Diameter: 280 mm (170 hp) / 305 mm (205 hp)

FRONT AXLE & SUSPENSION

Capacity: 2100 kg

Suspension Type: Independent with adjustable steel torsion bar

REAR AXLE & SUSPENSION

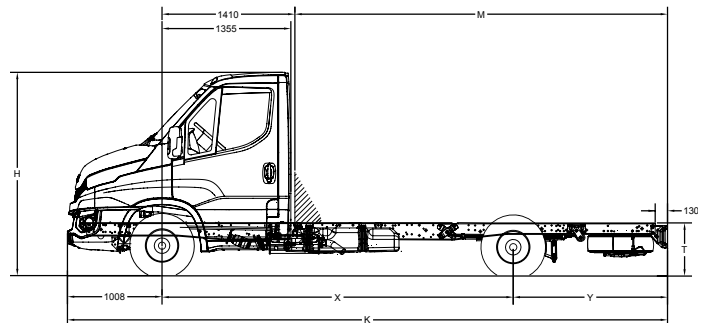
Capacity: 3700 kg

Suspension Type: Semi-elliptical spring

Rear Axle Ratio: 3.91:1 (170 hp) / 3.60:1 (205 hp)

Optional Suspension: ECAS – Rear air suspension

Optional Differential: Driver Controlled Differential Lock



BRAKES

Type: ESP 9 + ABS + ASR 9 with EBD (Electronic Brakeforce Distribution) and Hill Holder

Front / Diameter: Disc brakes / 290 mm

Rear / Diameter: Disc brakes / 290 mm

Parking Brake: Manual brake operating on rear axle

Service Brakes: Dual circuit with vacuum servo

Pad wear warning light for front and rear brakes

FUEL SYSTEM

100 litres with fuel cap location on passenger side

ELECTRICAL SYSTEM

Type: 12 Volt

Battery: 12 Volt–110 Ah

Smart Alternator: 12 Volt–180 A

Trailer wiring to rear of chassis

CHASSIS

Type: C Section steel longitudinal side members with tapered ends and tubular cross members

WHEELS & TYRES

Wheels: Steel 5J x R16

- Spare wheel included
- Dual rear wheels

Tyre Size: 195/75 R16

CABIN FEATURES

- Driver, passenger and curtain airbags with seat belt pretensioners
- Fixed driver seat
- Dual bench passenger seats with headrests, extractable table and storage underneath
- Cruise control
- Electric windows
- Exterior mirrors with integrated wide angle and direction indicators, heated and electronically adjustable
- Overhead console with storage shelf and space for additional equipment
- Large dual storage pockets in doors
- Document storage compartment
- Body builder connections
- Additional in-dash storage
- Manual air conditioning

LIGHTS

- Day time running lights

DASHBOARD

- Analogue electronic speedometer
- Analogue electronic tachometer
- Fuel level gauge with reserve light indicator
- Coolant temperature gauge with high temperature indicator light
- Instrument light dimmer switch
- Dash-mounted gear lever
- 3 storage areas on top of dash
- LCD Display Panel includes: odometer, trip computer with distance, time, fuel consumption etc; headlamp orientation, clock, external temperature and service indicator
- MP3 player, USB and AUX connectivity, Bluetooth with steering wheel controls

SECURITY

- Central locking with remote control
- Steering lock
- Engine immobiliser

DAILY OPTIONAL UPGRADE PACKS AVAILABLE[^]

BUSINESS PREMIUM PACK

The IVECO Business Premium Pack provides Daily owners with additional equipment designed to make their work life easier and more efficient.

Building on the Daily's already generous standard equipment list, the Business Premium Pack includes items such as reverse buzzer, IVECONNECT multimedia system with GPS and integrated fog lights.

Ideal for courier and pick-up and delivery work, the Business Premium Pack further increases the functionality of the Daily as a workhorse and business tool.



REVERSE BUZZER

Let pedestrians know you're there when reversing into loading bays.



FOG LIGHTS

Improved visibility in poor light for driver and other road users.



IVECONNECT MULTIMEDIA + GPS

Entertainment and the functionality of satellite navigation at the finger tips.

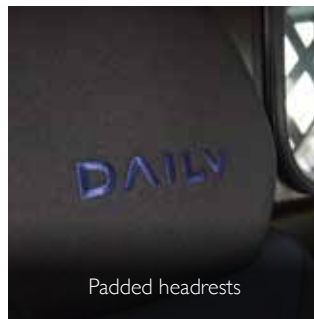
Overseas Model Shown

COMFORT PACK

Owners wanting to combine the functionality of the Business Premium Pack with additional equipment can select the Comfort Pack for their Daily.

The Comfort Pack is equipped with padded headrests, ensuring every drive and drop-off is as comfortable as the first.

Further adding to the interior comfort level is a leather steering wheel and an automatic climate control system that provides easy and accurate graduation of temperature, to create an ideal driving environment.



Padded headrests



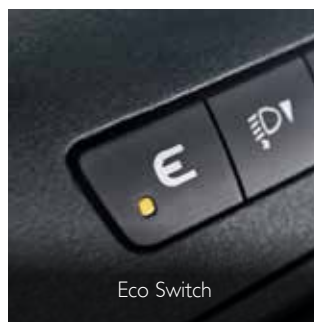
Automatic climate control

EFFICIENCY PACK

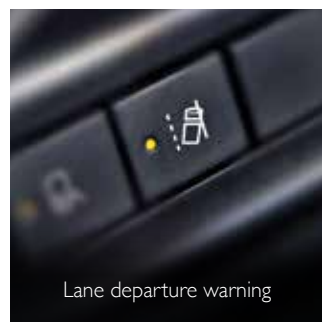
The Daily Efficiency Pack includes features that help cut the costs of running your van and make every drive more affordable and efficient.

Combining the well-known fuel efficiency of the Daily's range of engines, the Eco Switch function when selected changes gears at lower rpm to reduce fuel consumption. Also included is an instrument cluster engine oil level reading, allowing the driver to monitor the oil level without opening the bonnet.

Keeping drivers on the straight and narrow is the Daily's LDWS (Lane Departure Warning System) for safe and decisive lane changes in heavy traffic, to have drivers at their destinations faster.



Eco Switch



Lane departure warning

Dash mounted Eco Switch is only available with Manual Transmission and a 170 hp engine. Eco Mode is standard with the Automatic Transmission lever.

[^] ALL PACKS ARE AVAILABLE SEPARATELY. PACK CONTENT MAY VARY SLIGHTLY DEPENDING ON THE DAILY MODEL SELECTED.

DAILY OPTIONAL UPGRADES

| | 50C17 CAB 3000 MM | 50C17 CAB 3450 MM | 50C17 CAB 3750 MM | 50C17 CAB 4100 MM | 50C17 CAB 4350 MM | 50C17 CAB 4750 MM |
|-------------------------------------|---|-------------------|-------------------|-------------------|-------------------|-------------------|
| FIC 3000cc Engine – 205 hp – 470 Nm | ○ | ○ | ○ | ○ | ○ | ○ |
| Hi-Matic ZF Automatic Transmission | ○ | ○ | ○ | ○ | ○ | ○ |
| ECAS Rear Air-Suspension | ○ | ○ | ○ | ○ | ○ | ○ |
| Differential Locks | ○ | ○ | ○ | ○ | ○ | ○ |
| Expansion Module | ○ | ○ | ○ | ○ | ○ | ○ |
| 5.2 Tonnes Re-Rating | ○ | ○ | ○ | ○ | ○ | ○ |
| Factory Fitted 3-Way Tipper | NA | ○ | NA | NA | NA | NA |
| Driver Seat | Heated, suspended, adjustable with lumbar support and armrest | | | | | |
| Passenger Seat | Heated, suspended, adjustable with lumbar support and armrest | | | | | |

○ – Optional NA – Not Applicable



205 hp shown



IVECO TRUCKS AUSTRALIA, LIMITED AB N. 86 004 065 061. PRICES, HWY DANDEONG, VICTORIA 3175 TELEPHONE (03) 9238 2200 WWW.IVECO.COM AU THE INFORMATION IN THIS DOCUMENT WAS CORRECT AT THE TIME OF PRINTING. ALL WEIGHTS AND DIMENSIONS ARE APPROXIMATE ONLY IF AN EXACT WEIGHT OR DIMENSION IS REQUIRED PLEASE CONTACT YOUR LOCAL AUTHORISED IVECO DEALER ALWAYS CONSULT AN AUTHORISED IVECO DEALER FOR THE LATEST INFORMATION ON THE VEHICLE BEFORE DECIDING TO PLACE AN ORDER. OVERSEAS IMAGES ARE SHOWN THROUGHOUT THIS DOCUMENT. IMAGES IN THIS DOCUMENT MAY SHOW EQUIPMENT NOT INCLUDED IN THE STANDARD VEHICLE AND ARE SUBJECT TO AVAILABILITY. WE RESERVE ANY PART OF THIS DOCUMENT WITHOUT NOTICE. IVECI 2006_09/18