

EUROCARGO EEV MLI20 THE TRUCK THE CITY LIKES



Overseas Model Shown



OFFICIAL TEAM TRANSPORTER

IVECO

Your partner for sustainable transport

EURO CARGO

SPECIFICATIONS EEV MLI20

DIMENSIONS (MM)

Cab	Day	Sleeper
VVB	5175	5670
AF	2685	3000
L	9222	10032
CF	7440	7670
H (unladen)	2683	2677
HI (unladen)	–	3337
D (unladen)	893	893
Turning circle* (kerb to kerb)	17740	19260

* For wall to wall, add 1180 mm

MASS (KG)

Cab	Day	Sleeper
Kerb mass front axle	3064	3192
Kerb mass rear axle	1529	1586
Kerb mass total**	4593	4778
GVM	12T	12T
GCM	N/A	N/A

**approximate only, with low roof, cab chassis with oil and coolant, 10 litres of fuel and without driver

ENGINE

250 hp IVECO Tector 6 (F4A) (5.88 litre 6 cylinders) high pressure common rail electronic injection, turbo charged and intercooled 24 valve four stroke diesel

Maximum Output: 250 hp @ 2,700 rpm

Maximum Torque: 850 Nm @ 1,250 rpm

Emission Standard: Euro 5 (EEV) SCR (Selective Catalytic Reduction)

TRANSMISSION

9-speed ZF 9S 75 TO Manual

1st 9,56 : 1, 2nd 6,47 : 1, 3rd 4,72 : 1, 4th 3,50 : 1, 5th 2,54 : 1, 6th 1,85 : 1, 7th 1,35 : 1, 8th 1,00 : 1, 9th 0,73 : 1, Reverse 8,53 : 1

Optional Transmission: Allison S3000 5-speed Automatic

STEERING

Type: Power-assisted with gear-driven pump

Diameter: 470 mm steering wheel with tilt + telescopic adjustment

CLUTCH

Type: Single dry plate with mechanical / hydraulic release

Diameter: 395 mm

FRONT AXLE & SUSPENSION

IVECO 5860

Capacity: 4480 kg

Suspension Type: Parabolic springs with dual-action hydraulic shock absorbers and stabiliser bar fitted

REAR AXLE & SUSPENSION

Meritor MS10-144 with differential lock

Capacity: 8480 kg

Suspension Type: Two bellows, rear air bag suspension with dual-action hydraulic shock absorbers. Electronically Controlled Air Suspension (ECAS) including dual-rear levelling valves

Rear Axle Ratio: 3.90:1 (Manual transmission), 4.11:1 (Allison Automatic transmission)

BRAKES

Type: ESP + ABS + ASR with 2 circuit air system

Front / Diameter: Ventilated disc brakes / 377 mm with floating calipers

Rear / Diameter: Ventilated disc brakes / 377 mm with floating calipers

Parking Brake: Spring-actuated brake acting on rear wheels

Other: Exhaust brake and air dryer

FUEL SYSTEM

280 litre square alloy tank and 25 litre AdBlue tank

- Fuel prefilter with water separator

ELECTRICAL

Type: 24 Volt

24 Volt-12 Volt converter in cab

Alternator Capacity: 28V, 90 amp

Starter: 24 Volt, 4.0 kW

Battery: 2 x 12 Volt-170 Ah

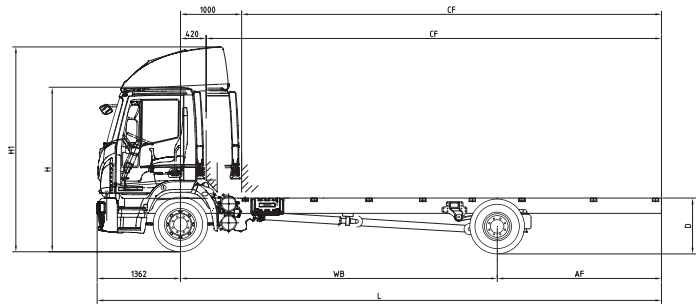
Automatic battery isolation switch

CHASSIS

Type: Bolted parallel channel

Size: 253.4 x 70 x 6.7 mm

Width: 853 mm



WHEELS & TYRES

Rim Size: 19.5" x 6.75"

Tyre Size: 265/70 R19.5 tubeless radial

Stud / Pattern: M22, 8 x 275 mm PCD steel disc rims

CAB

Type: Forward-control (MLC) Day cab treated with anti corrosion protection

Optional Cab: (MLL) Sleeper cab low roof with bunk, curtains, reading lamp, roof hatch and one internal and two external lockers

Bunk Dimensions: 1900 x 605 x 95 mm

Cab colour bumper

Front Cab Suspension: Two coil springs, shock absorbers and torsion bar

Rear Cab Suspension: Two units with coils springs. Hydraulic cab tilt to 57 degrees

FEATURES

- ECE R29 compliant cab
- LED DRL (Daytime Running Lights)
- Sun filter windscreen
- 2 USB plugs
- Cards/coins holder
- Expansion module
- Lift-up front panel for daily checks
- Fully-adjustable Isringhausen driver's air-suspension seat with headrest
- Dual bench-passenger seat
- 2 x lap-sash seat belts for outboard positions, 1 x lap seat belt for centre position
- Bluetooth radio and CD player
- 90-degree opening doors
- Remote Central Locking
- Cruise control
- Stowage compartment in overhead console, both doors and rear cab wall
- 2-speed wipers with intermittent control
- Courtesy and map lamps
- Electric horn
- 12-volt power socket (10 amp)
- Electrically operated driver and passenger side windows
- Aerodynamic, remote-control heated mirrors with a convex, spotter and over-the-kerb mirror on the left-hand side
- Air conditioning

INSTRUMENTATION

Electronic anti-glare instrument panel

Gauges: Speedometer, odometer with trip meter, tachometer, water temperature, fuel level, oil pressure and air pressure

Warning Lamps: Power-steering circuit failure, front and rear brake wear, high water temperature, air-cleaner restriction, cab unlatched, low alternator charge, high beam, exterior lights on, hazard warning lights on, low oil pressure, reserve fuel, park brake on, water in pre-filter, brake system failure

LCD Information Panel: System diagnostics, lighting system check, AdBlue level indicator, programmable maintenance scheduling, digital clock, trip 1 and 2 computer, fuel consumption indicator and ambient temperature

OPTIONS:

- High roof on sleeper cab
- Fridge
- Air suspended single passenger seat
- Central office box (with single passenger seat in day cab only)
- Electric servo assisted cab tilt
- External sun visor