

LF

290

Specification sheet

FAP 6X2 Rigid, 23.5t Chassis/Body



ENGINE

LF 290 PX-7 (217 kW / 295 hp)

GVM

23,500 kg

Max. front 7,500 kg

Max. rear 20,000 kg

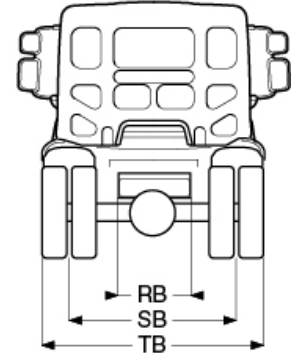
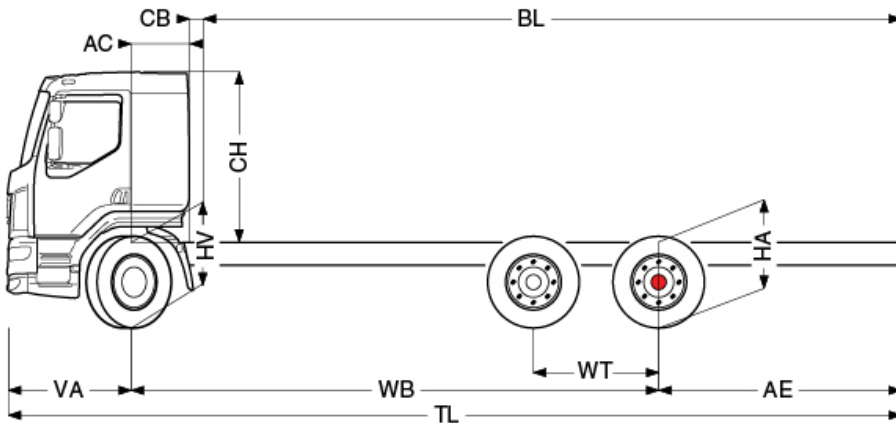
GCM

23,500 kg

THE NEW LF
PURE EXCELLENCE

DAF

LF 290



	Wheelbase – AE		Unladen Weight ¹⁾			Variable Dimensions								
	WB	AE	Front	Rear	Total	AC	CB	CH ²⁾	BL	TL	HA ³⁾	HA ⁴⁾	TK ⁵⁾	TW ⁶⁾
SLEEPER	6.90	3.00	3560	3240	6800	0.63	0.22	1.88	9.05	11.28	1.00	0.98	22.43	23.65
OTHER DIMENSIONS			VA: 1.375	WT: 1.391	HV ⁷⁾ : 1.00	HV ⁸⁾ : 0.93	RB: 0.79	SB: 1.82	TB ⁹⁾ : 2.47					

1. Chassis and cab weight calculated with: Standard specification items only, less fuel, AdBlue and driver, tolerance $\pm 3\%$. Changing of the specification can have major impact on vehicle weight.
2. Cab height is measured from frame member to closed cab roof hatch.
3. Unladen height at centre of driven axle(s).
4. Laden height at centre of driven axle(s).

5. TK is turning circle between curbs.
6. TW is turning circle between walls.
7. Unladen height at centre of front axle(s).
8. Laden height at centre of front axle(s).
9. TB is overall width at rear. (At centre of front axle 250).

Note: All dimensions are in metres (m) and weights in kilograms (kg).

CAB EXTERIOR

Sleeper Cab with steel bumper; Tinted glass and electric windows; Main mirrors and wide angle mirrors electrically adjustable and heated; Day time running lights; Fog lights and cornering lights.

AERODYNAMICS

- Side collars
- Adjustable roof spoiler

COLOURS

Cab colour M8870 White; Head lamp panel and bumper colour M8870 White; Chassis colour black.

CAB INTERIOR

Driver seat: air suspended; Co-driver seat: fixed velour; Pneumatically adjustable steering column; Air conditioning.

COMMUNICATION AND DRIVING MANAGEMENT

AM/FM Premium Audio System with CD player; FMS connector prepared.

Optional

- Integrated TruckPhone

SAFETY AND SECURITY

Adaptive Cruise Control (ACC); Forward Collision Warning (FCW); Advanced Emergency Braking System (AEBS); Lane Departure Warning System (LDWS); Vehicle Stability Control (VSC); Protective cab suspension and construction; Air bag (driver) and 2 seat belt tensioners; Reverse warning; Basic engine immobiliser system.

SUSPENSION AND AXLES

Front axle type 152N, 100 mm vertical offset. Parabolic leaf suspension with shock absorbers and stabiliser. Max. load 7.5t; Single reduction driven rear axle type SR1132 and Weweler pusher axle with air suspension, including shock absorbers and stabiliser. Max. load 20t.

WHEELS AND TYRES

Front axle 1: 295/80R22.5; Rear axles 1: 295/80R22.5; Wheel protection rings silver/grey.

Optional

- Alcoa Brushed alloy wheels
- Alcoa Dura-Bright alloy wheels

DRIVELINE

Engine PX-7; 6 cylinder diesel engine, 6.7 litres; Output 217 kW (295 hp) at 2,300 rpm; Maximum torque 1,100 Nm at 1,000-1,700 rpm; Exhaust emission Euro 6; engine idle shut down after 5 minutes; AS Tronic gearbox; 12 speeds; Gearbox ratio 10.37-0.81; Rear axle ratio 4.10.

BRAKE SYSTEM

Exhaust Brake; Park brake control with test position; Ventilated disc brakes front and rear; Dual circuit air system with electronic control (EBS).

CHASSIS

Wheelbase 6.90 m, rear overhang 3.00 m; Side member height 270 mm; EAS unit right side; Aluminium fuel tank 430 l; Spray suppression; Front underrun protection (FUP); AdBlue tank 50 l; LED rear lights.

BODIES AND PREPARATIONS FOR BODYING

BodyBuilder Module (BBM); Application connector to chassis; Standard body attachment hole pattern.

POWER TAKE-OFF (PTO)

Various PTO types and positions.

ELECTRICAL POWER SUPPLY

Alternator 80 A; Batteries 2x 175 Ah.

GVM AND GCM

Chassis weight related technical GVM max 23,500 kg; Driveline related max GCM 23,500 kg.

APPLICATION CONDITIONS

Moisture separator, unheated; Air intake, high.

VEHICLE DELIVERY

Standard toolkit.

VEHICLE WARRANTY

Three (3) years or 200,000 km complete vehicle warranty, whichever comes first.



SLEEPER CAB

DAF Trucks Australia
66 Canterbury Road Bayswater VIC 3153
Phone (03) 9721 1600