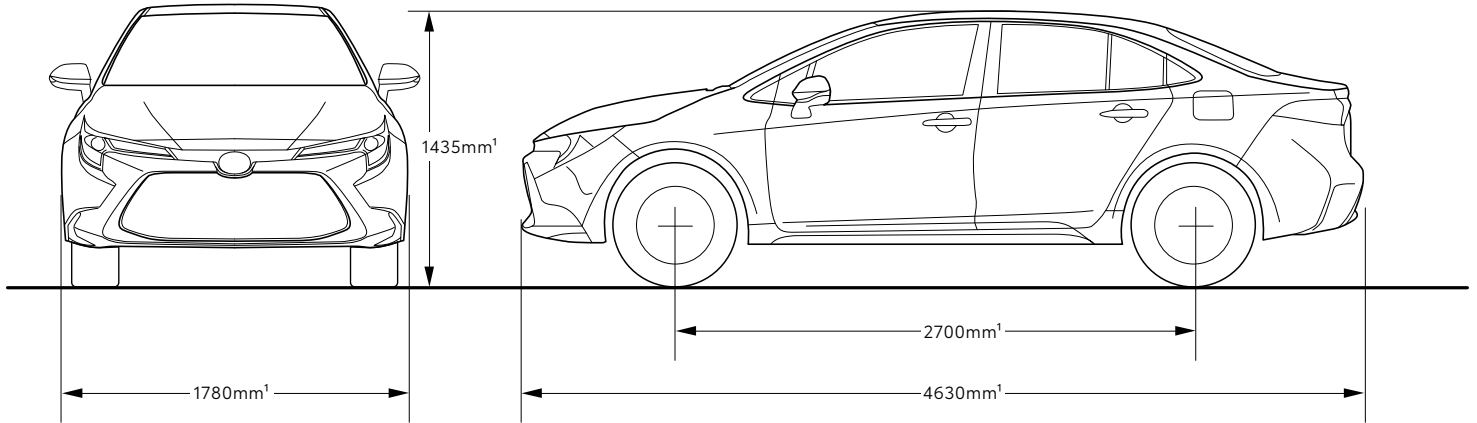


Corolla Sedan



| MECHANICAL SPECIFICATIONS | | Ascent Sport | Ascent Sport Hybrid | SX | SX Hybrid | ZR |
|--------------------------------------|--|--|---------------------|-------------|-------------------|-------------|
| ENGINE | 2.0L 4-cylinder Dynamic Force Dual VVT-i petrol engine | • | | • | | • |
| | 1.8L 4-cylinder VVT-i engine with Toyota Hybrid system | | • | | • | |
| | Max power (kW)/Max torque (Nm) | 125kW/200Nm | 72kW/142Nm | 125kW/200Nm | 72kW/142Nm | 125kW/200Nm |
| FUEL | Fuel economy ² | 6.5L/100km manual / 6.0L/100km auto-CVT | 3.5L/100km | 6.0L/100km | 3.5L/100km | 6.0L/100km |
| | Recommended fuel octane rating | 91 | 91 | 91 | 91 | 91 |
| TRANSMISSION | 6-speed intelligent Manual Transmission (iMT) | • | | | | |
| | Direct Shift Continuously Variable Transmission (auto-CVT) | • | | • | | • |
| | Continuously Variable Transmission (auto-CVT) | | • | | • | |
| BRAKES | Front and rear | Front ventilated disc brake and rear solid disc brake | | | | |
| | Electronic Park Brake | • | • | • | • | • |
| | Regenerative braking system | | • | | • | |
| SUSPENSION | Suspension | Macpherson strut type front suspension and trailing wishbone rear suspension | | | | |
| WEIGHTS AND CAPACITIES (APPROXIMATE) | Braked towing capacity ³ (kg) | 1300 | N/A | 1300 | N/A | 1300 |
| | Unbraked towing capacity ³ (kg) | 450 | N/A | 450 | N/A | 450 |
| | Vehicle kerb weight ¹ (kg) | 1335-1380 (manual)/ 1365-1375 (auto-CVT) | 1375-1385 | 1375-1415 | 1375-1385 | 1375-1415 |
| | Gross vehicle weight ¹ (kg) | 1845 | 1775 | 1845 | 1775 | 1845 |
| | Seating capacity | 5 | 5 | 5 | 5 | 5 |
| | Fuel tank capacity ¹ (L) | 50 | 43 | 50 | 43 | 50 |
| WHEELS | Design and size | 16" alloy | 15" with aero cap | 16" alloy | 15" with aero cap | 18" alloy |
| | Spare wheel | Full size alloy | Temporary | Temporary | Temporary | Temporary |
| EXTERIOR | Bi-LED headlamps | • | • | • | • | • |
| | LED Daytime Running Lamps | • | • | • | • | • |
| | LED tail lamps | • | • | • | • | • |
| | Rear LED fog lamps | • | • | • | • | • |
| | Heated door mirrors | • | • | • | • | • |
| | Rain sensing wipers | | | | | • |
| INTERIOR | Premium steering wheel and gear lever | | | • | • | • |
| | Front bucket seats | • | • | • | • | |
| | Sports front bucket seats | | | | | • |
| | 8 way power adjustable driver's seat | | | | | • |
| | Heated driver and passenger front seats | | | | | • |
| | Synthetic leather accented interior | | | | | • |
| | Driver's seat lumbar support | | | | | • |
| | Intelligent ambient illumination | | | | | • |
| | Auto-dimming rear view mirror | | | | | • |
| | Front and rear auto power operation windows | • | • | • | • | • |
| | 60/40 split fold rear seats | • | • | • | • | • |
| | Folding rear seat centre armrest | • | • | • | • | • |

| MECHANICAL SPECIFICATIONS | | Ascent Sport | Ascent Sport Hybrid | SX | SX Hybrid | ZR |
|--|--|---------------|---------------------|----|-----------|----|
| INSTRUMENTS AND CONTROLS | 4.2" Multi-Information Display | • | • | • | | |
| | 7" Multi-Information Display | | | | • | • |
| | Head-Up Display | | | | | • |
| | Drive mode select | Auto-CVT only | • | • | • | • |
| | Paddle shift controls | | | • | | • |
| | Smart entry and start system | | • | • | • | • |
| | Manual air conditioning | • | | | | |
| | Single-zone automatic climate control air conditioning | | • | • | • | • |
| | USB charging point | | | • | • | • |
| STORAGE AND CONVENIENCE | Centre console tray and storage box | • | • | • | • | • |
| | Door pockets – driver and front passenger | • | • | • | • | • |
| | Illuminated glovebox | • | • | • | • | • |
| | Driver and front passenger sunvisors with mirror and light | • | • | • | • | • |
| | 4 x cup holders and 4 x bottle holders | • | • | • | • | • |
| MULTIMEDIA | 8" colour touchscreen display | • | • | • | • | • |
| | Satellite navigation with SUNA™ traffic channel | Optional | Optional | • | • | • |
| | USB input | • | • | • | • | • |
| | Digital radio ⁴ (DAB+) | Optional | Optional | • | • | • |
| | Bluetooth ^{®5} connectivity | • | • | • | • | • |
| | Voice recognition, Mobile Assistant, Siri ^{®5} Eyes Free, Miracast ^{®5} and myToyota app | • | • | • | • | • |
| | Apple CarPlay ^{®5} and Android Auto™.5 | • | • | • | • | • |
| | Wireless phone charger | | | • | • | • |
| | 6 audio speakers | • | • | • | • | |
| | 9-speaker JBL ^{®6} premium audio system | | | | | • |
| | Steering wheel controls for Multi Information Display (MID), telephone and audio | • | • | • | • | • |
| SAFETY | Lane Trace Assist | Auto-CVT only | • | • | • | • |
| | Lane Departure Alert with steering assist | • | • | • | • | • |
| | Pre-Collision Safety system with pedestrian (day and night) and cyclist (day) detection | • | • | • | • | • |
| | Road Sign Assist (speed signs only) | • | • | • | • | • |
| | Automatic High Beam | • | • | • | • | • |
| | High-speed Active Cruise Control | Manual only | | | | |
| | All-speed Active Cruise Control | Auto-CVT only | • | • | • | • |
| | Blind Spot Monitor | | | • | • | • |
| | Rear Cross Traffic Alert | | | • | • | • |
| | Reversing camera with fixed guidelines | • | • | • | • | • |
| | Anti-lock Braking System with Electronic Brake-force Distribution and Brake Assist | • | • | • | • | • |
| | Vehicle Stability Control and Traction Control | • | • | • | • | • |
| | Hill-start Assist Control | • | • | • | • | • |
| | Active Cornering Assist | • | • | • | • | • |
| | 7 SRS airbags – front, front side, full length curtain airbags and driver's knee airbag | • | • | • | • | • |
| | Seatbelt warning | • | • | • | • | • |
| ISOFIX child restraint anchorage points (rear seats) | • | • | • | • | • | |
| Engine immobiliser | | • | • | • | • | |

- Weights/mass/volumes/dimensions are approximate and subject to individual vehicle variances, and should be confirmed before fitting any accessories, towing or otherwise relying on this value.
- Achieved in test conditions for comparison purposes only. Actual fuel consumption varies depending on driving conditions/style, vehicle condition, load and options/accessories fitted. Source: ADR81/02 combined.
- Towing capacity is subject to regulatory requirements, tow bar and vehicle design and towing equipment limitations. Ask your Dealer for Toyota Genuine tow bar capacity and availability details.

- Coverage dependent on vehicle location.
- Bluetooth[®] is a registered trademark of Bluetooth SIG, Inc. Siri[®] is a trade mark of Apple, Inc. registered in the U.S. and other countries. Miracast[®] is a registered trade mark of registered trademark of Wi-Fi Alliance. CarPlay[®] is a trademark of Apple, Inc. registered in the U.S. and other countries. Android Auto[™] is a trademark of Google LLC.
- Product and company names are trademarks of their respective owners.

IMPORTANT NOTICE – PLEASE READ:

Toyota Australia uses its best endeavours to ensure material is accurate at the time of publishing. All information must be confirmed with your Toyota Dealer at the time of ordering, as specifications, applicability and availability may change over time. Colours depicted are a guide only and may vary from actual colours due to the printing/display process. Toyota Australia reserves the right to change and/or discontinue, without notice, models, prices, colours, materials, equipment, specifications. To the extent permitted by law, Toyota Australia will not be liable for any damage or loss incurred from relying on the information

and images contained in this material. Distributed nationally (other than in Western Australia) by Toyota Motor Corporation Australia Limited ABN 64 009 686 097. Material distributed in Western Australia by or on behalf of Prestige Motors Pty Ltd (for vehicles) and by Eastpoint Pty Ltd (for parts/accessories). Toyota Australia makes no warranties regarding (and will not be liable for) accuracy of materials distributed in Western Australia. PROOF HQ: T2020-014517. GTP-002432. VERSION: JUNE 2020.