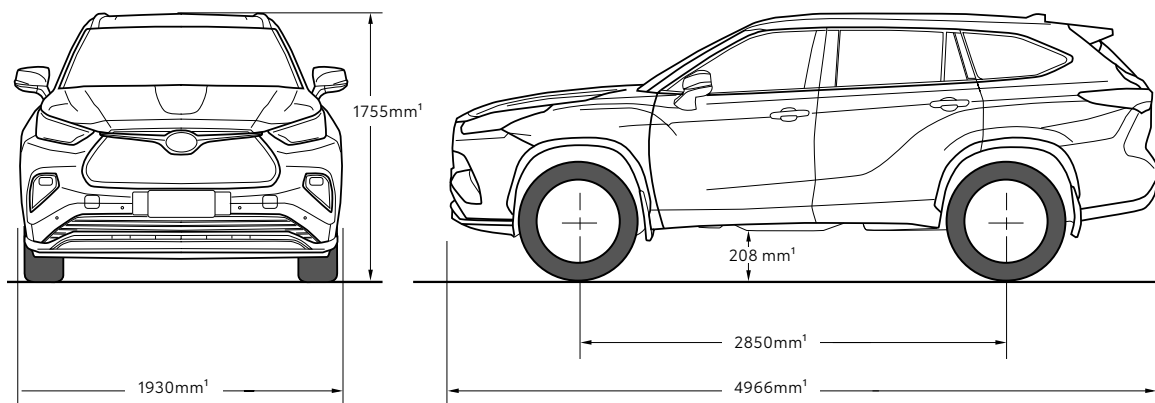


# Kluger



MECHANICAL SPECIFICATIONS		2WD	AWD	HYBRID AWD
<b>ENGINE</b>	Engine code	2GR-FKS	2GR-FKS	A25A-FXS
	Engine description	3.5 litre V6 petrol engine	3.5 litre V6 petrol engine	2.5 litre I4
	Displacement (cm <sup>3</sup> )	3456	3456	2487
	Max engine power (kW/rpm)	218/6600	218/6600	142/6000
	Max power (kW) – combined maximum output, petrol engine and electric motor			184
	Max engine torque (Nm/rpm)	350/4700	350/4700	242/4400
	Valve train	24-Valve DOHC, chain drive with Dual VVT-i	24-Valve DOHC, chain drive with Dual VVT-i	16-Valve DOHC, chain drive with Dual VVT-i
	Bore x stroke (mm)	94.0 x 83.0	94.0 x 83.0	87.5 x 103.48
	Compression ratio	11.8:1	11.8:1	14.0:1
<b>TRANSMISSION</b>	Type	8-speed automatic transmission	8-speed automatic transmission	Continuously Variable Transmission (Auto CVT)
	Gear ratios	1st 5.519; 2nd 3.184; 3rd 2.050; 4th 1.491; 5th 1.234; 6th 1.000; 7th 0.800; 8th 0.673; Rev 4.220	1st 5.519; 2nd 3.184; 3rd 2.050; 4th 1.491; 5th 1.234; 6th 1.000; 7th 0.800; 8th 0.673; Rev 4.220	
	Final drive gear ratio	3.003	3.003	3.638
	Transaxle type	UA80E	UA80F	P810
<b>FUEL</b>	Minimum fuel type	Unleaded (91 RON)	Unleaded (91 RON)	Premium Unleaded (95 RON)
	Fuel economy <sup>2</sup> – combined	8.7L/100km	8.8L/100km (GX/GXL) 8.9L/100km (Grande)	5.6L/100km
	Fuel capacity (L)	68	68	65
<b>STEERING</b>	Steering gear type	Rack and pinion	Rack and pinion	Rack and pinion
	Steering operation	Electronic Power Steering (EPS)	Electronic Power Steering (EPS)	Electronic Power Steering (EPS)
	Turning circle (m)	11.4	11.4	11.4
<b>BRAKES</b>	Brake type – front	Ventilated disc	Ventilated disc	Ventilated disc
	Brake type – rear	Ventilated disc	Ventilated disc	Ventilated disc

KLUGER MODEL		GX	GXL	Grande
<b>WEIGHTS (APPROXIMATE)</b>	Kerb weight (kg) <sup>1</sup> – 2WD/Petrol AWD/Hybrid AWD	1885/1970/2045	1885/1970/2045	1955/2045/2090
	Gross Vehicle Mass <sup>1</sup> (GVM)(kg) – 2WD/AWD	2620/2685	2620/2685	2620/2685
<b>CAPACITIES</b>	Seating capacity	7	7	7
	Cargo space capacity (L) – with 3rd row seats folded down – with 2nd and 3rd row seats folded down	241 552 1150	241 552 1150	241 552 1150
	Towing capacity <sup>3</sup> (braked)	2000kg	2000kg	2000kg
	<b>WHEELS</b>	Alloy wheels	18"	18" – level 2 styling
Chromtec <sup>®10</sup> wheels				20"

KLUGER MODEL		GX	GXL	Grande
EXTERIOR	LED automatic headlamps	•	•	•
	Daylight Running Lamps (DRLs )	•	•	•
	Fog lamps	•	•	•
	Heated power side mirrors	•	•	•
	Roof rails		•	•
	Privacy glass – rear	•	•	•
	Power back door		•	
	Power back door with kick sensor			•
	2nd row retractable sunshade			•
	Panoramic glass moonroof			•
	Tilt and slide moonroof (replacing the panoramic glass moonroof) with rear seat entertainment system			Optional
	LED rear combination lamp	•	•	•
	Grille trim - silver painted	•	•	
	Grille trim - chrome			•
	Body-coloured door handles	•	•	•
	Mud flaps - front and rear	•	•	•
	Rear spoiler	•	•	•
	INTERIOR	60:40 split 2nd and 3rd row seats	•	•
Driver 8-way power, front passenger 4-way power adjustable seat			•	•
Driver and front passenger heated seats			•	
Driver and front passenger heated and ventilated seats				•
Synthetic leather seats			•	
Fabric seats		•		
Leather accented interior				•
Power socket – 2 x front 12V DC outlets, 2 x front USB ports, 2 x back USB ports		•	•	•
Premium leather accented steering wheel with audio controls, telephone controls and LDA		•	•	•
Leather accented gear lever		•	•	•
Carpet floor mats		•	•	•
Fabric door trim		•		
Synthetic leather door trim			•	
Synthetic leather door trim with wood trim-look ornament				•
Manual tilt and telescopic steering column		•	•	•
Front door sill metal scuff plates				•
Interior ambient lighting				•
Memory driver seat and exterior mirrors				•
Power driver seat lumbar support			•	•
Premium soft instrument panel				•
Soft touch instrument panel	•	•		
INSTRUMENTS AND CONTROLS	4.2" colour Multi Information Display (MID)	•		
	7" colour Multi Information Display (MID)		•	•
	ECO driving indicator zone display	•	•	•

KLUGER MODEL		GX	GXL	Grande
INSTRUMENTS AND CONTROLS	Automatic rain sensing wipers	•	•	•
	Manual air conditioning (petrol)	•		
	3-zone automatic climate control air conditioning	Hybrid only	•	•
	Power windows – all automatic up/down	•	•	•
	Smart entry and start system	•	•	•
	Electrochromatic interior rear view mirror			•
	Electronic Parking Brake	•	•	•
	Drive mode select - Normal, Eco and Sport	•	•	•
	Head-Up Display			•
SAFETY	Anti-lock Braking System (ABS), Brake Assist (BA) and Electronic Brake-force Distribution (EBD)	•	•	•
	Vehicle Stability Control (VSC)	•	•	•
	Hill-start Assist Control (HAC)	•	•	•
	Downhill Assist Control (DAC) – Petrol AWD only	•	•	•
	7 SRS airbags	•	•	•
	Seatbelt warning – available for all 7 seats	•	•	•
	Toyota Safety Sense – including Pre-Collision Safety system with pedestrian and daylight cyclist detection, Lane Departure Alert with steering assist, Automatic High Beam, Active Cruise Control, Intersection Turn Assistance, Lane Trace Assist and Road Sign Assist (speed signs only)	•	•	•
	Blind Spot Monitor (BSM) with Rear Cross Traffic Alert (RCTA)	•	•	•
	Rear parking sensors	•	•	•
	Front parking sensors	•	•	•
	Reversing camera with fixed lines	•		
	Reversing camera with Back Guide Monitor		•	•
	Panoramic View Monitor			•
	Child restraint anchorage points x 3	•	•	•
	Luggage area hooks	•	•	•
Engine immobiliser system	•	•	•	
STORAGE	Cup holders and bottle holders	•	•	•
	Instrument panel tray	•	•	•
	Central console box	•	•	•
	Tonneau cover	•	•	•
MULTIMEDIA	8" colour touchscreen display with Apple CarPlay <sup>5,6</sup> and Android Auto™ <sup>6,7</sup> (speak to your Dealer about device compatibility), USB <sup>4</sup> connectivity and digital radio <sup>9</sup>	•	•	•
	Satellite navigation <sup>8</sup>		•	•
	6-speaker sound system	•	•	
	Bluetooth <sup>8,9</sup> connectivity	•	•	•
	11-speaker JBL <sup>10</sup> sound system			•

- Weights/mass/volumes/dimensions are approximate and subject to individual vehicle variances, and should be confirmed before fitting any accessories, towing or otherwise relying on this value.
- Achieved in test conditions for comparison purposes only. Actual fuel consumption varies depending on driving conditions/style, vehicle condition, load and options/ accessories fitted. Source: ADR81/02 combined (L/100km).
- Towing capacity subject to regulatory requirements, tow bar and vehicle design and towing equipment limitations. Ask your Dealer for Toyota Genuine tow bar capacity and availability details.
- Compatibility and functionality varies depending on device.

**IMPORTANT NOTICE – PLEASE READ:**

Toyota Australia uses its best endeavours to ensure material is accurate at the time of publishing. All information must be confirmed with your Toyota Dealer at the time of ordering, as specifications, applicability and availability may change over time. Colours depicted are a guide only and may vary from actual colours due to the printing/display process. Toyota Australia reserves the right to change and/or discontinue, without notice, models, prices, colours, materials, equipment, specifications. To the extent permitted by law, Toyota Australia will not be liable for any damage or loss incurred from relying on the information and images contained in

- CarPlay is a trademark of Apple, Inc. registered in the U.S. and other countries.
- Requires compatible device, USB connection, mobile data, network reception and GPS signal. Mobile usage at user's cost. Apps subject to change. For details see [toyota.com.au/connected](http://toyota.com.au/connected)
- Android Auto™ is a trademark of Google LLC.
- Coverage varies based on vehicle location.
- Bluetooth® is a registered trademark of Bluetooth SIG, Inc.
- Product and company names are trademarks of their respective owners.

this material. Distributed nationally (other than in Western Australia) by Toyota Motor Corporation Australia Limited ABN 64 009 686 097. Material distributed in Western Australia by or on behalf of Prestige Motors Pty Ltd (for vehicles) and by Eastpoint Pty Ltd (for parts/accessories). Toyota Australia makes no warranties regarding (and will not be liable for) accuracy of materials distributed in Western Australia. PROOF HQ: T2021-016216. GTO-003616. VERSION: JUNE 2021.