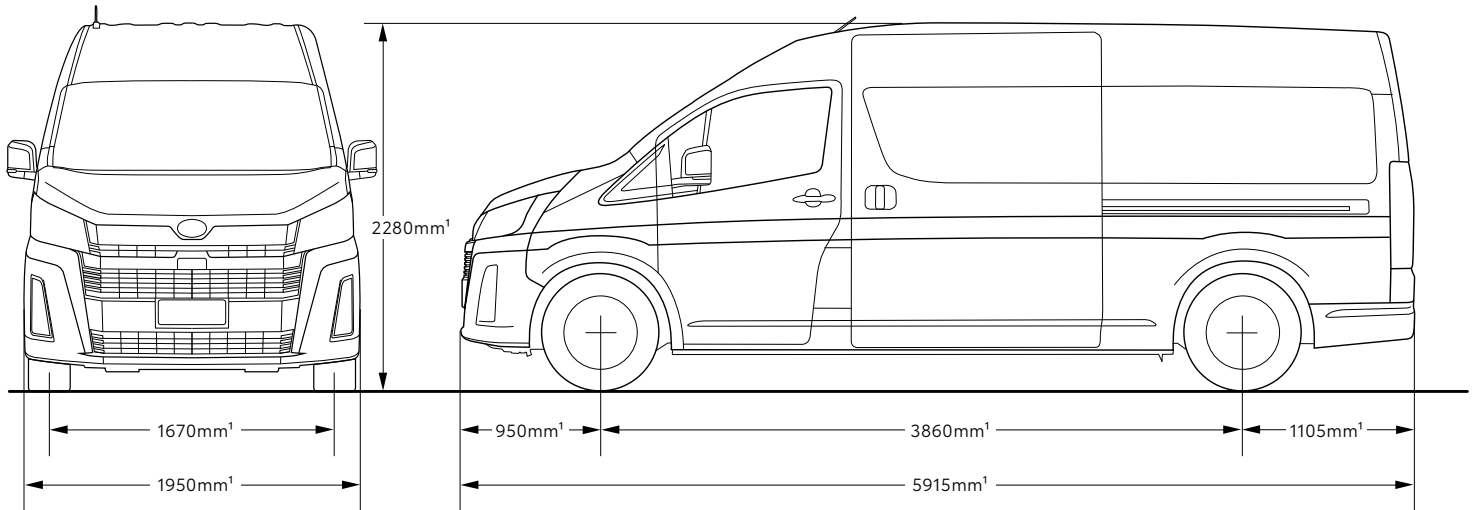
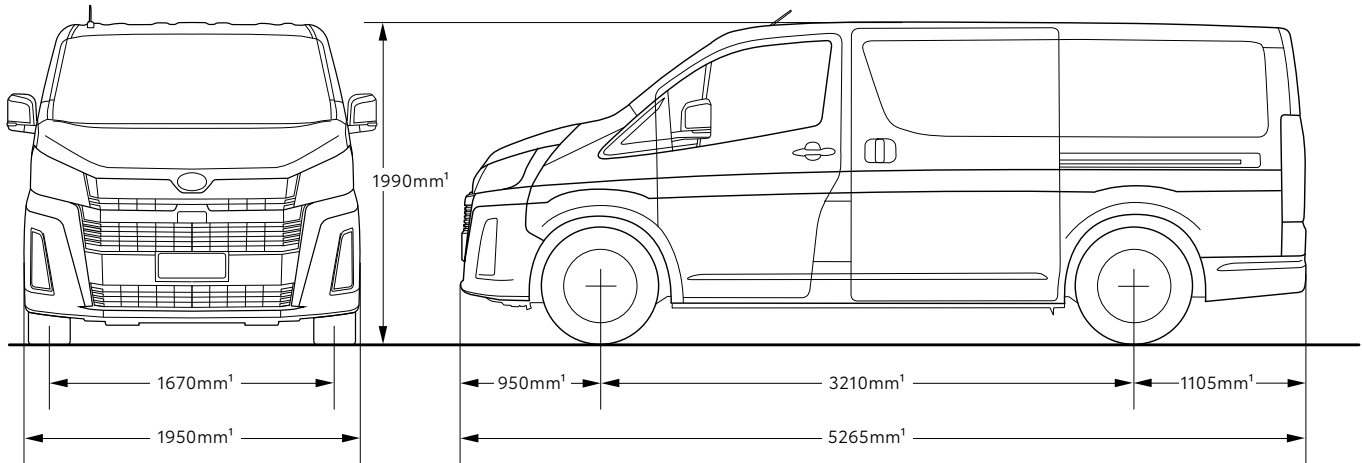


HiAce



| HIACE MODEL | | LWB Van turbo diesel manual | LWB Van turbo diesel automatic | LWB Van petrol manual | LWB Van petrol automatic | LWB Crew Van turbo diesel automatic | SLWB Van turbo diesel automatic | SLWB Van petrol automatic | Commuter turbo diesel automatic | Commuter GL turbo diesel automatic |
|-------------------------------|--|--|--|-----------------------------|--|-------------------------------------|---------------------------------|---------------------------|---------------------------------|------------------------------------|
| ENGINE | Engine code | 1GD-FTV | 1GD-FTV | 7GR-FKS | 7GR-FKS | 1GD-FTV | 1GD-FTV | 7GR-FKS | 1GD-FTV | 1GD-FTV |
| | Engine description | 4 cylinders | 4 cylinders | 6 cylinders | 6 cylinders | 4 cylinders | 4 cylinders | 6 cylinders | 4 cylinders | 4 cylinders |
| | Displacement (cm ³) | 2755 | 2755 | 3456 | 3456 | 2755 | 2755 | 3456 | 2755 | 2755 |
| | Maximum power (kW/rpm) | 130/3400 | 130/3400 | 207/6000 | 207/6000 | 130/3400 | 130/3400 | 207/6000 | 120/3600 | 120/3600 |
| | Torque (Nm/rpm) | 420/1400-2600 | 450/1600-2400 | 351/4600 | 351/4600 | 450/1600-2400 | 450/1600-2400 | 351/4600 | 420/1600-2200 | 420/1600-2200 |
| | Bore x stroke (mm) | 92.0 x 103.60 | 92.0 x 103.60 | 94.0 x 83.0 | 94.0 x 83.0 | 92.0 x 103.60 | 92.0 x 103.60 | 94.0 x 83.0 | 92.0 x 103.60 | 92.0 x 103.60 |
| | Compression ratio (:1) | 15.6 | 15.6 | 11.8 | 11.8 | 15.6 | 15.6 | 11.8 | 15.6 | 15.6 |
| | Diesel Particulate Filter (forced burn off) switch | • | • | | | • | • | | • | • |
| FUEL | Fuel consumption ² (combined L/100km) | 7.5L | 8.2L | 12.4L | 12.0L | 8.4L | 8.4L | 12.0L | | |
| STEERING | Steering gear type | Rack & Pinion | | | | | | | | |
| | Steering gear ratio | 15.6 | | | | | | | | |
| BRAKES | Front | Ventilated disc brake with floating caliper 2-cylinder | | | | | | | | |
| | Rear | Leading-trailing drum brake | Ventilated disc brake with floating caliper 1-cylinder | Leading-trailing drum brake | Ventilated disc brake with floating caliper 1-cylinder | | | | | |
| | Parking brake | Hand lever type | | | | | | | | |
| SUSPENSION | Suspension | Front: Macpherson Strut / Rear: Leaf spring rigid axle | | | | | | | | |
| WEIGHTS AND CAPACITIES | Gross Vehicle Mass ¹ (GVM) kg | 3300 | 3300 | 3200 | 3200 | 3300 | 3500 | 3400 | 3710 | 3720 |
| | Gross Combined Mass ¹ (GCM) kg | 5200 | 4800 | 4600 | 4700 | 4800 | 5000 | 4900 | 5210 | 5220 |
| | Kerb weight ¹ | 2220 | 2205 | 2135 | 2120 | 2305 | 2340 | 2260 | 2615 | 2665 |
| | Towing capacity ³ (braked kg/unbraked kg) | 1900/400 | 1500/400 | 1400/400 | 1500/400 | | | | | |
| | Fuel capacity (L) | 70 | | | | | | | | |

| HIACE MODEL | | LWB Van turbo diesel manual | LWB Van turbo diesel automatic | LWB Van petrol manual | LWB Van petrol automatic | LWB Crew Van turbo diesel automatic | SLWB Van turbo diesel automatic | SLWB Van petrol automatic | Commuter turbo diesel automatic | Commuter GL turbo diesel automatic |
|--------------------------|--|-----------------------------|--------------------------------|-----------------------|--------------------------|-------------------------------------|---------------------------------|---------------------------|---------------------------------|------------------------------------|
| EXTERIOR | Semi-bonnet design | • | • | • | • | • | • | • | • | • |
| | Dual sliding doors | • | • | • | • | • | • | • | | |
| | Left side sliding door with glass panel | • | • | • | • | • | • | • | • | • |
| | Left side sliding door with steel panel | | OPT | | | | | | | |
| | 4 door option left sliding door | | • | | | | | | | |
| | Right side sliding door with glass | | | | | • | | | | |
| | Halogen headlamps and DRLs | • | • | • | • | • | • | • | • | • |
| | LED DRLs | | | | | | | | | • |
| | Painted door handles (body colour) | | OPT | | | • | OPT | | | • |
| | Painted front and rear bumper (body colour) | | OPT | | | • | OPT | | | • |
| | Openable rear windows | | | | | • | | | | |
| | Automatic sliding door | | | | | | | | | • |
| Glass roof escape hatch | | | | | | | | • | • | |
| WHEELS | Design and size | 16" Steel | 16" Steel | 16" Steel | 16" Steel | 16" Steel | 16" Steel | 16" Steel | 16" Steel | 16" Alloy |
| | Full size spare | • | • | • | • | • | • | • | • | • |
| INTERIOR | Fabric seats | • | • | • | • | • | • | • | • | |
| | Synthetic leather/fabric seats | | | | | | | | | • |
| | Number of seats | 2 | 2 | 2 | 2 | 5 | 2 | 2 | 12 | 12 |
| | Centre console tray | • | • | • | • | • | • | • | • | • |
| | Leather accented steering wheel | • | • | • | • | • | • | • | • | • |
| | Front and rear interior lamps | • | • | • | • | • | • | • | • | • |
| INSTRUMENTS AND CONTROLS | 8" colour touchscreen with AM/FM radio | • | • | • | • | • | • | • | • | • |
| | Bluetooth ^{4,5} and USB ⁵ - front x1 | • | • | • | • | • | • | • | • | • |
| | Rear USB ⁵ charging port | | | | | | | | | • |
| | Apple CarPlay ^{6,7} and Android Auto ^{™,8} | • | • | • | • | • | • | • | • | • |
| | Cruise control | • | • | • | • | • | • | • | • | • |
| | 4.2" colour Multi Information Display (MID) | • | • | • | • | • | • | • | • | • |
| | Steering wheel switches | • | • | • | • | • | • | • | • | • |
| | Digital rear view mirror with auto dimming | | OPT | | | • | OPT | | | • |
| SAFETY | Number of SRS airbags | 7 | 7 | 7 | 7 | 9 | 7 | 7 | 3 | 3 |
| | Pre-Collision Safety system with pedestrian detection and daylight cyclist detection | • | • | • | • | • | • | • | • | • |
| | Lane Departure Alert (LDA) and Brake Assist (BA) | • | • | • | • | • | • | • | • | • |
| | Automatic High Beam (AHB) | • | • | • | • | • | • | • | • | • |
| | Road Sign Assist (RSA) | • | • | • | • | • | • | • | • | • |
| | Reversing camera | • | • | • | • | • | • | • | • | • |
| | Front and rear parking sensors | • | • | • | • | • | • | • | • | • |
| | Blind Spot Monitor (BSM) and Rear Cross Traffic Alert (RCTA) | • | • | • | • | • | • | • | • | • |
| | Front passenger occupant detection | • | • | • | • | • | • | • | • | • |
| | Rear passenger occupant detection | | | | | • | | | | |

- Weights/mass/volumes/dimensions are approximate and subject to individual vehicle variances, and should be confirmed before fitting any accessories, towing or otherwise relying on this value.
- Achieved in test conditions for comparison purposes only. Actual fuel consumption varies depending on driving conditions/style, vehicle condition, load and options/accessories fitted.
- Towing capacity subject to regulatory requirements, tow bar and vehicle design and towing equipment limitations. Ask your Dealer for Toyota Genuine tow bar capacity and availability details.

- Bluetooth® is a registered trademark of Bluetooth SIG, Inc.
- Compatibility and functionality varies depending on device.
- Requires compatible device, USB connection, mobile data, network reception and GPS signal. Mobile usage at user's cost. Apps subject to change. For details see toyota.com.au/connected
- CarPlay® is a trademark of Apple, Inc. registered in the U.S. and other countries.
- Android Auto™ is a trademark of Google LLC.

IMPORTANT NOTICE – PLEASE READ: Toyota Australia uses its best endeavours to ensure material is accurate at the time of publishing. All information must be confirmed with your Toyota Dealer at the time of ordering, as specifications, applicability and availability may change over time. Colours depicted are a guide only and may vary from actual colours due to the printing/display process. Toyota Australia reserves the right to change and/or discontinue, without notice, models, prices, colours, materials, equipment, specifications. To the extent permitted by law, Toyota Australia will not be liable for any damage or loss incurred from relying on the information and images contained in this material. Distributed nationally (other than in Western Australia) by Toyota Motor Corporation Australia Limited ABN 64 009 686 097. Material distributed in Western Australia by or on behalf of Prestige Motors Pty Ltd (for vehicles) and by Eastpoint Pty Ltd (for parts/accessories). Toyota Australia makes no warranties regarding (and will not be liable for) accuracy of materials distributed in Western Australia. PROOF HQ: T2020-014830. GTO-002692. VERSION: AUGUST 2020.