

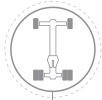
POWERSTAR 7200



BUILT TOUGH FOR AUSTRALIA

IVECO

# POWERSTAR 7200



## PERFORMANCE

CUMMINS ENGINE  
UP TO 550 HP – EUROPEAN  
COMFORT MATCHED TO  
AMERICAN DRIVELINE



## COMFORT

FULLY INTEGRATED SLEEPER; WRAP AROUND  
DASH AND ERGONOMIC LAYOUT;  
SPACIOUS 2300MM WIDE CAB



## VERSATILITY

CHOICE OF FOUR WHEELBASES,  
MANUAL OR AUTOMATED  
TRANSMISSION WITH DAY OR  
SLEEPER CAB



## AUSTRALIAN MADE

DESIGNED AND BUILT IN  
AUSTRALIA TO ENDURE HARSH  
CONDITIONS, THE POWERSTAR 7200  
IS BORN TO DO THE TOUGH STUFF



## PRODUCTIVITY

34 PALLET B-DOUBLE, TIPPER/  
VOCATIONAL CAPABILITY  
B-TRIPLE READY AND UP TO  
120 TONNES ROAD TRAIN

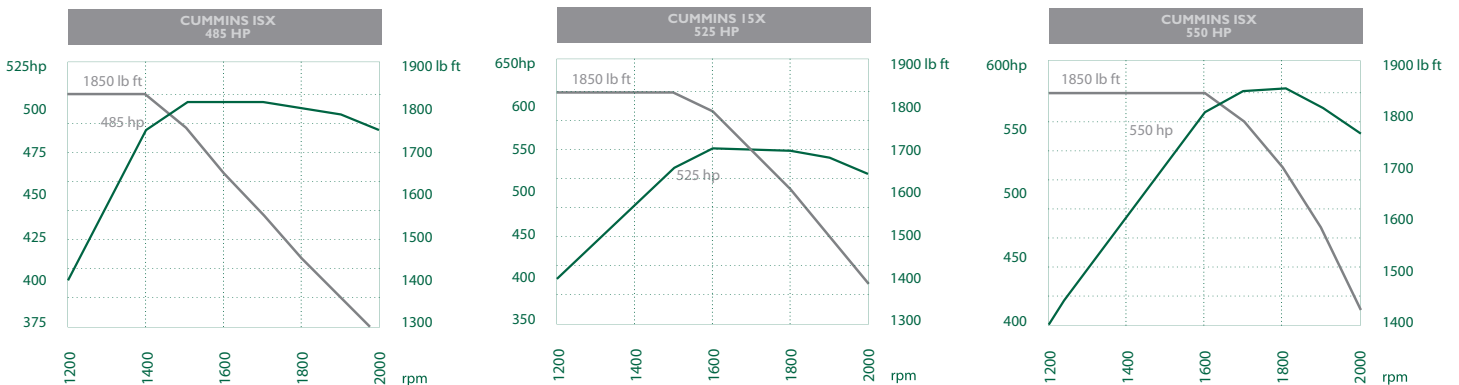


## PERFORMANCE

### CUMMINS 15 LITRE ISX ENGINE

STANDARD AT 485HP / 1850LB FT AND OPTIONS OF 525HP / 1850LB FT OR 550HP / 1850LB FT

### ENGINE BRAKE PERFORMANCE OF 600 RETARDING HORSEPOWER AT 2100RPM



**ENGINE** Cummins 15-Litre 6 cylinder ISX (ADR 80/03)

<b>Maximum Output</b>	485hp/362kW @ 2000rpm	<b>Total Displacement</b>	14.9 litres
<b>Maximum Torque</b>	1850lb ft/2500Nm @ 1400rpm	<b>Optional Engine Ratings</b>	525hp/392kW & 1850lb ft/2500Nm 550hp/410kW & 1850lb ft/2500Nm
<b>Emissions Technology</b>	Exhaust Gas Recirculation		

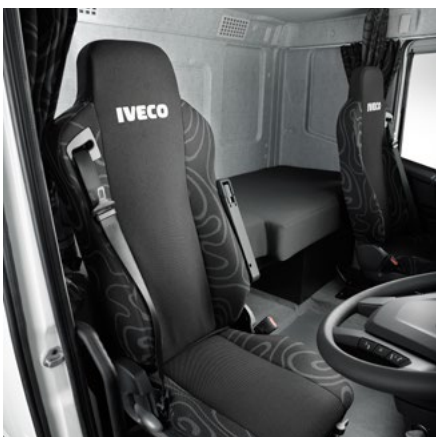
Dry-element air cleaner. Single, gantry mounted Diesel Particulate Filter (DPF) on LHS. **Optional:** Horizontal DPF and tailpipe



# EUROPEAN COMFORT & AMERICAN DRIVELINE

PROVEN CUMMINS ENGINE PLUS A CHOICE OF MANUAL OR AUTOMATED TRANSMISSIONS COMBINED WITH EUROPEAN DRIVING COMFORT

ADJUSTABLE STEERING COLUMN AND CONTROLS AT YOUR FINGERTIPS



# POWERSTAR 7200

## CHASSIS DIMENSIONS (mm)

CAB TYPE	ADN	ATN	ADN or ATN	ADN or ATN
WB	4500	4650	4800	5000
GC (Front)	273	273	273	273
GC (Rear)	242	242	242	242
AF	1420	1420	1420	1750
L	7140	7290	7440	7970
Turning circle	16800	17000	17200	17900

\*For wall to wall, add 850mm

## CAB DIMENSIONS (mm)

	H	H (aero kit)
Active Day Low Roof	2980	4000
Active Time Medium Roof	3615	4000
Active Time Low Roof	2980	4000

## SUSPENSION (mm)

	B	C	D Laden	D Unladen	E
PAX462	658	665	1005	1030	105

## MASS RATINGS

- GVM 24.5 tonnes GCM 120.0 tonnes\*
- Chassis mass front 5.0 tonnes^
- Chassis mass rear 3.9 tonnes^
- Chassis mass total 8.9 tonnes^

^Chassis with oil and coolant, but no fuel, spare wheel or tyre.  
All weights calculated on ADN cab with 4.5m wheelbase

\*Subject to application approval

## CLUTCH

**Eaton Roadranger Transmission:**  
Eaton Easy Pedal Advantage twin plate  
• Hydraulic and air assist

**Diameter:** 394mm

**Eurotronic Transmission:**  
Self-adjusting single-plate with air assisted hydraulic actuation

**Diameter:** 430mm

## FRONT AXLE & SUSPENSION

- IVECO 5876

**Axle Type:** Forged steel I-beam

**Capacity:** 7.5 tonnes

**Optional:** Meritor FG943 with drum brakes

**Capacity:** 6.5 tonnes

**Suspension Type:** Three-leaf parabolic springs  
Double acting telescopic shock absorbers

**Capacity:** 6.5 tonnes

## REAR AXLE & SUSPENSION

- Meritor RT46-160GP

**Capacity:** 20.9 tonnes

**Ratios:** 3.58, 3.73, 4.10

(with Eurotronic Transmission)

- 4.10, 4.30, 4.56

(with Eaton Roadranger Transmission)

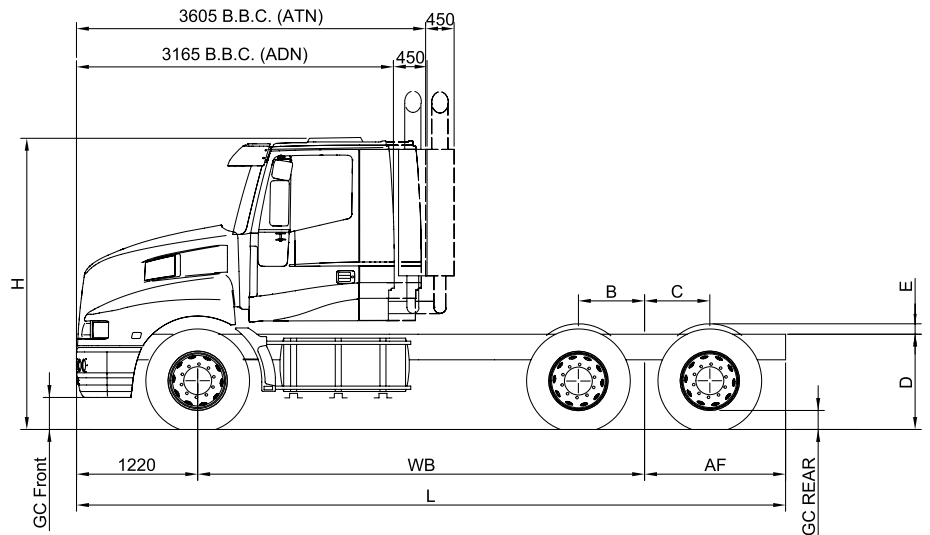
- Driver controlled differential locks

**Optional:** Meritor RT50-160GP

**Capacity:** 22.7 tonnes

**Suspension Type:** Hendrickson Primaax PAX 462

**Capacity:** 20.0 tonnes



## BRAKES

**Type:** 2-circuit air system

**Front:** 432mm Knorr disc brakes

**Rear:** Meritor S-Cam 419mm diameter x 178mm drum brakes with automatic slack adjusters

- 100-litre aluminium air reservoirs
- Dessicant type air dryer/pressure regulator
- Wabco E 4-channel ABS/EBL with ASR Trailer ABS facility

**Optional:** Knorr SN7 disc brakes on rear axles

## STEERING

- Sheppard M110 power-assisted with gear-driven pump
- 460mm diameter adjustable steering wheel with pneumatic floor release switch

## FUEL SYSTEM

- 2 x 450 litre aluminium round tanks = 900 litres

**Optional:** Wide range of square, round and split tank options available

## TRANSMISSION

- Eaton Roadranger RTLO-20918B 18-speed overdrive

**Optional:** IVECO EuroTronic II I6AS2630 TO automated 16 speed overdrive

- Two-pedal operation with automatic or manual shift control

## CHASSIS

**Type:** 257x89x8mm parallel-section high-tensile steel channel

- Tapered rear of frame with fifth wheel angles
- Polished alloy bumper with fog and driving lights, covers & FUPS
- Optional:** Polished aluminium bullbar with fog and driving lights, covers & FUPS.
- Square end of frame with trailer connections to ROF, deckplate

## ELECTRICAL SYSTEM

**Type:** 24-Volt

- Multiplex computerised CANBUS integrated wiring and systems control network with centralised colour display, controls and diagnostics

**Batteries:** 4 x 560 amps

**Alternator:** 24V, 90 amps

## WHEELS & TYRES

**Wheels:** 8.25DC x 22.5 10-stud 335mm PCD steel

**Front Tyres:** Dunlop SP350\*, 295/80R22.5

**Rear:** Dunlop SP431A\*, 11R22.5

**Optional:** Alcoa 8.25DC x 22.5 10 stud 335mm PCD alloy

- Plain or Durabright finish

\*or different brand, equivalent model

## COOLING SYSTEM

- Radiator frontal area: 1678in<sup>2</sup>
- Charge air cooler frontal area: 941in<sup>2</sup>

## DRIVELINE

- Spicer I810 Series main driveline with Spicer I710 Series interaxle

**Optional:** SPL 250 driveline

## CAB CONSTRUCTION

- IVECO Active Day 2280mm wide, 3165mm BBC all steel, conventional control day cab with low roof
- IVECO Active Time 2280mm wide, 3605mm BBC all steel, conventional control sleeper cab with low or medium roof
- Four-point cab mounting system with air suspension and dampers at rear

## CAB FEATURES

- Fully adjustable ISRI self levelling air suspension driver's seat with headrest, adjustable damper and integrated lap-sash retractor seat belt.
- Fixed ISRI passenger seat with lap sash retractor seat belt. 90° opening doors with electrically operated window and low-level visibility forward window
- Storage locker in overhead console and compartments on left hand door and rear wall of cab
- Optional:** ISRI self levelling air suspension passenger seat with headrest, adjustable shock absorber and integrated lap-sash retractor seat belt
- Leather air suspended driver and passenger seat

# IVECO