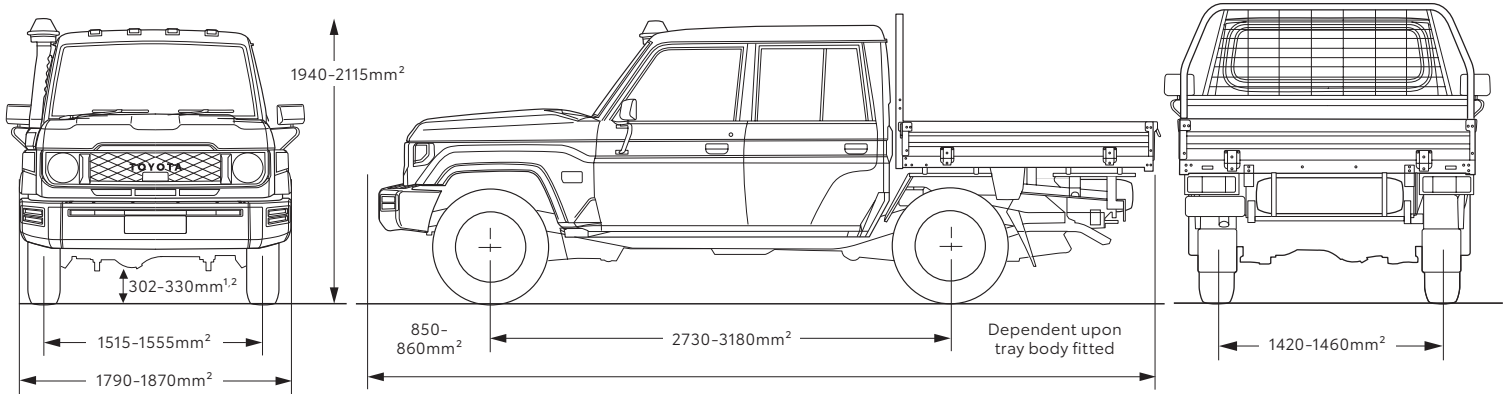


# LandCruiser 70



Please Note: information is accurate as at November 2023.

Specification and imagery are indicative and should only be used as a guide. Vehicle and accessory specification, features, colour and trim may differ at the time of vehicle delivery.



MECHANICAL SPECIFICATIONS		LandCruiser 70	
ENGINE	Engine	4.5L turbo diesel engine	2.8L turbo diesel engine
	Name	1VD-FTV	1GD-FTV
	Displacement (cm <sup>3</sup> )	4461	2755
	Max power (kW/rpm)	151/3400	150/3400
	Max torque (Nm/rpm)	430/1200-3200	500/1600-2800
	Valve train	32-valve DOHC	16-valve DOHC
	Fuel system	Common-rail type	Common-rail type
	Bore x stroke (mm)	86.0 x 96.0	92.0 x 103.6
	Compression ratio	16.8:1	15.6:1
TRANSMISSION	Transmission	5-speed manual (5-speed manual not available on WorkMate LC76 Wagon)	6-speed automatic
	Gear ratios	1st 4.529; 2nd 2.294; 3rd 1.490; 4th 1.000; 5th 0.750; Reverse 4.313	1st 3.6000; 2nd 2.0903; 3rd 1.4883; 4th 1.000 5th 0.6876; 6th 0.5806; Reverse 3.7324
	Transfer Gear Ratio (H4/L4)	1.000/2.488	
	Driveline	4WD	4WD
FUEL	Fuel type	Diesel	Diesel
	Fuel capacity (L)	Troop Carrier 180 (90 + 90), all other models 130	
STEERING	Steering system	Hydraulic	
	Steering operation	Power steering	
	Turning circle (kerb to kerb) (m)	Single-Cab Cab-Chassis and Double-Cab Cab-Chassis: 14.4; Troop Carrier: 13.6; Wagon: 12.6	
BRAKES	Brake control system	Front and rear ventilated discs	
SUSPENSION	Front	Rigid live axle, leading arm, coil springs, dampers and anti-roll bar	
	Rear	Rigid live axle, semi-elliptic leaf springs, dampers	

LANDCRUISER 70 MODEL		Single-Cab Cab-Chassis			Double-Cab Cab-Chassis		Wagon		Troop Carrier		
		WorkMate	GX	GXL	WorkMate	GXL	WorkMate	GXL	WorkMate	GXL	
DIMENSIONS AND WEIGHTS (APPROXIMATE)	Overall length <sup>1</sup> (mm)	5235	5235	5245	5235	5235	4865	4910	5235	5245	
	Overall width <sup>1</sup> (mm)	1790	1870	1870	1790	1870	1800	1870	1800	1800	
	Overall height <sup>1</sup> (mm)	1970	1955	1955	1960	1945	1955	1940	2115	2115	
	Wheelbase (mm)	3180	3180	3180	3180	3180	2730	2730	2980	2980	
	Front track (mm)	1515	1555	1555	1515	1555	1515	1555	1515	1515	
	Rear track (mm)	1420	1460	1460	1420	1460	1420	1460	1420	1420	
	Running clearance <sup>1</sup> (mm)	330	316	316	317	302	305	290	317	315	
	Kerb weight <sup>1</sup> (kg)	Manual transmission	2205	2190	2195	2260	2240		2355	2410	2450
		Automatic transmission	2145	2130	2130	2200	2185	2230	2300	2360	2395
		Gross Vehicle Mass <sup>1</sup> (GVM) (kg)	3510	3510	3510	3510	3510	3510	3510	3510	3510
	Gross Combined Mass <sup>1</sup> (GCM) (kg)	7010	7010	7010	7010	7010	7010	7010	7010	7010	
SEATING	Capacity	2	2	2	5	5	5	5	2	5	
TOWING CAPACITY <sup>2</sup>	With trailer brakes	3500	3500	3500	3500	3500	3500	3500	3500	3500	
	Without trailer brakes	750	750	750	750	750	750	750	750	750	
WHEELS	16" steel wheels	•			•		•		•	•	
	16" alloy wheels		•	•		•		•			

LANDCRUISER 70 MODEL		Single-Cab Cab-Chassis			Double-Cab Cab-Chassis		Wagon		Troop Carrier	
		WorkMate	GX	GXL	WorkMate	GXL	WorkMate	GXL	WorkMate	GXL
EXTERIOR	LED headlamps and Daytime Running Lamps	•	•	•	•	•	•	•	•	•
	Manual headlamp leveling	•	•	•	•	•	•	•	•	•
	Automatic high beams	•	•	•	•	•	•	•	•	•
	LED front fog lamps			•		•		•		•
	Moulded black front bumper	•	•		•					
	Chrome and painted front bumper			•		•				
	Moulded black front and rear bumpers						•		•	
	Chrome and painted front and rear bumpers							•		•
	Front mudguards	•	•	•	•	•				
	Front and rear mudguards						•	•	•	•
	Steel side steps	•	•						•	
	Aluminium side steps			•	•	•	•	•	•	•
	Air-intake snorkel	•	•	•	•	•	•	•	•	•
	Over-fender flares		•	•		•		•		
	Chrome roof drip rails			•		•		•		•
Manual antenna	•	•	•	•	•	•	•	•	•	
Barn type 60/40 rear tailgate doors						•	•	•	•	
INTERIOR	2 bucket front seats	•	•	•	•	•	•	•	•	•
	Front bucket seats and 2nd row bench seat				•	•	•	•	•	•
	Textured vinyl seat trim	•	•		•		•		•	
	Cloth seat and door trim			•		•		•		•
	Floor carpet			•		•		•		•
	All weather floor mats	•	•	•	•	•	•	•	•	•
	Air conditioning	•	•	•	•	•	•	•	•	•
	Driver and passenger map light	•	•	•	•	•	•	•	•	•
SAFETY	Anti-lock Braking System	•	•	•	•	•	•	•	•	•
	Driver seatbelt warning lamp	•	•	•	•	•	•	•	•	•
	Driver and front passenger airbags	•	•	•	•	•	•	•	•	•
	Curtain shield and driver's knee airbags	•	•	•						
	Reverse Camera						•	•		
	Brake Assist	•	•	•	•	•	•	•	•	•
	Vehicle Stability Control, Hill-start Assist Control, Downhill Assist Control (auto only), Electronic Brake-force Distribution and Active Traction Control	•	•	•	•	•	•	•	•	•
	Toyota Safety Sense <sup>4</sup> – including Lane Departure Alert, Pre-Collision Safety system with pedestrian detection and Daytime cyclist detection and Road Sign Assist (speed signs only)	•	•	•	•	•	•	•	•	•
STORAGE	Glove box	•	•	•	•	•	•	•	•	•
	2 bottle holders	•	•	•	•	•	•	•	•	•
	Driver and front passenger map pockets			•		•		•		•
	Centre console storage	•	•	•	•	•	•	•	•	•
MULTIMEDIA	6.7" colour touchscreen display	•	•	•	•	•	•	•	•	•
	USB charging ports <sup>5</sup>			2		2		2		2
	USB multimedia input <sup>5</sup>	•	•	•	•	•	•	•	•	•
	12V accessory connector	•	•	•	•	•	•	•	•	•
	AM/FM radio with MP3 compatibility	•	•	•	•	•	•	•	•	•
	Bluetooth <sup>®5,6</sup> connectivity	•	•	•	•	•	•	•	•	•
	Apple CarPlay <sup>®7</sup> and Android Auto <sup>™7</sup>	•	•	•	•	•	•	•	•	•
	2 speakers	•	•	•	•	•			•	
	4 speakers						•	•		•
Front guard mounted antenna	•	•	•	•	•	•	•	•	•	

1 Dimensions are approximate and are subject to individual vehicle variances, accessory fitment and weight carried.  
2 Weights/mass/volumes/dimensions are approximate and subject to individual vehicle variances, and should be confirmed before fitting any accessories, towing or otherwise relying on this value.  
3 Towing capacity subject to regulatory requirements, and vehicle and equipment design limitations. Ask your dealer for more information, including Toyota Genuine Tow Bar capacity and availability.

**IMPORTANT NOTICE – PLEASE READ:**

Toyota Australia uses its best endeavours to ensure material is accurate at the time of publishing. All information must be confirmed with your Toyota Dealer at the time of ordering, as specifications, applicability and availability may change over time. Colours depicted are a guide only and may vary from actual colours due to the printing/display process. Toyota Australia reserves the right to change and/or discontinue, without notice, models, prices, colours, materials, equipment, specifications. To the extent permitted by law, Toyota Australia will not be liable for any damage or loss incurred from relying

4 Driver assist feature. Only operates under certain conditions. Check your Owner's Manual for explanation of limitations. Please drive safely.  
5 Compatibility and functionality varies depending on device.  
6 The Bluetooth<sup>®</sup> word mark is owned by Bluetooth SIG, Inc.  
7 CarPlay<sup>®</sup> is a trademark of Apple, Inc. registered. Android Auto<sup>™</sup> is a trademark of Google LLC.

on the information and images contained in this material. Distributed nationally (other than in Western Australia) by Toyota Motor Corporation Australia Limited ABN 64 009 686 097. Material distributed in Western Australia by or on behalf of Prestige Motors Pty Ltd (for vehicles) and by Eastpoint Pty Ltd (for parts/accessories). Toyota Australia makes no warranties regarding (and will not be liable for) accuracy of materials distributed in Western Australia. PROOF HQ: T2023-020645. GTO-007357. VERSION: NOVEMBER 2023.