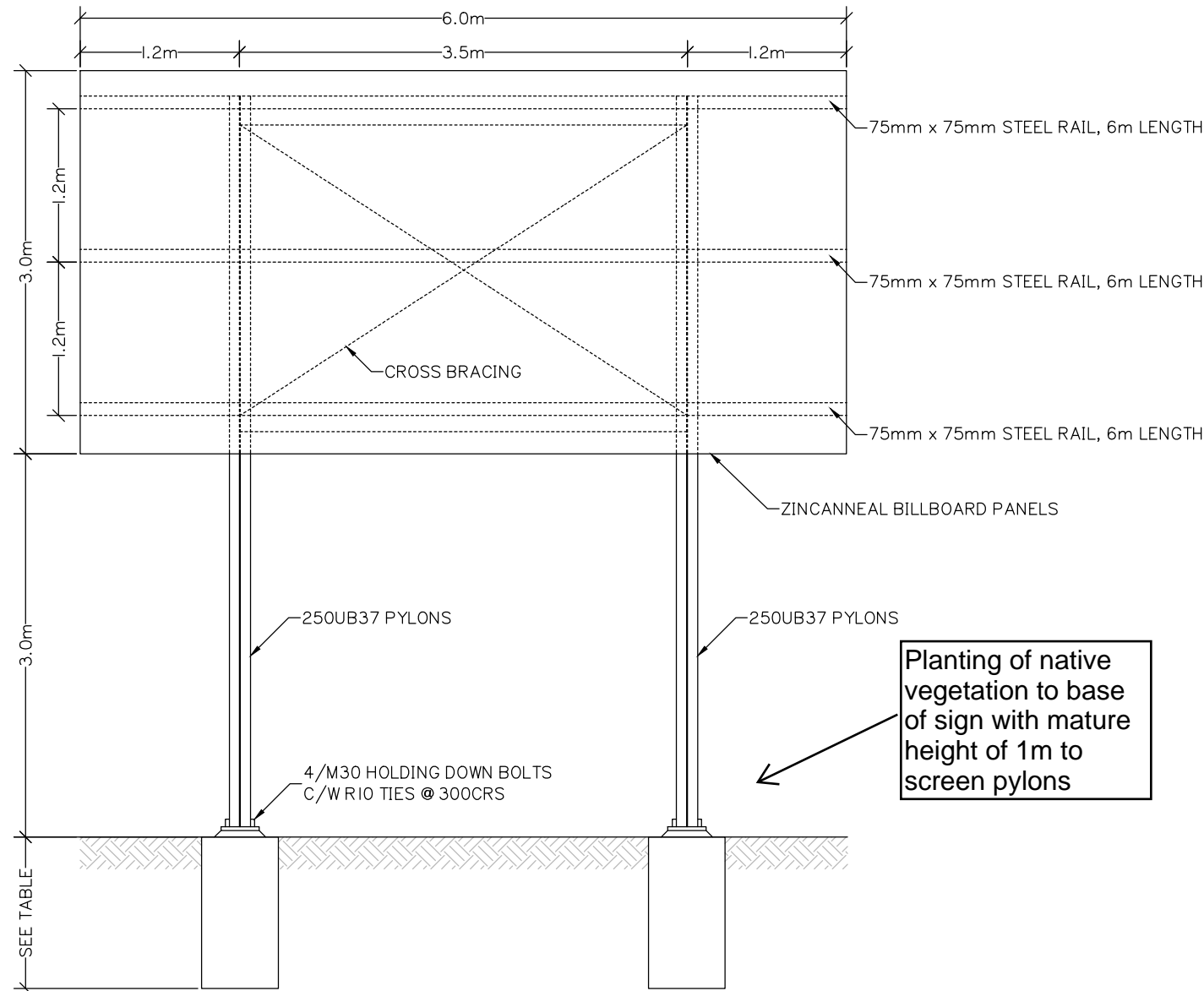


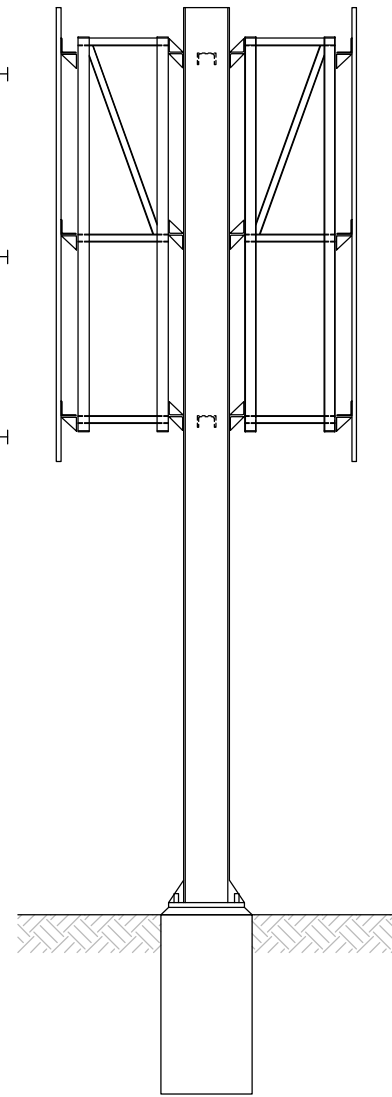
PLAN VIEW
Scale 1:50

PIER DEPTH TABLE	
UNDRAINED SHEAR STRENGTH AS PER SOIL TEST	PIER DEPTH
75KPa - FIRM CLAY	2.0m
20kPa - SOFT CLAY	2.0m
20Kpa - VERY SOFT CLAY	3.0m
SANDY SOILS	3.0m

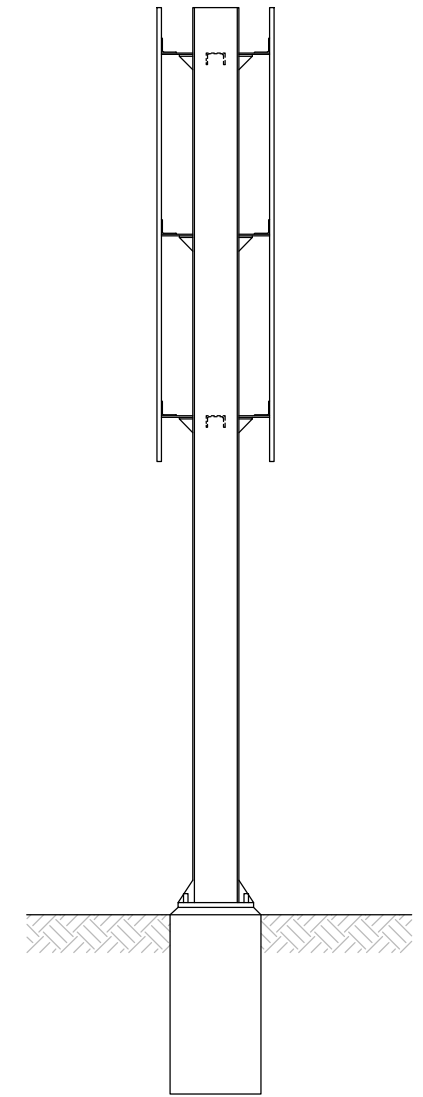
MAIN STEEL FRAME
Steel frame of proposed sign, contains vertical steel columns and horizontal sections, constructed in a rectangular grid with diagonal bracing to support the faces of the sign.



EASTERN / WESTERN ELEVATION
Scale 1:50



SOUTHERN ELEVATION
Scale 1:50



NORTHERN ELEVATION
Scale 1:50

Planting of native vegetation to base of sign with mature height of 1m to screen pylons

Issue	Revision	Int	Date
A	Original issue	AV	30/4/26

